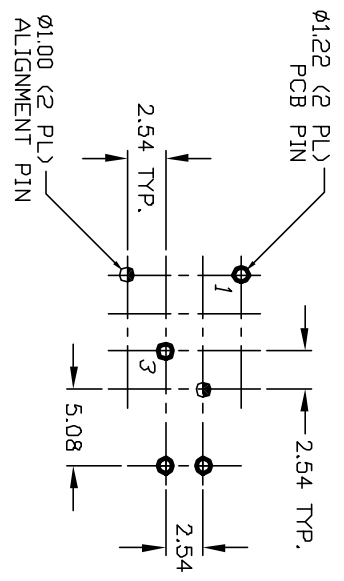
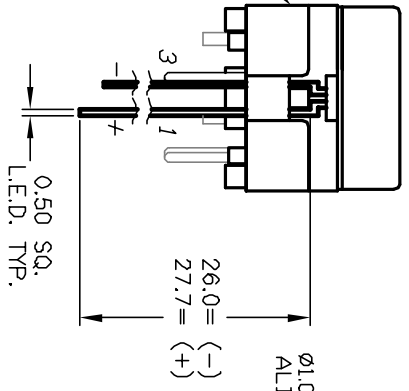
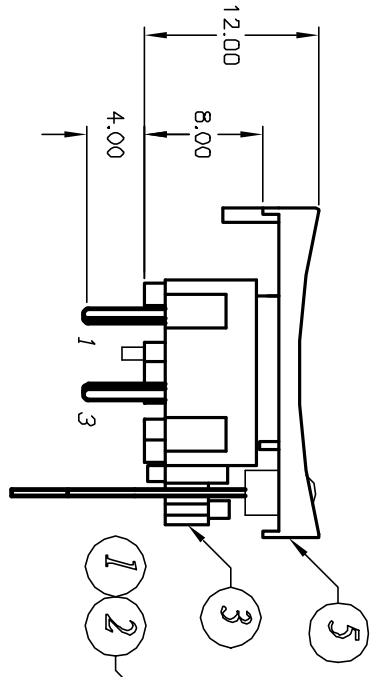
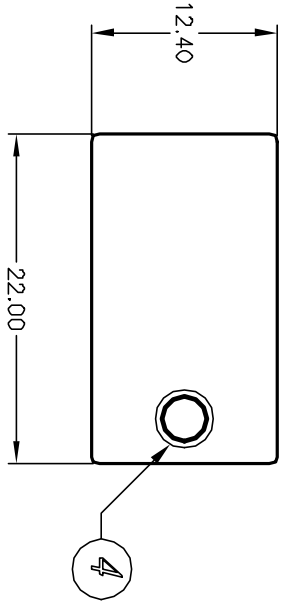
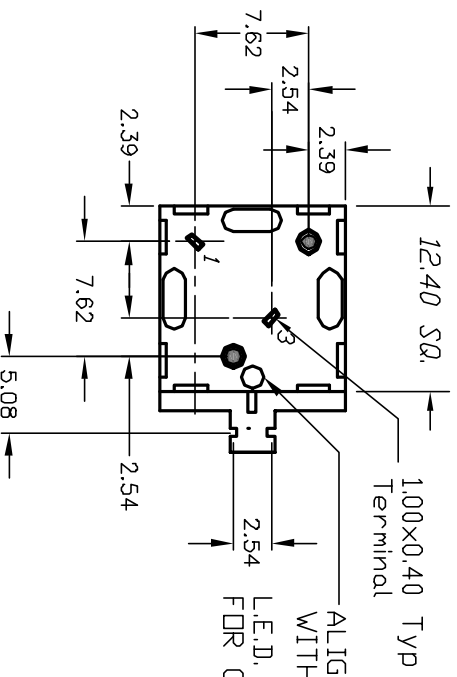


Item	Qty.	Dwg. No.	Part No.
1	1	B01ME11	320 E1-1 BODY
2	1	B050001	320 E1-1 CONTACT
3	1	B070001	320.2 LED HOLDER
4	1	D062008	YEL L.E.D.
5	1	B042002	320.2 CAP GRY



RECOMMENDED P.C.B. LAYOUT



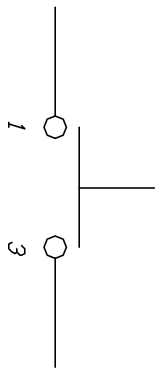
ALIGN LED HOLDER WITH STUD  
L.E.D. SHOWN REMOVED FOR CLARITY

NOTES:

1. ALL DIMENSIONS IN MM
2. GENERAL TOLERANCE: X.X=±0.4  
X.XX=±0.25
3. TERM. NOS. FOR REF. ONLY
4. CONTACT RATING: 25mA/50V DC.
5. TRAVEL: 0.7mm
6. OPERATING FORCE: 120gf.
7. LED SPECIFICATION
- 8: LED SHIPPED BULK

FORWARD VOLTAGE:  $V_f = 2.0V$

CIRCUIT: SPST



REV.	ECN No.	DESCRIPTION	DATE	CHKD
B	12550	ADD BULK TO NOTES/DESC.	1/30/03	CB
A	12550	RELEASED FOR PRODUCTION	1/28/03	CB

TITLE	SCALE	DATE	DR	DWG	REV
320.2 E1-1 GRY (W/YEL LED) -BULK	2:1	--	--	XB07984	B



THE INFORMATION CONTAINED IN THIS DOCUMENT IS PROPRIETARY TO E-SWITCH AND IS NOT TO BE COPIED OR TRANSMITTED