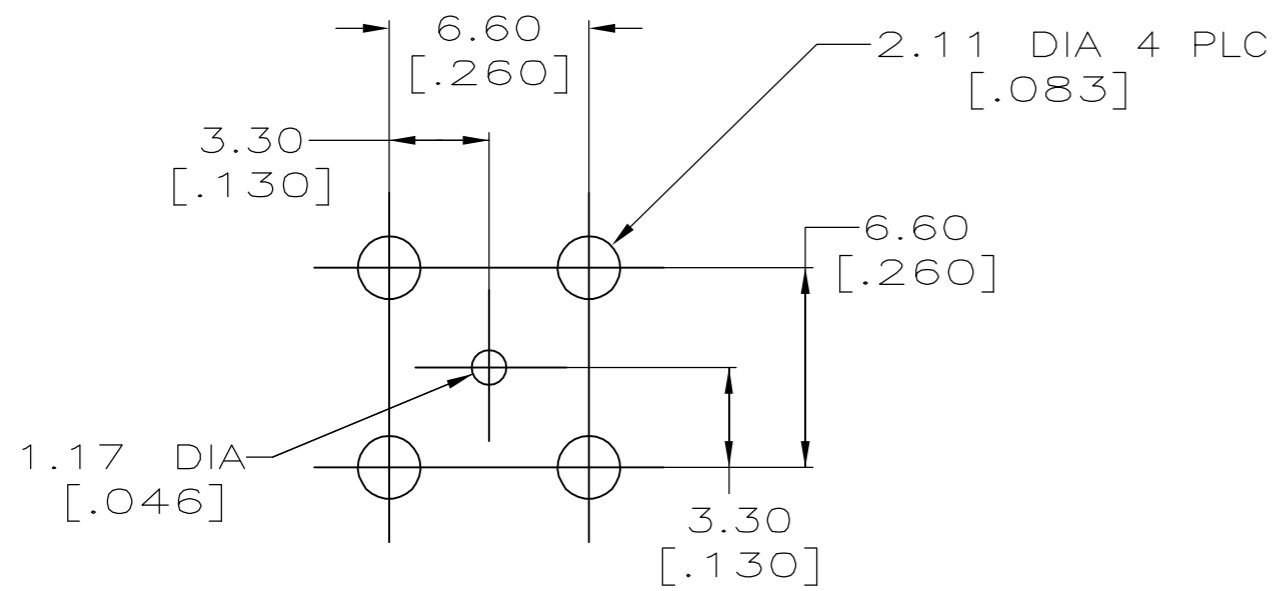
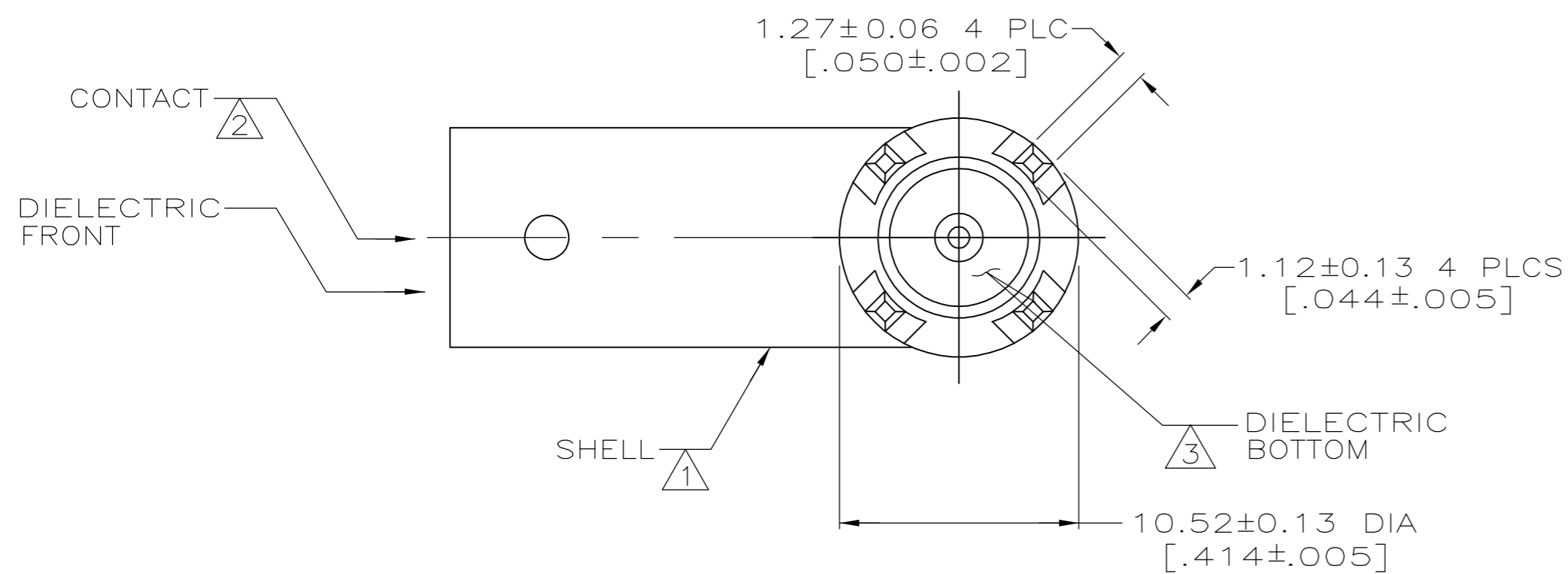
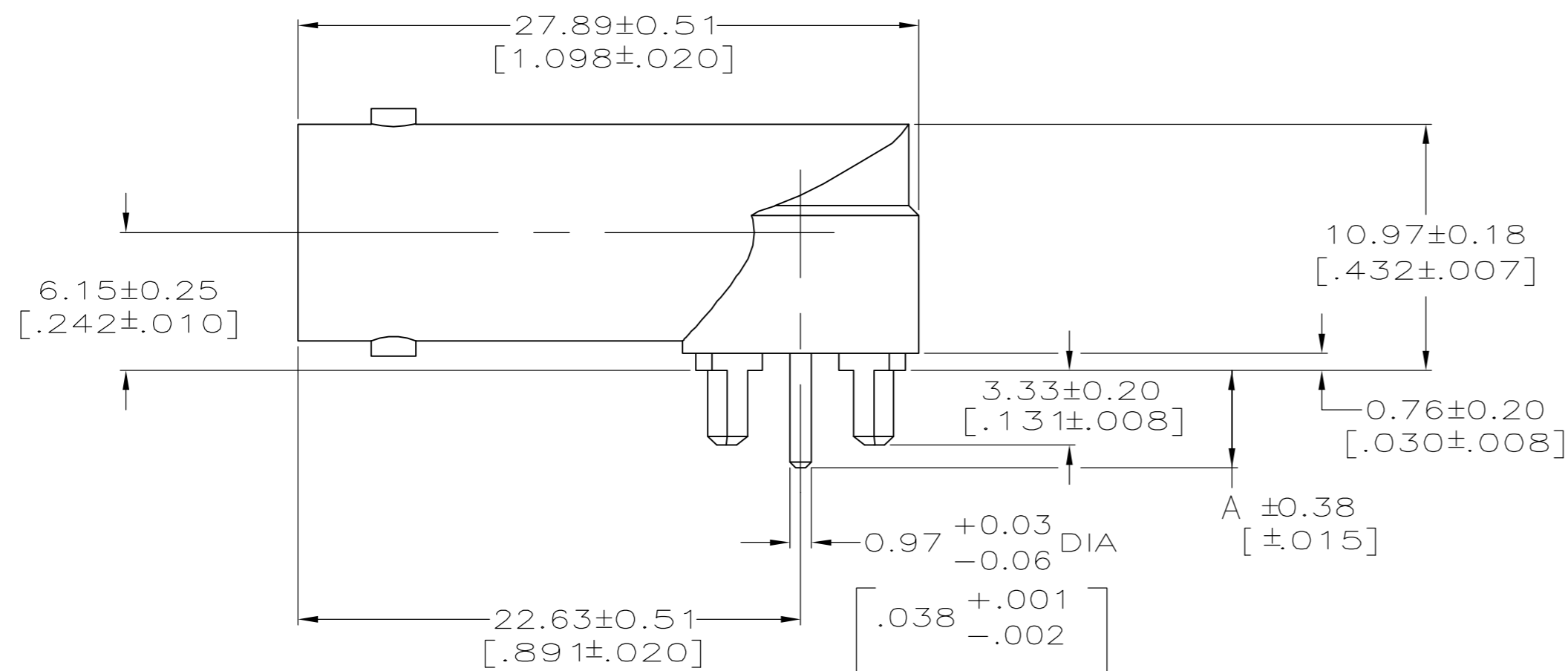


THIS DRAWING IS UNPUBLISHED. RELEASED FOR PUBLICATION
 © COPYRIGHT BY TYCO ELECTRONICS CORPORATION. ALL RIGHTS RESERVED.

LOC	DIST	REVISIONS			
P	LTR	DESCRIPTION	DATE	DWN	APVD
AJ	00	T	REVISED PER ECO 06-024121	1/29/2007	DW JL



PCB CONFIGURATION

- 1 ZINC PER QQ-Z-363.
- 2 BERYLLIUM COPPER PER QQ-C-530.
- 3 PTFE PER MIL-P-19468.
- 4 NICKEL PLATE PER QQ-N-290, 3.81 μm [.000150] MINIMUM THICK.
- 5 TIN-LEAD PLATE PER ASTM-B-545, 3.04 μm [.000120] MINIMUM THICK OVER NICKEL PLATE PER MIL-C-26074, 7.62 μm [.000300] MINIMUM THICK.
- 6 GOLD PLATE PER MIL-G-45204, 1.27 μm [.000050] MINIMUM THICK.
- 7. INTERFACE PER MIL-C-39012.
- 8 GOLD PLATE PER MIL-G-45204, 0.76 μm [.000030] MINIMUM THICK.
- 9 POLYMETHYLPENTENE: GENERAL PURPOSE

OBSOLETE	9	4.34 [.171]	8	4	413558-5
	9	4.34 [.171]	8	5	413558-4
	9	3.33 [.131]	6	4	413558-3
	3	4.34 [.171]	6	5	413558-2
	9	4.34 [.171]	6	4	413558-1
FRONT DIELECTRIC MATERIAL	A		CONTACT FINISH	SHELL FINISH	PART NUMBER

THIS DRAWING IS A CONTROLLED DOCUMENT.		DWN	J. LIPPERT	7-1-91	Tyco Electronics Corporation Harrisburg, PA 17105-3608	
DIMENSIONS: INCHES		CHK	A. GABANY	8-5-91		
TOLERANCES UNLESS OTHERWISE SPECIFIED:		APVD	A. GABANY	8-5-91		
0 PLC ± - 1 PLC ± - 2 PLC ± 0.08 [.003] 3 PLC ± - 4 PLC ± - ANGLES ± - FINISH		NAME JACK, RIGHT ANGLE, PCB, 75 OHM, SERIES BNC				
MATERIAL	SEE NOTES 1-3	WEIGHT	-		SIZE	A2
SEE NOTES 4-6		CUSTOMER DRAWING	SCALE	4:1	CAGE CODE	00779
			DRAWING NO	C=413558	SHEET	1 of 1
			RESTRICTED TO	-	REV	T