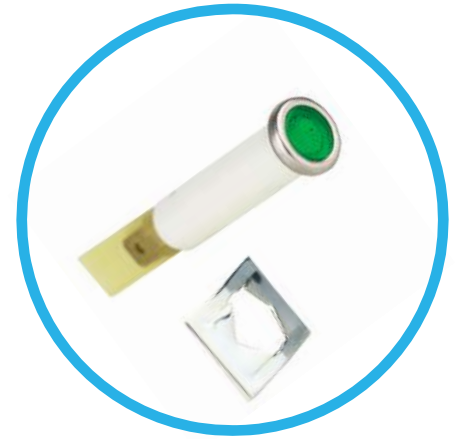




45 and L45 Series Pressfit Indicator Lights for 5/16" diameter Mounting Hole



- PRESSFIT NEON, LED & INCANDESCENT INDICATOR LIGHTS
- 5/16" DIA. MOUNTING HOLE
- WHITE NYLON HOUSING • 1/8" OR 3/16" TAB TERMINALS
- 2 TO 250 DESIGN VOLTS • FLUSH OR HI-HAT LENSES • VARIETY OF COLORS
- UL RECOGNIZED • UL FILE E20356

Overview

The 45 Series Indicators feature a wide variety of lens colors and bezel variations. 45 Series Indicators are designed with 1/8" tab terminals or 3/16" tab terminals. Indicators mount into a 5/16", (7.93mm) mounting hole with a recommended panel thickness of 0.020" minimum. A speed nut, part number **8700091652** is supplied.

Specifications

Housing: white nylon. A black housing is available.

Lens: polycarbonate.

Bezel: zinc plated brass. A black anodized bezel is available.

Incandescent AC or DC voltage options: 6, 14 and 28 volts.

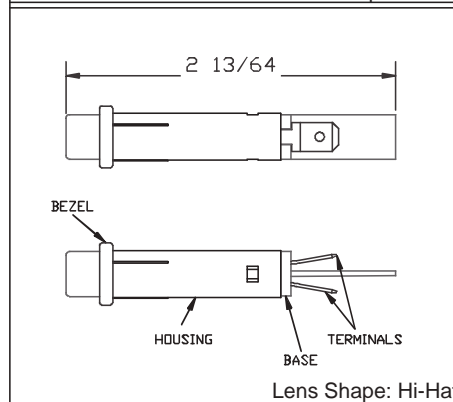
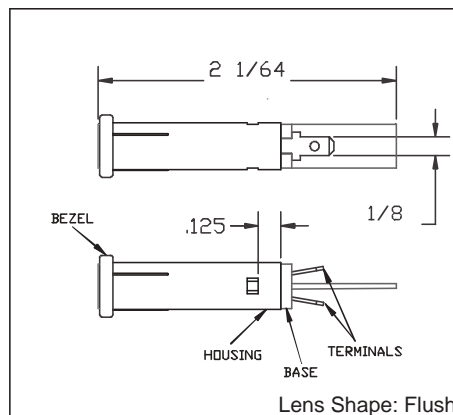
Neon AC or DC voltage options: 125 and 250 volts.
Note: high brightness green and blue neon lamps supplied in green and blue neon applications.

LED DC voltage options: 2, 6, 12, 24.

Terminals:

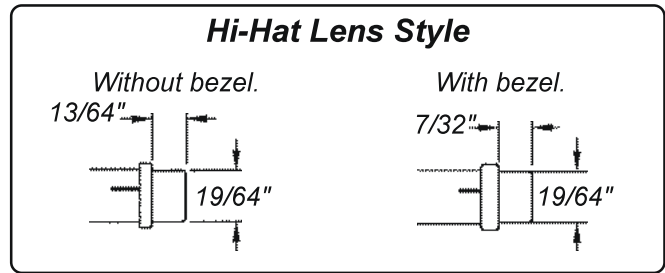
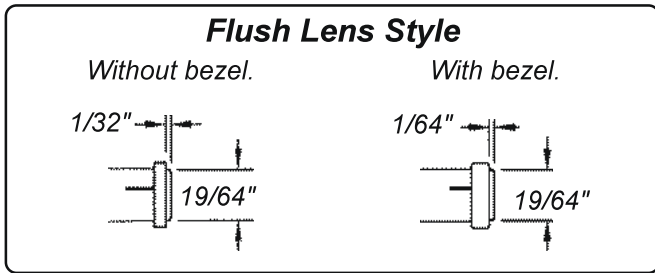
1/8" Tabs: brass, (0.125" width x 0.020" thick).

3/16" Tabs: brass, (0.187" width x 0.020" thick). For LED units, a tin plated terminal denotes the anode (+).

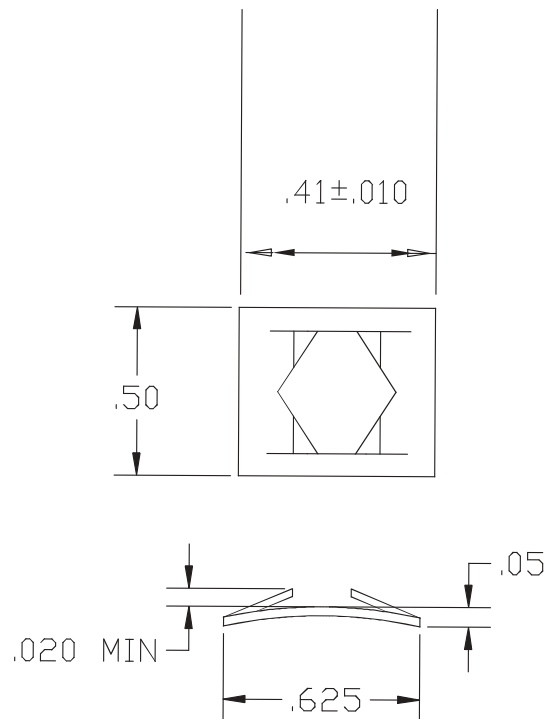
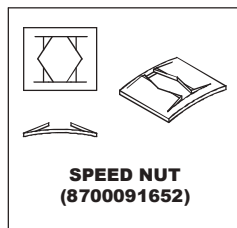


All Dimensions in inches

Product Dimensions



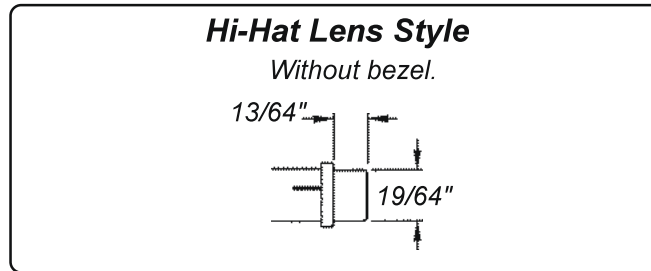
Speed Nut



All Dimensions in inches

Ordering Data

45 SERIES
Units Without Bezels
White Housing
6 to 250 Design Volts
Neon or
Incandescent

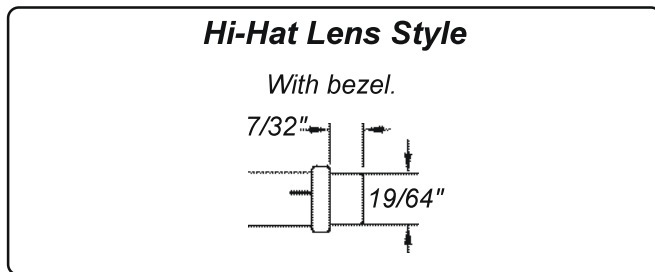


Hi-Hat Lens
Variety of
Lens Colors
1/8" Tab Terminals or
3/16" Tab Terminals
PressFit Mounting

| Part Number 1/8" Tab Terminals | Part Number 3/16" Tab Terminals | Lens Color | Lamp Type | Design Volts | Design Watts or Amps | Life (hrs) |
|-----------------------------------|------------------------------------|------------|--------------|--------------|-------------------------|------------|
| 45N-2111 | 45N-2111T3 | Red | Neon | 125 | 1/3W | 25,000 |
| 45HN-2111 | 45HN-2111T3 | Red | Neon | 250 | 1/3W | 25,000 |
| 45NG1-2111 | 45NG1-2111T3 | Red | Incandescent | 6 | .20A | 5,000 |
| 45NG3-2111 | 45NG3-2111T3 | Red | Incandescent | 14 | .10A | 10,000 |
| 45NG18-2111 | 45NG18-2111T3 | Red | Incandescent | 28 | .04A | 7,000 |
| 45N-2112 | 45N-2112T3 | Green | Neon | 125 | 1/3W | 25,000 |
| 45HN-2112 | 45HN-2112T3 | Green | Neon | 250 | 1/3W | 25,000 |
| 45NG1-2112 | 45NG1-2112T3 | Green | Incandescent | 6 | .20A | 5,000 |
| 45NG3-2112 | 45NG3-2112T3 | Green | Incandescent | 14 | .10A | 10,000 |
| 45NG18-2112 | 45NG18-2112T3 | Green | Incandescent | 28 | .04A | 7,000 |
| 45N-2113 | 45N-2113T3 | Amber | Neon | 125 | 1/3W | 25,000 |
| 45HN-2113 | 45HN-2113T3 | Amber | Neon | 250 | 1/3W | 25,000 |
| 45NG1-2113 | 45NG1-2113T3 | Amber | Incandescent | 6 | .20A | 5,000 |
| 45NG3-2113 | 45NG3-2113T3 | Amber | Incandescent | 14 | .10A | 10,000 |
| 45NG18-2113 | 45NG18-2113T3 | Amber | Incandescent | 28 | .04A | 7,000 |
| 45N-2114 | 45N-2114T3 | Blue | Neon | 125 | 1/3W | 25,000 |
| 45HN-2114 | 45HN-2114T3 | Blue | Neon | 250 | 1/3W | 25,000 |
| 45NG1-2114 | 45NG1-2114T3 | Blue | Incandescent | 6 | .20A | 5,000 |
| 45NG3-2114 | 45NG3-2114T3 | Blue | Incandescent | 14 | .10A | 10,000 |
| 45NG18-2114 | 45NG18-2114T3 | Blue | Incandescent | 28 | .04A | 7,000 |
| 45N-2115 | 45N-2115T3 | White | Neon | 125 | 1/3W | 25,000 |
| 45HN-2115 | 45HN-2115T3 | White | Neon | 250 | 1/3W | 25,000 |
| 45NG1-2115 | 45NG1-2115T3 | White | Incandescent | 6 | .20A | 5,000 |
| 45NG3-2115 | 45NG3-2115T3 | White | Incandescent | 14 | .10A | 10,000 |
| 45NG18-2115 | 45NG18-2115T3 | White | Incandescent | 28 | .04A | 7,000 |
| 45N-2117 | 45N-2117T3 | Clear | Neon | 125 | 1/3W | 25,000 |
| 45HN-2117 | 45HN-2117T3 | Clear | Neon | 250 | 1/3W | 25,000 |
| 45NG1-2117 | 45NG1-2117T3 | Clear | Incandescent | 6 | .20A | 5,000 |
| 45NG3-2117 | 45NG3-2117T3 | Clear | Incandescent | 14 | .10A | 10,000 |
| 45NG18-2117 | 45NG18-2117T3 | Clear | Incandescent | 28 | .04A | 7,000 |

Ordering Data

45 SERIES
Zinc Plated Bezel
White Housing
6 to 250 Design Volts
Neon or
Incandescent



Hi-Hat Lens
Variety of
Lens Colors
1/8" Tab Terminals or
3/16" Tab Terminals
PressFit Mounting

| Part Number 1/8" Tab Terminals | Part Number 3/16" Tab Terminals | Lens Color | Lamp Type | Design Volts | Design Watts or Amps | Life (hrs) |
|-----------------------------------|------------------------------------|------------|--------------|--------------|-------------------------|------------|
| 45RN-2111 | 45RN-2111T3 | Red | Neon | 125 | 1/3W | 25,000 |
| 45HRN-2111 | 45HRN-2111T3 | Red | Neon | 250 | 1/3W | 25,000 |
| 45RNG1-2111 | 45RNG1-2111T3 | Red | Incandescent | 6 | .20A | 5,000 |
| 45RNG3-2111 | 45RNG3-2111T3 | Red | Incandescent | 14 | .10A | 10,000 |
| 45RNG18-2111 | 45RNG18-2111T3 | Red | Incandescent | 28 | .04A | 7,000 |
| 45RN-2112 | 45RN-2112T3 | Green | Neon | 125 | 1/3W | 25,000 |
| 45HRN-2112 | 45HRN-2112T3 | Green | Neon | 250 | 1/3W | 25,000 |
| 45RNG1-2112 | 45RNG1-2112T3 | Green | Incandescent | 6 | .20A | 5,000 |
| 45RNG3-2112 | 45RNG3-2112T3 | Green | Incandescent | 14 | .10A | 10,000 |
| 45RNG18-2112 | 45RNG18-2112T3 | Green | Incandescent | 28 | .04A | 7,000 |
| 45RN-2113 | 45RN-2113T3 | Amber | Neon | 125 | 1/3W | 25,000 |
| 45HRN-2113 | 45HRN-2113T3 | Amber | Neon | 250 | 1/3W | 25,000 |
| 45RNG1-2113 | 45RNG1-2113T3 | Amber | Incandescent | 6 | .20A | 5,000 |
| 45RNG3-2113 | 45RNG3-2113T3 | Amber | Incandescent | 14 | .10A | 10,000 |
| 45RNG18-2113 | 45RNG18-2113T3 | Amber | Incandescent | 28 | .04A | 7,000 |
| 45RN-2114 | 45RN-2114T3 | Blue | Neon | 125 | 1/3W | 25,000 |
| 45HRN-2114 | 45HRN-2114T3 | Blue | Neon | 250 | 1/3W | 25,000 |
| 45RNG1-2114 | 45RNG1-2114T3 | Blue | Incandescent | 6 | .20A | 5,000 |
| 45RNG3-2114 | 45RNG3-2114T3 | Blue | Incandescent | 14 | .10A | 10,000 |
| 45RNG18-2114 | 45RNG18-2114T3 | Blue | Incandescent | 28 | .04A | 7,000 |
| 45RN-2115 | 45RN-2115T3 | White | Neon | 125 | 1/3W | 25,000 |
| 45HRN-2115 | 45HRN-2115T3 | White | Neon | 250 | 1/3W | 25,000 |
| 45RNG1-2115 | 45RNG1-2115T3 | White | Incandescent | 6 | .20A | 5,000 |
| 45RNG3-2115 | 45RNG3-2115T3 | White | Incandescent | 14 | .10A | 10,000 |
| 45RNG18-2115 | 45RNG18-2115T3 | White | Incandescent | 28 | .04A | 7,000 |
| 45RN-2117 | 45RN-2117T3 | Clear | Neon | 125 | 1/3W | 25,000 |
| 45HRN-2117 | 45HRN-2117T3 | Clear | Neon | 250 | 1/3W | 25,000 |
| 45RNG1-2117 | 45RNG1-2117T3 | Clear | Incandescent | 6 | .20A | 5,000 |
| 45RNG3-2117 | 45RNG3-2117T3 | Clear | Incandescent | 14 | .10A | 10,000 |
| 45RNG18-2117 | 45RNG18-2117T3 | Clear | Incandescent | 28 | .04A | 7,000 |

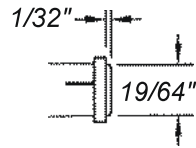
Ordering Data

45 SERIES

Units without Bezels
White Housing
6 to 250 Design Volts
Neon or
Incandescent

Flush Lens Style

Without bezel.

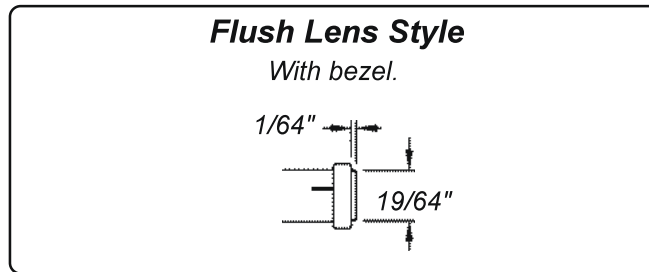


Flush Lens
Variety of
Lens Colors
1/8" Tab Terminals or
3/16" Tab Terminals
PressFit Mounting

| Part Number 1/8" Tab Terminals | Part Number 3/16" Tab Terminals | Lens Color | Lamp Type | Design Volts | Design Watts or Amps | Life (hrs) |
|-----------------------------------|------------------------------------|------------|--------------|--------------|-------------------------|------------|
| 45N-2311 | 45N-2311T3 | Red | Neon | 125 | 1/3W | 25,000 |
| 45HN-2311 | 45HN-2311T3 | Red | Neon | 250 | 1/3W | 25,000 |
| 45NG1-2311 | 45NG1-2311T3 | Red | Incandescent | 6 | .20A | 5,000 |
| 45NG3-2311 | 45NG3-2311T3 | Red | Incandescent | 14 | .10A | 10,000 |
| 45NG18-2311 | 45NG18-2311T3 | Red | Incandescent | 28 | .04A | 7,000 |
| 45N-2312 | 45N-2312T3 | Green | Neon | 125 | 1/3W | 25,000 |
| 45HN-2312 | 45HN-2312T3 | Green | Neon | 250 | 1/3W | 25,000 |
| 45NG1-2312 | 45NG1-2312T3 | Green | Incandescent | 6 | .20A | 5,000 |
| 45NG3-2312 | 45NG3-2312T3 | Green | Incandescent | 14 | .10A | 10,000 |
| 45NG18-2312 | 45NG18-2312T3 | Green | Incandescent | 28 | .04A | 7,000 |
| 45N-2313 | 45N-2313T3 | Amber | Neon | 125 | 1/3W | 25,000 |
| 45HN-2313 | 45HN-2313T3 | Amber | Neon | 250 | 1/3W | 25,000 |
| 45NG1-2313 | 45NG1-2313T3 | Amber | Incandescent | 6 | .20A | 5,000 |
| 45NG3-2313 | 45NG3-2313T3 | Amber | Incandescent | 14 | .10A | 10,000 |
| 45NG18-2313 | 45NG18-2313T3 | Amber | Incandescent | 28 | .04A | 7,000 |
| 45N-2314 | 45N-2314T3 | Blue | Neon | 125 | 1/3W | 25,000 |
| 45HN-2314 | 45HN-2314T3 | Blue | Neon | 250 | 1/3W | 25,000 |
| 45NG1-2314 | 45NG1-2314T3 | Blue | Incandescent | 6 | .20A | 5,000 |
| 45NG3-2314 | 45NG3-2314T3 | Blue | Incandescent | 14 | .10A | 10,000 |
| 45NG18-2314 | 45NG18-2314T3 | Blue | Incandescent | 28 | .04A | 7,000 |
| 45N-2315 | 45N-2315T3 | White | Neon | 125 | 1/3W | 25,000 |
| 45HN-2315 | 45HN-2315T3 | White | Neon | 250 | 1/3W | 25,000 |
| 45NG1-2315 | 45NG1-2315T3 | White | Incandescent | 6 | .20A | 5,000 |
| 45NG3-2315 | 45NG3-2315T3 | White | Incandescent | 14 | .10A | 10,000 |
| 45NG18-2315 | 45NG18-2315T3 | White | Incandescent | 28 | .04A | 7,000 |
| 45N-2317 | 45N-2317T3 | Clear | Neon | 125 | 1/3W | 25,000 |
| 45HN-2317 | 45HN-2317T3 | Clear | Neon | 250 | 1/3W | 25,000 |
| 45NG1-2317 | 45NG1-2317T3 | Clear | Incandescent | 6 | .20A | 5,000 |
| 45NG3-2317 | 45NG3-2317T3 | Clear | Incandescent | 14 | .10A | 10,000 |
| 45NG18-2317 | 45NG18-2317T3 | Clear | Incandescent | 28 | .04A | 7,000 |

Ordering Data

45 SERIES
Zinc Plated Bezel
White Housing
6 to 250 Design Volts
Neon or
Incandescent



Flush Lens
Variety of
Lens Colors
1/8" Tab Terminals
3/16" Tab Terminals
PressFit Mounting

| Part Number 1/8" Tab Terminals | Part Number 3/16" Tab Terminals | Lens Color | Lamp Type | Design Volts | Design Watts or Amps | Life (hrs) |
|-----------------------------------|------------------------------------|------------|--------------|--------------|-------------------------|------------|
| 45RN-2311 | 45RN-2311T3 | Red | Neon | 125 | 1/3W | 25,000 |
| 45HRN-2311 | 45HRN-2311T3 | Red | Neon | 250 | 1/3W | 25,000 |
| 45RNG1-2311 | 45RNG1-2311T3 | Red | Incandescent | 6 | .20A | 5,000 |
| 45RNG3-2311 | 45RNG3-2311T3 | Red | Incandescent | 14 | .10A | 10,000 |
| 45RNG18-2311 | 45RNG18-2311T3 | Red | Incandescent | 28 | .04A | 7,000 |
| 45RN-2312 | 45RN-2312T3 | Green | Neon | 125 | 1/3W | 25,000 |
| 45HRN-2312 | 45HRN-2312T3 | Green | Neon | 250 | 1/3W | 25,000 |
| 45RNG1-2312 | 45RNG1-2312T3 | Green | Incandescent | 6 | .20A | 5,000 |
| 45RNG3-2312 | 45RNG3-2312T3 | Green | Incandescent | 14 | .10A | 10,000 |
| 45RNG18-2312 | 45RNG18-2312T3 | Green | Incandescent | 28 | .04A | 7,000 |
| 45RN-2313 | 45RN-2313T3 | Amber | Neon | 125 | 1/3W | 25,000 |
| 45HRN-2313 | 45HRN-2313T3 | Amber | Neon | 250 | 1/3W | 25,000 |
| 45RNG1-2313 | 45RNG1-2313T3 | Amber | Incandescent | 6 | .20A | 5,000 |
| 45RNG3-2313 | 45RNG3-2313T3 | Amber | Incandescent | 14 | .10A | 10,000 |
| 45RNG18-2313 | 45RNG18-2313T3 | Amber | Incandescent | 28 | .04A | 7,000 |
| 45RN-2314 | 45RN-2314T3 | Blue | Neon | 125 | 1/3W | 25,000 |
| 45HRN-2314 | 45HRN-2314T3 | Blue | Neon | 250 | 1/3W | 25,000 |
| 45RNG1-2314 | 45RNG1-2314T3 | Blue | Incandescent | 6 | .20A | 5,000 |
| 45RNG3-2314 | 45RNG3-2314T3 | Blue | Incandescent | 14 | .10A | 10,000 |
| 45RNG18-2314 | 45RNG18-2314T3 | Blue | Incandescent | 28 | .04A | 7,000 |
| 45RN-2315 | 45RN-2315T3 | White | Neon | 125 | 1/3W | 25,000 |
| 45HRN-2315 | 45HRN-2315T3 | White | Neon | 250 | 1/3W | 25,000 |
| 45RNG1-2315 | 45RNG1-2315T3 | White | Incandescent | 6 | .20A | 5,000 |
| 45RNG3-2315 | 45RNG3-2315T3 | White | Incandescent | 14 | .10A | 10,000 |
| 45RNG18-2315 | 45RNG18-2315T3 | White | Incandescent | 28 | .04A | 7,000 |
| 45RN-2317 | 45RN-2317T3 | Clear | Neon | 125 | 1/3W | 25,000 |
| 45HRN-2317 | 45HRN-2317T3 | Clear | Neon | 250 | 1/3W | 25,000 |
| 45RNG1-2317 | 45RNG1-2317T3 | Clear | Incandescent | 6 | .20A | 5,000 |
| 45RNG3-2317 | 45RNG3-2317T3 | Clear | Incandescent | 14 | .10A | 10,000 |
| 45RNG18-2317 | 45RNG18-2317T3 | Clear | Incandescent | 28 | .04A | 7,000 |

Ordering Data

L45 SERIES
LED Indicator Lights
Zinc Plated Bezel
White Housing
2 to 24 Design Volts
PressFit Mounting



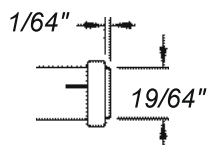
**Hi-Hat Lens or
 Flush Lens
 Variety of
 Lens Colors
 3/16" Tab Terminals
 5/16" Mounting Hole**

| Part Number With Hi-Hat Lens 3/16" Tab Terminals | Part Number With Flush Lens 3/16" Tab Terminals | Lens Color | DC Design Volts |
|---|--|------------|-----------------|
| L45RN-A2-2113 | L45RN-A2-2313 | Amber | 2 |
| L45RN-A6-2113 | L45RN-A6-2313 | Amber | 6 |
| L45RN-A12-2113 | L45RN-A12-2313 | Amber | 12 |
| L45RN-A24-2113 | L45RN-A24-2313 | Amber | 24 |
| L45RN-G2-2112 | L45RN-G2-2312 | Green | 2 |
| L45RN-G6-2112 | L45RN-G6-2312 | Green | 6 |
| L45RN-G12-2112 | L45RN-G12-2312 | Green | 12 |
| L45RN-G24-2112 | L45RN-G24-2312 | Green | 24 |
| L45RN-R2-2111 | L45RN-R2-2311 | Red | 2 |
| L45RN-R6-2111 | L45RN-R6-2311 | Red | 6 |
| L45RN-R12-2111 | L45RN-R12-2311 | Red | 12 |
| L45RN-R24-2111 | L45RN-R24-2311 | Red | 24 |
| L45RN-Y2-2116 | L45RN-Y2-2316 | Yellow | 2 |
| L45RN-Y6-2116 | L45RN-Y6-2316 | Yellow | 6 |
| L45RN-Y12-2116 | L45RN-Y12-2316 | Yellow | 12 |
| L45RN-Y24-2116 | L45RN-Y24-2316 | Yellow | 24 |

Polarity Determination - Tab Terminals: One tab terminal is tin plated to denote anode (+); one tab terminal is unplated to designate the cathode (-).

Flush Lens Style

With bezel.



Hi-Hat Lens Style

With bezel.

