

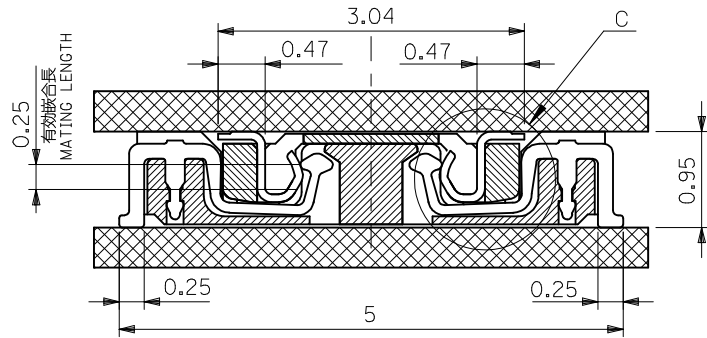
注記
NOTES

- 材質 MATERIAL
ハウジング : 液晶ポリマー-UL94V-0
HOUSING : LIQUID CRYSTAL POLYMER [LCP]
UL94V-0
ターミナル : 銅合金
TERMINAL : COPPER ALLOY
ネール : 銅合金
NAIL : COPPER ALLOY
- メッキ仕様 PLATING
接点部 : 金メッキ 0.1µm
CONTACT AREA : GOLD PLATING 0.1µm
半田付け部 : 金メッキ 0.1µm
SOLDER TAIL AREA : GOLD PLATING 0.1µm
下地メッキ : ニッケルメッキ 1.0µm
UNDER PLATING : NICKEL PLATING 1.0µm
ネール : 錫メッキ 1.0µmMIN.
NAIL : TIN PLATING 1.0µmMIN.
下地メッキ : ニッケルメッキ 1.0µmMIN.
UNDER PLATING : NICKEL PLATING 1.0µmMIN.
- テール及びネールの平坦度は0.1以下
TAIL AND NAIL COPLANARITY : 0.1 MAX.
- 嵌合相手 : 500024 シリーズ。
MATE WITH : 500024 SERIES.
- 本製品は 500027-***29 の鉛フリー品である。
THIS PRODUCT IS LEAD FREE OF 500027-***29.

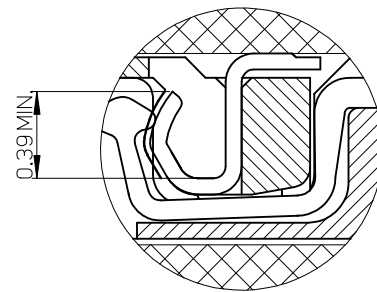
13.7	11.6	500027-6041	X	X	60
9.7	7.6	500027-4041	X	O	40
5.7	3.6	500027-2041	O	X	20
A	B	EMBOSSED TAPE PACKAGE オーダー番号 ORDER NO.	LOCK	NOTCH	極数 CIRCUITS

CONNECTOR SERIES No. : 500027-***49

REVISED EC NO: J2014-1542 DRWN:YSATO06 2014/04/10 CHKD:TASAKAWA 2014/04/17 APPR:TASAKAWA 2014/04/18	GENERAL TOLERANCES (UNLESS SPECIFIED)		DIMENSION STYLE MM ONLY	SCALE ---	DESIGN UNITS METRIC	THIRD ANGLE PROJECTION
	10 UNDER	±0.2	DRAWN BY M.NABEI	DATE '05/01/27	TITLE 0.4MM B/B CONN. H=0.95 PLUG HS'G ASS'Y -LEAD FREE-	
	10 OVER 30 UNDER	±0.25	CHECKED BY K.TOJO	DATE '05/01/27		
	30 OVER	±0.3	APPROVED BY N.UKITA	DATE '05/01/27		
ANGULAR	±1 °	MATERIAL NO. SEE CHART		DOCUMENT NO. SD-500027-028	SHEET NO. 1 OF 2	
DRAFT WHERE APPLICABLE MUST REMAIN WITHIN DIMENSIONS		SIZE A3	THIS DRAWING CONTAINS INFORMATION THAT IS PROPRIETARY TO MOLEX INCORPORATED AND SHOULD NOT BE USED WITHOUT WRITTEN PERMISSION			



嵌合断面図 (参考)
MATED DRAWING

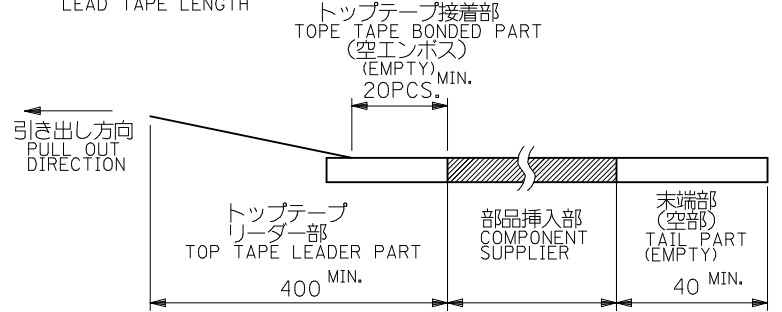
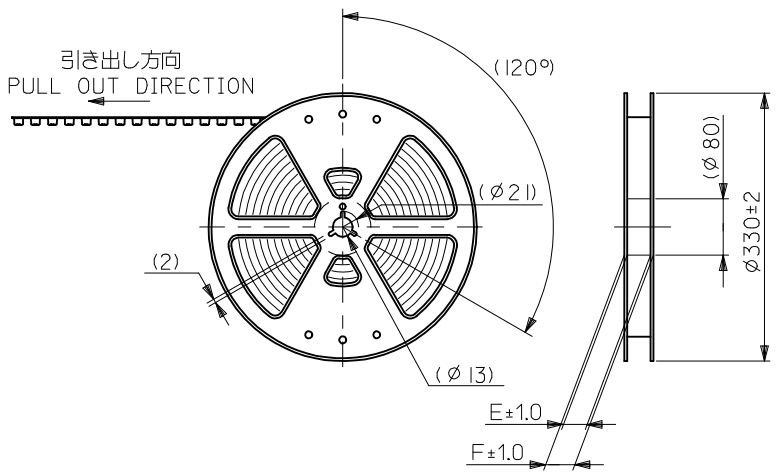


DETAIL C
GOLD PLATED AREA
ON CONTACT

REVISED EC NO: J2014-1542 DRWN: YSATO06 2014/04/10 CHKD: TASAKAWA 2014/04/17 APPR: TASAKAWA 2014/04/18	GENERAL TOLERANCES (UNLESS SPECIFIED)		DIMENSION STYLE MM ONLY	SCALE ---	500027-**49	MODEL NO.
	10 UNDER	±0.2	DRAWN BY M. NABEI	DATE '05/01/27	DESIGN UNITS METRIC	THIRD ANGLE PROJECTION
	10 OVER 30 UNDER	±0.25	CHECKED BY K. TOJO	DATE '05/01/27	0.4MM B/B CONN. H=0.95 PLUG HS'G ASS'Y -LEAD FREE-	
	30 OVER	±0.3	APPROVED BY N. UKITA	DATE '05/01/27		
ANGULAR ±1 °	DRAFT WHERE APPLICABLE MUST REMAIN WITHIN DIMENSIONS	MATERIAL NO. SEE CHART	DOCUMENT NO. SD-500027-028	SHEET NO. 2 OF 2		
		SIZE A3	THIS DRAWING CONTAINS INFORMATION THAT IS PROPRIETARY TO MOLEX INCORPORATED AND SHOULD NOT BE USED WITHOUT WRITTEN PERMISSION			

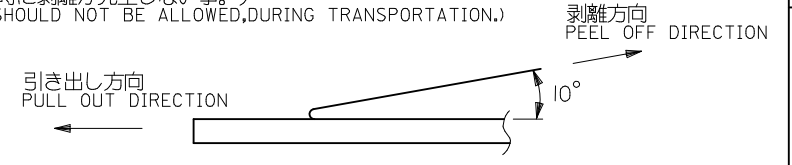
注)
NOTES

1. 製品番号 500027-**49 詳細寸法については、製品単体図面を参照下さい。
IN THE PACKAGE PART NUMBER 500027-**49 DETAILED DIMENSIONS, SEE SALES DRAWING FOR CONNECTOR.
2. 梱包数量：2000個/リール
NUMBER OF CONNECTORS：2000 PCS/REEL.
3. リードテープ長さ
LEAD TAPE LENGTH



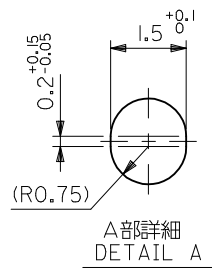
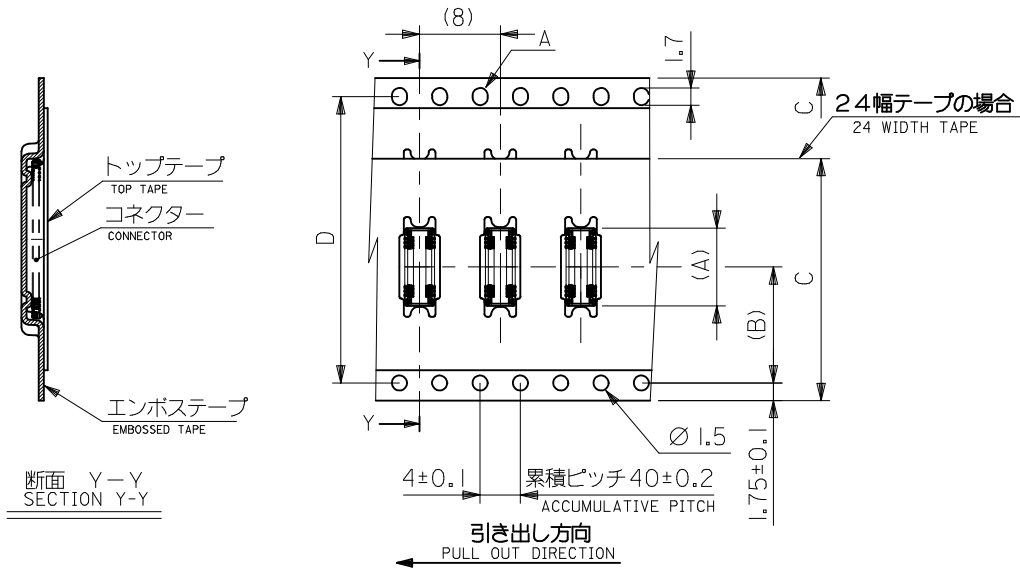
4. トップテープの剥離強度：(剥離方向は下図参照)
PEELING OFF FORCE OF TOP TAPE (PELLING DIRECTION AS SHOWN IN FOLLOWING FIGURE.)
0. 1~1. 3N (10~130gf)

尚、本規格値は、出荷時に適用。
THIS REQUIREMENT SHOULD BE APPLIED AT SHIPMENT.
(但し、輸送時に剥離が発生しない事。)
(PEEL OFF SHOULD NOT BE ALLOWED, DURING TRANSPORTATION.)



5. 材料
MATERIAL
キャリアテープ：ポリプロピレン (PP)
CARRIER TAPE: POLYPROPYLENE (PP)
トップテープ：PET, PE, PEF
TOP TAPE: PET, PE, PEF
リール：ポリスチレン
REEL: POLYSTYRENE
6. 本製品は 500027-**21 の鉛フリー品である。
THIS PRODUCT IS LEAD FREE OF 500027-**21.

REVISED EC NO: J2014-1542 DRWN: YSATO06 2014/04/10 CHKD: TASAKAWA 2014/04/17 APPR: TASAKAWA 2014/04/18	DESCRIPTION REV	GENERAL TOLERANCES (UNLESS SPECIFIED)		DIMENSION STYLE MM ONLY		SCALE ---	500027-**41	MODEL NO.
		10 UNDER ±0.2		DRAWN BY DATE M. NABEI '05/01/27		TITLE	DESIGN UNITS METRIC	THIRD ANGLE PROJECTION
		10 OVER 30 UNDER ±0.25		CHECKED BY DATE K. TOJO '05/01/27		500027-**49 TAPING PACKAGE -LEAD FREE-		
		30 OVER ±0.3		APPROVED BY DATE N. UKITA '05/01/27			molex	
ANGULAR ±1 °		MATERIAL NO.		DOCUMENT NO.	SHEET NO.			
DRAFT WHERE APPLICABLE MUST REMAIN WITHIN DIMENSIONS		SIZE A3		SEE CHART		SD-500027-029		1 OF 2
THIS DRAWING CONTAINS INFORMATION THAT IS PROPRIETARY TO MOLEX INCORPORATED AND SHOULD NOT BE USED WITHOUT WRITTEN PERMISSION								



37.4	33.4	28.4	32±0.3	14.2	13.7	500027-6041	60
29.4	25.4	x	24±0.3	11.5	9.7	500027-4041	40
29.4	25.4	x	24±0.3	11.5	5.7	500027-2041	20
F	E	D	C	B	A	MATERIAL NO.	極数 CIRCUITS

MODEL No. : 500027-***41

REVISED EC NO: J2014-1542 DRWN: YSATO06 2014/04/10 CHKD: TASAKAWA 2014/04/17 APPR: TASAKAWA 2014/04/18	GENERAL TOLERANCES (UNLESS SPECIFIED)		DIMENSION STYLE MM ONLY		SCALE ---		DESIGN UNITS METRIC		THIRD ANGLE PROJECTION		
	10 UNDER	±0.2	DRAWN BY	DATE	TITLE						
	10 OVER 30 UNDER	±0.25	M. NABEI	'05/01/27	500027-***49 TAPING PACKAGE -LEAD FREE- molex						
	30 OVER	±0.3	K. TOJO	'05/01/27							
ANGULAR ±1 °		APPROVED BY		DATE	DOCUMENT NO.						
DRAFT WHERE APPLICABLE MUST REMAIN WITHIN DIMENSIONS		N. UKITA		'05/01/27	SD-500027-029						
		MATERIAL NO.		SEE CHART						SHEET NO. 2 OF 2	
		SIZE A3		THIS DRAWING CONTAINS INFORMATION THAT IS PROPRIETARY TO MOLEX INCORPORATED AND SHOULD NOT BE USED WITHOUT WRITTEN PERMISSION							