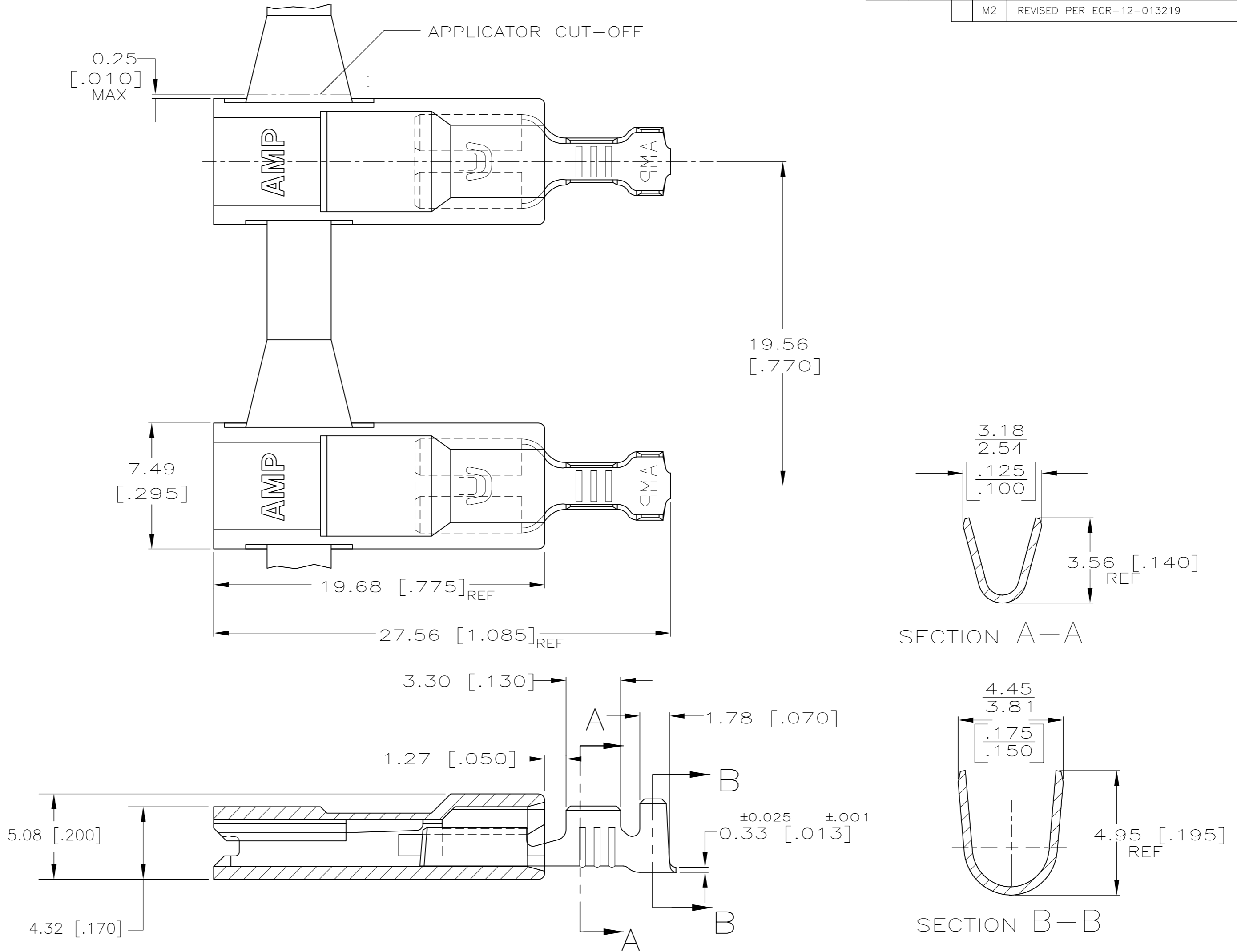


THIS DRAWING IS UNPUBLISHED. RELEASED FOR PUBLICATION
 © COPYRIGHT - By - ALL RIGHTS RESERVED.

LOC	DIST	REVISIONS			
P	LTR	DESCRIPTION	DATE	DWN	APVD
AF	50	M2	REVISED PER ECR-12-013219	08JAN13	KH KR



1 FASTON TERMINALS, BASE P/N 63653, ARE USED IN THIS PRODUCT.

2 TIN PLATE PER MIL-T-10727 .002032 [.000080] MIN.

3 MATERIAL: HOUSING - 6/6 NYLON
TERMINAL - BRASS

4 FINISH: HOUSING - COLOR, NATURAL
TERMINAL - SEE TABLE

OBSOLETE	BULK	TIN	2	2.29-3.30 [.090-.130] DIA	0.5-1.3 mm ² [20-16]	0.508 [.020]	5-520973-2
OBSOLETE	BULK	PLAIN	2				5-520973-1
	STANDARD	TIN	2				520973-2
	STANDARD	PLAIN	2				520973-1
	PACKAGING	TERMINAL FINISH		INSULATION RANGE	WIRE SIZE	MATING TAB THK ±0.025 [±.001]	PART NO.

THIS DRAWING IS A CONTROLLED DOCUMENT.		DWN	JR RUTH	3/20/90	 TE Connectivity ASSEMBLY, RECEPTACLE, ULTRA-POD, 4.8 [187] SERIES	
DIMENSIONS: mm [INCHES]		CHK	MS FEHER	3/20/90		
TOLERANCES UNLESS OTHERWISE SPECIFIED:		APVD	R KUZO	3/20/90		
0 PLC ± -		PRODUCT SPEC	108-1285			
1 PLC ± -		APPLICATION SPEC	114-2124		SIZE	A2
2 PLC ± -					CAGE CODE	00779
3 PLC ± 0.25 [.010]					DRAWING NO	C=520973
4 PLC ± -					RESTRICTED TO	-
ANGLES ± -					SCALE	5:1
FINISH					SHEET	1 of 1
3					REV	M2
4					CUSTOMER DRAWING	