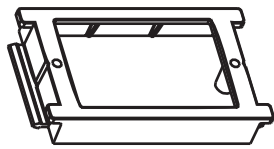
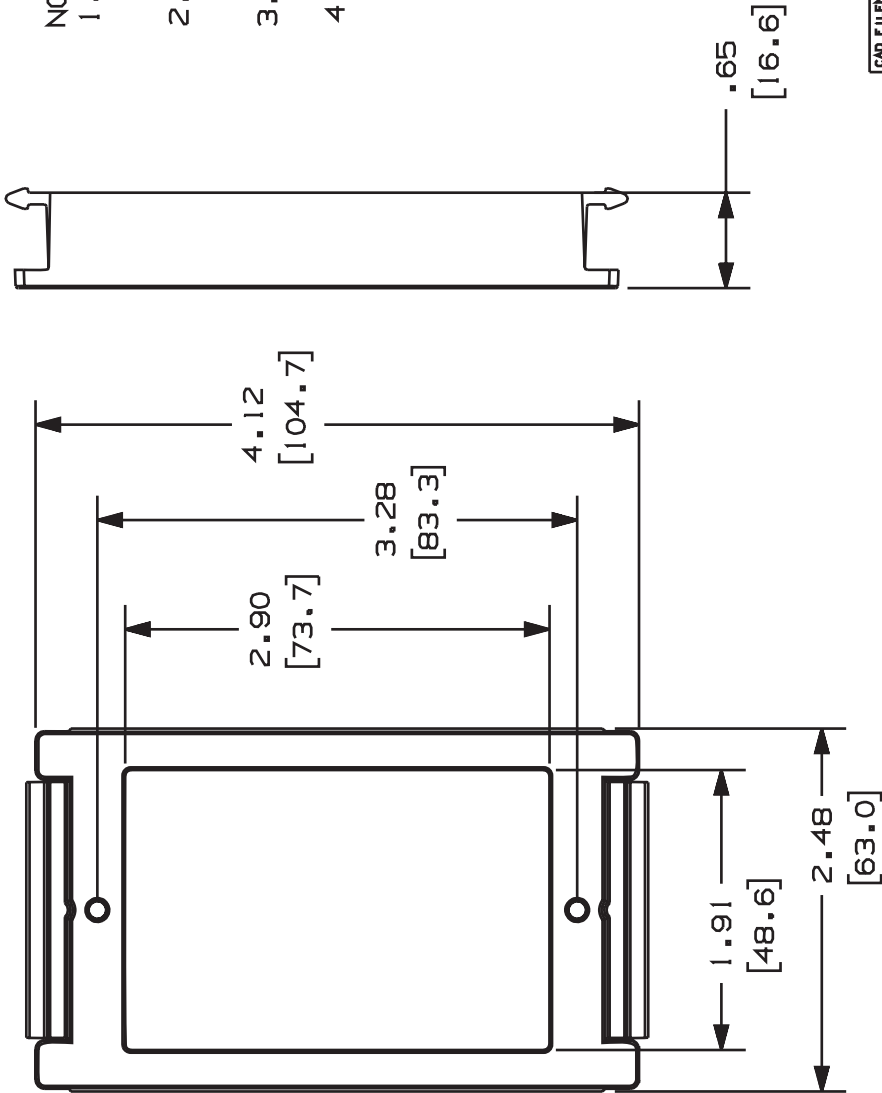


THIS COPY IS PROVIDED ON A RESTRICTED BASIS AND IS NOT TO BE USED IN ANY WAY DETRIMENTAL TO THE INTERESTS OF PANDUIT CORP.

PANDUIT P/N	WEIGHT
T130DBV	.6 LB/10 PCS (242 g/10 PCS)



NOTES:

- SEE CURRENT CATALOG FOR ADDITIONAL PART SUFFIXES TO INDICATE COLOR AND OR PACKAGE QUANTITY.
- THE T130DBV IS USED FOR MOUNTING NEMA STANDARD ELECTRICAL RECEPTACLES INCLUDING GFCI.
- THE T130DBV IS MOUNTED ONLY TO SLOTS ON THE T130 RACEWAY WALL.
- DIMENSIONS IN PARENTHESES ARE IN METRIC.

CAD FILE NAME/LAYERS

D36728BG\_DC\_T130DBV\_01

PANDUIT

CORP. TINLEY PARK, ILLINOIS

PAN-WAY T130 VERTICAL DEVICE BRACKET(T130DBV) CUSTOMER DRAWING

UNLESS OTHERWISE SPECIFIED, DIMENSIONAL TOLERANCES ARE:  
(.X) ±.031(.8) ANGLES ±

UNLESS OTHERWISE SPECIFIED, ALL DIMENSIONS ARE GIVEN IN INCHES, THIRD ANGLE PROJECTION.

DRAWN BY	DW	MAT'L:	NONE
DATE	3-25-98		
CHECKED BY	HIW		

	PVC

DWG	36728-06
SIZE	A

ECN	36728-06	CHK	CUST	SUP
	36728-06	HIW	HIW	

DESCRIPTION	A. REVISED MATERIAL AND WEIGHT. RELEASED TO PRODUCTION.
-------------	--

REV	DATE	BY	CHK
1	7/8/99	DW	
R	3-25-98	DW	HIW

ECN	36728-06
-----	----------