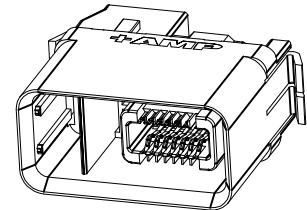
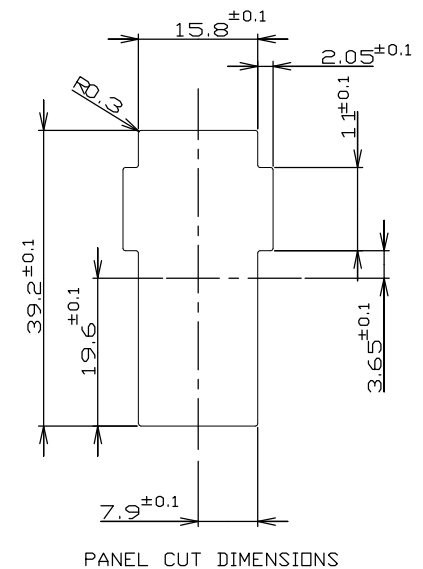
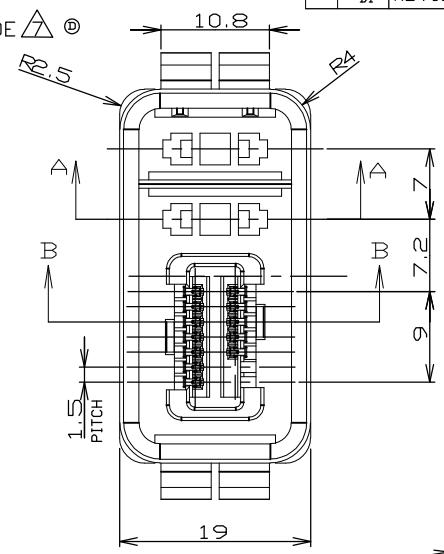
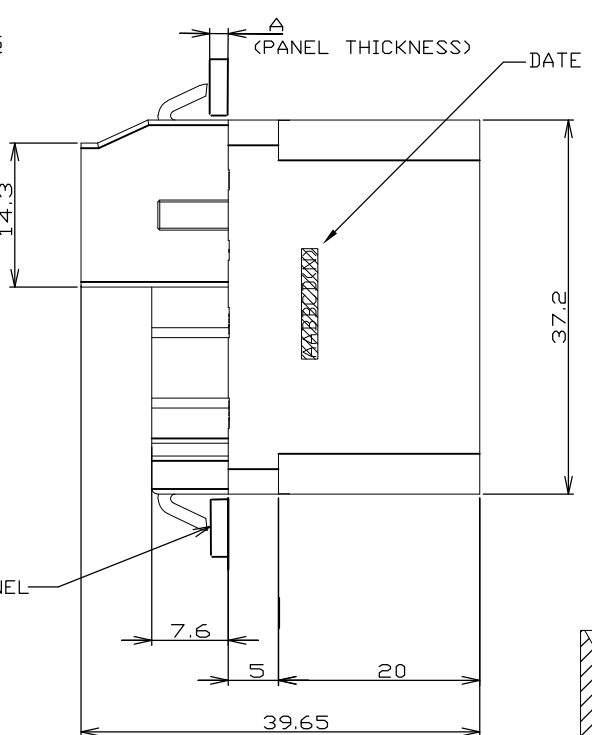
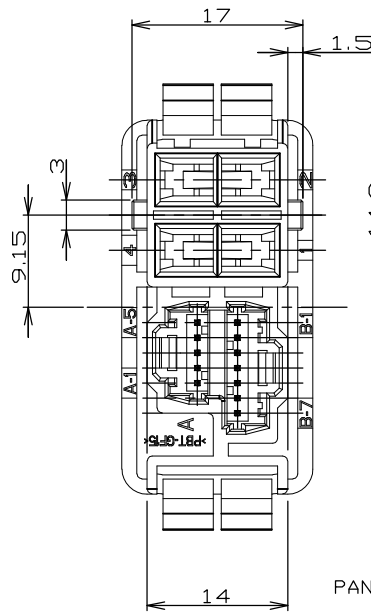
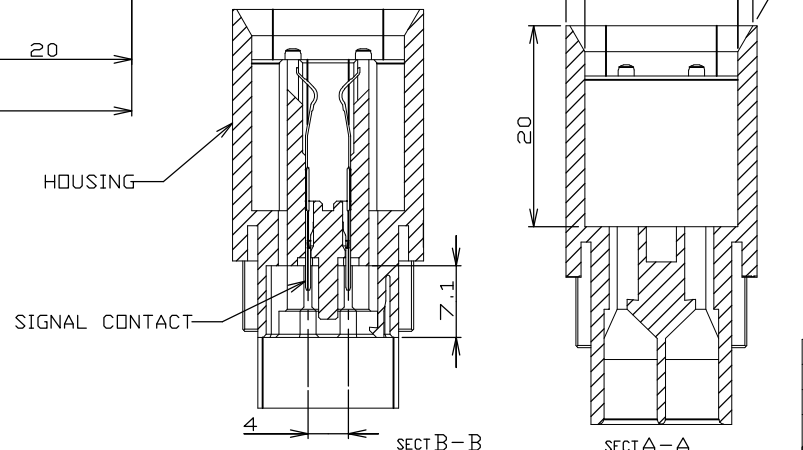


P	LTR	DESCRIPTION	DATE	DWN	APVD
	D1	REVISED ECR-07-028230	26NOV07	A.L	S.Y



SCALE 6:5



NOTES:  
 ① USE WITH MTR REC CONN P/N: X-353293-X  
 CRIMP HSG P/N: X-353908-X  
 CRIMP CNT P/N: 353907-1  
 353918-1(L/P)

2. APPLICABLE POWER CONTACT P/N

FINISH	AWG	STRIP	LOOSE PIECE
GOLD	#16-20	179321-3	
PLT	#20-24	179322-3	
TIN	#16-20	179321-2	
PLT	#20-24	179322-2	

△ NUMBER OF POWER CONTACT (UNASSEMBLED)  
 △ NUMBER OF SIGNAL CONTACT (ASSEMBLED)  
 6. MATING COUNTER P/N: X-84684-X, X-292242-X.  
 △ LOCATION OF DATE CODE (PRINTED BY HOT-BAR):  
 AABBCD(N)  
 (AA: YEAR, BB: WEEK, C: DAY OF WEEK,  
 D: DAYTIME, N: NIGHT)

△ MATERIAL:  
 HOUSING: PBT GF. UL94V-0 COLOR: BLACK  
 SIGNAL CONTACT: PHOSPHOR BRONZE  
 FINISH:  
 CONTACT: NICKEL UNDERPLATE ALL OVER  
 CONTACT AREA: GOLD PLATE.  
 POST AREA: MATTE TIN PLATE.

THIS DRAWING IS A CONTROLLED DOCUMENT FOR TYCO ELECTRONICS CORPORATION  
 IT IS SUBJECT TO CHANGE AND THE CONTROL-LINE ENGINEERING ORGANIZATION  
 SHOULD BE CONTACTED FOR THE LATEST REVISION.

DIMENSIONS	TOLERANCES UNLESS OTHERWISE SPECIFIED:
mm	0 PLC ±
	1 PLC ±0.25
	2 PLC ±0.25
	3 PLC ±0.25
	4 PLC ±0.25
	ANGLES ±3°
MATERIAL	FINISH
SEE NOTE △	SEE NOTE △

DWN	S.XU	31JAN03
CHK	S.YAD	31JAN03
APVD	T.SASAKI	31JAN03
PRODUCT SPEC	108-60027	
APPLICATION SPEC	114-5182	
WEIGHT		
CUSTOMER DRAWING		

1.0 ±0.1	4-12	-
1.2 ±0.1	4-12	-
2.0 ±0.1	4-12	1-292241-2
DIM "A" (PANEL THICKNESS)	Pos. △ (P-S)	P/N

**Tyco Electronics** Tyco Electronics Corporation  
Shanghai, PRC

NAME: PLUG ASS'Y FOR 1.5mm PITCH MINI CT SNAP-FIT HYBRID DRAWER CONNECTOR

SIZE	CAGE CODE	DRAWING NO	RESTRICTED TO
A3	00779	292241	

SCALE: 2:1 SHEET 1 OF 1 REV D1