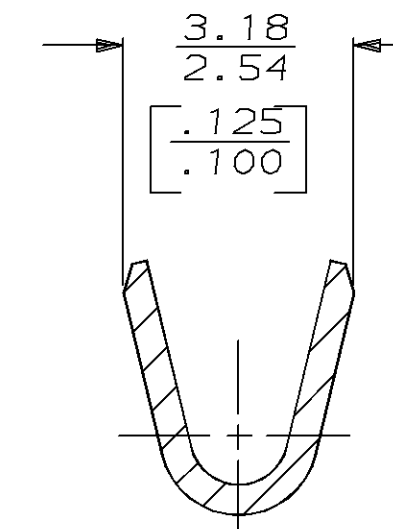
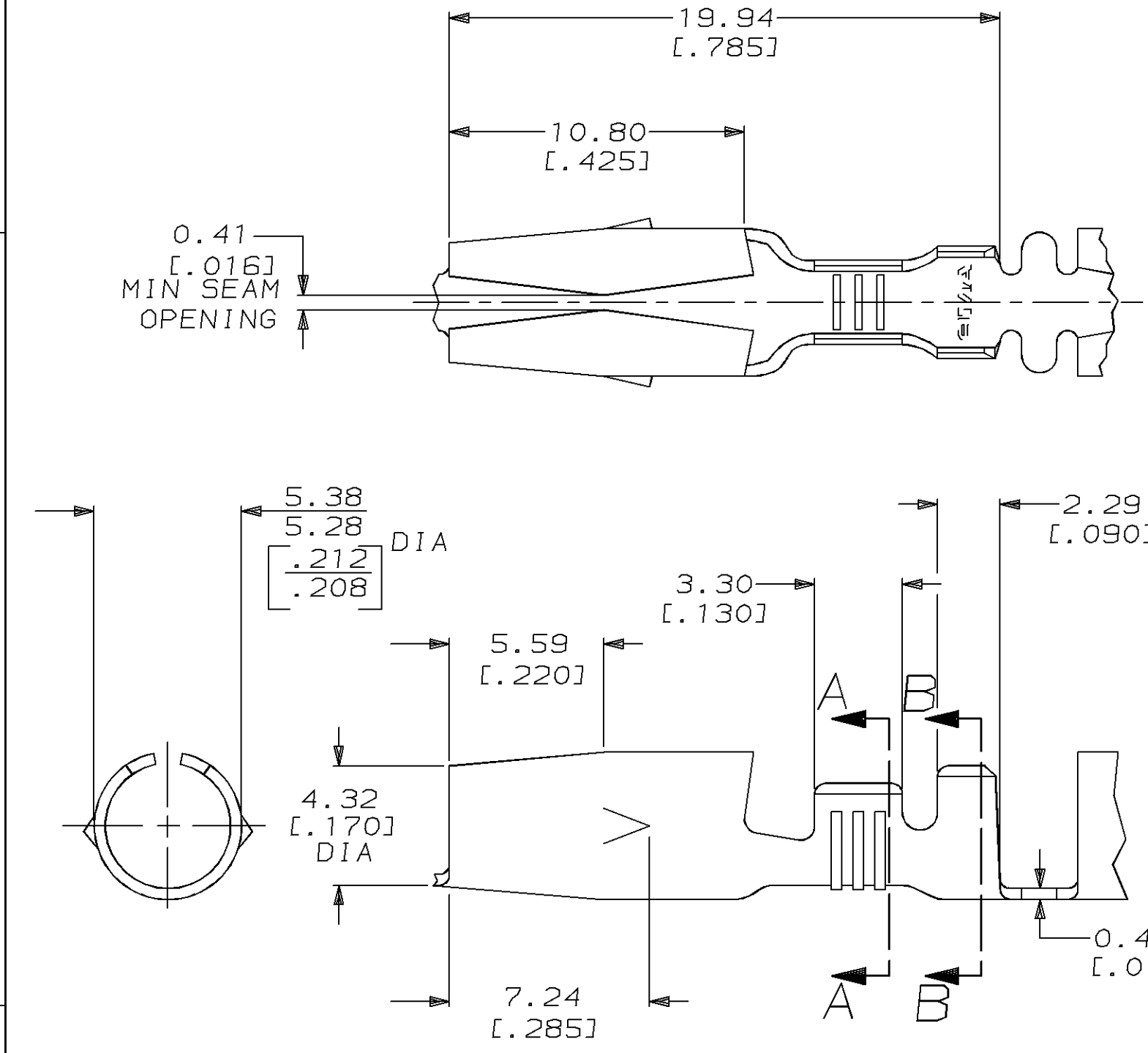


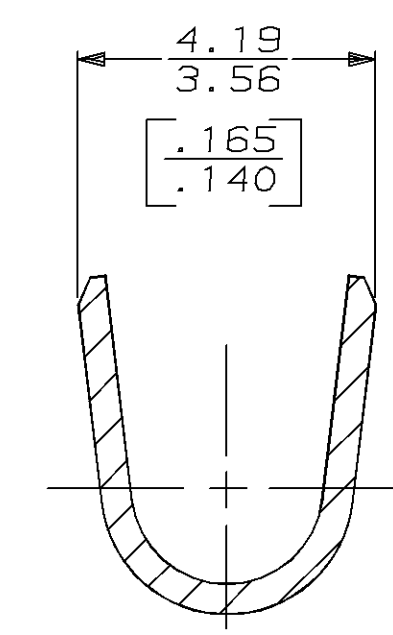
THIS DRAWING IS UNPUBLISHED. RELEASED FOR PUBLICATION, 19
 © COPYRIGHT 19 BY AMP INCORPORATED. ALL INTERNATIONAL RIGHTS RESERVED.

LOC	DIST	P	F	ZONE	LTR	REVISIONS	DATE	APPD
AF	50				C	DESCRIPTION		
						RELEASE PER 0710-0248-95	08/JUN/95	PF/GY

1 CONTINUOUS STRIP ON REEL.



SECTION A-A
SCALE 10:1



SECTION B-B
SCALE 10:1

2.29-3.05 DIA [.090-.120]	[20-16] AWG	63822-1
INSULATION RANGE	WIRE RANGE	PART NO

DO NOT SCALE PRINT. UNLESS SPECIFIED DIMENSIONS IN mm [INCHES] TOLERANCES ON: 2 PLC DEC ± 0.25 [.010] 3 PLC DEC ± - ANGLES ± -	DR 17/NOV/94 PHILLIP M. FORTNEY
	CHK 17/NOV/94 JEFF R. RUTH
	APPD 17/NOV/94 GARY YETTER
	APPD 17/NOV/94 KEITH LOEHRLEIN
MATERIAL 4M BRASS	PRODUCT SPEC -
FINISH -	APPLICATION SPEC -
	WEIGHT -

AMP AMP Incorporated Harrisburg, PA 17105-3608		
NAME PIN, 5.46 [.215] DIA		
SIZE B	CAGE CODE 00779	DRAWING NO C-63822
SCALE 5:1	SHEET 1 OF 1	

THIS DRAWING IS A CONTROLLED DOCUMENT FOR AMP INCORPORATED. IT IS SUBJECT TO CHANGE AND THE CONTROLLING ENGINEERING ORGANIZATION SHOULD BE CONTACTED FOR THE LATEST REVISION.