

MATERIALS AND FINISHES

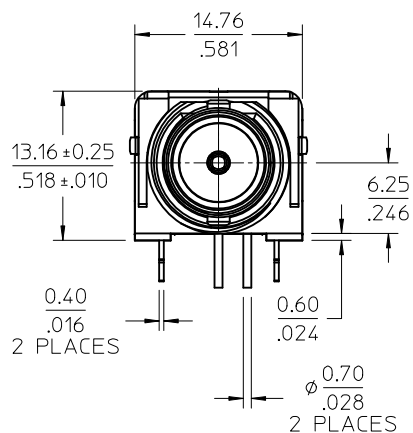
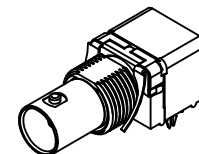
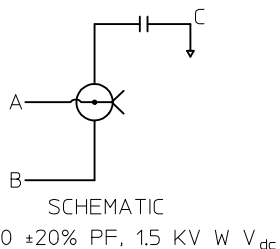
BODY ZINC ALLOY
PLATED NICKEL

CENTER CONTACT PHOSPHOR BRONZE
PLATED GOLD

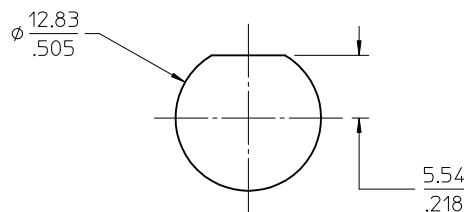
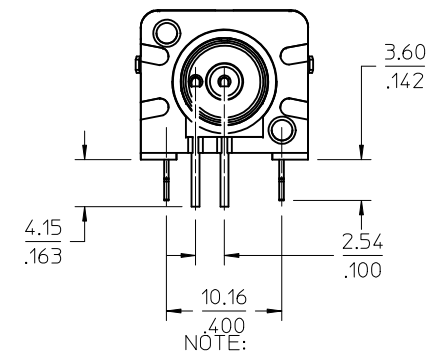
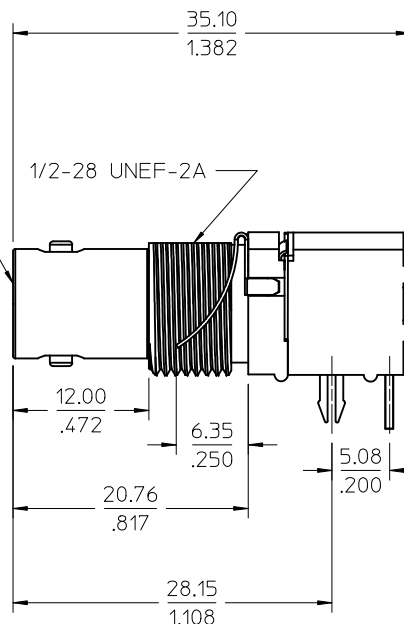
INSULATOR POLYPROPYLENE(94V2)

BOARD LOCK PHOSPHOR BRONZE
PLATED TIN

SOLDER TAIL COPPER OVER STEEL
PLATED TIN

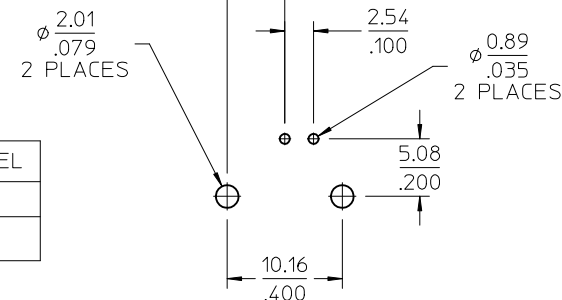


BNC JACK
75 OHM
INTERFACE



RECOMMENDED MOUNTING HOLE
PANEL THICKNESS: 5.40(.216) MAX
RECOMMENED MOUNTING TORQUE:
1.36 N-m(12 INCH LBS) MAX

73171-4320	QTY (1) OF 73101-0070 IN SINGLE BAG WITH LABEL
73101-0070	BULK
PART NO.	PACKAGING



PS-89675-1030	PRODUCT SPECIFICATION
SPECIFICATION	DESCRIPTION

ORIGINAL DRAWN BY IRIS 1996/04/23
RELEASED TO PRODUCTION ON 1996/08/30

CHG: CREATE IN SD. ADD: 73171-4320 EC NO: 2012/01/27 DRW: BOMALLEY CHK: AZR APPR: JWENER 2012/01/27 2012/02/06	QUALITY SYMBOLS ▽=0 ▽=0	GENERAL TOLERANCES (UNLESS SPECIFIED) mm INCH 4 PLACES ± --- ± --- 3 PLACES ± --- ± --- 2 PLACES ± --- ± --- 1 PLACE ± --- ± --- ANGULAR ± 2°	DIMENSION STYLE MM/IN DRAWN BY DATE BOMALLEY 2012/01/27 CHECKED BY DATE AZR 2012/01/27 APPROVED BY DATE JWENER 2012/02/06	SCALE DESIGN UNITS METRIC THIRD ANGLE PROJECTION	TITLE BNC JACK, RA PCB 75 OHMS WITH FILTER BNC J-PCB	MOLEX INCORPORATED DOCUMENT NO. SD-73101-0070	SHEET NO. 1 OF 1
		DRAFT WHERE APPLICABLE MUST REMAIN WITHIN DIMENSIONS	SEE TABLE	THIS DRAWING CONTAINS INFORMATION THAT IS PROPRIETARY TO MOLEX INCORPORATED AND SHOULD NOT BE USED WITHOUT WRITTEN PERMISSION			