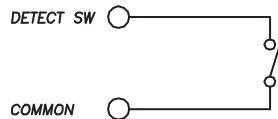
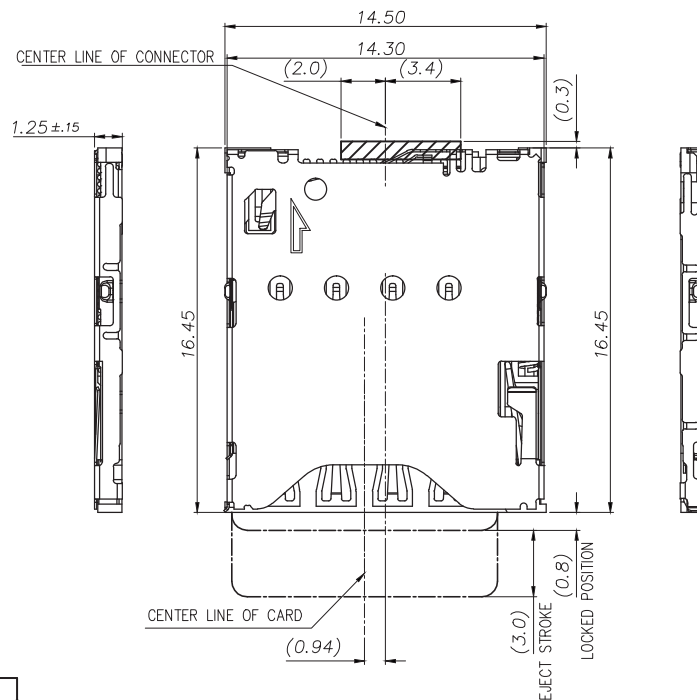
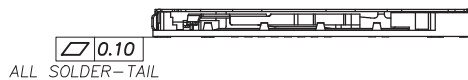
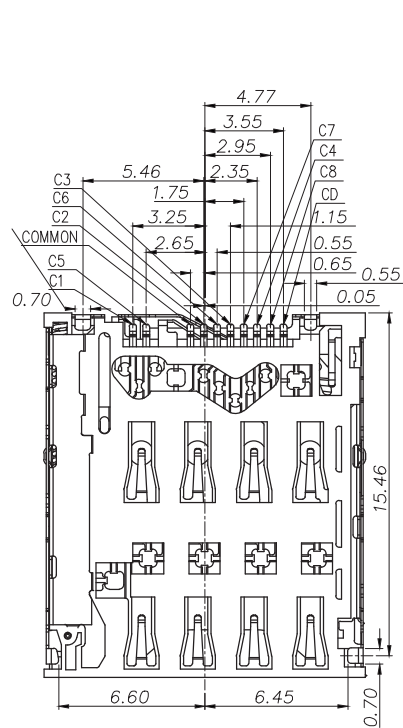


1 2 3 4 5



CIRCUIT DIAGRAM FOR DETECT SWITCH  
INSERT CARD=ON

TECHNICAL CHARACTERISTICS

MATERIAL  
 INSULATOR: LCP  
 FLAMMABILITY RATING: UL94-V0  
 COLOR: BLACK  
 CONTACT MATERIAL: COPPER ALLOY  
 CONTACT TYPE: STAMPED  
 CONTACT PLATING: SELECTIVE GOLD  
 SHIELDING: STAINLESS STEEL NI PLATED  
 QUALITY CLASS: 1500 MATING CYLCES

ENVIRONMENTAL  
 OPERATING TEMPERATURE: -25°C UP TO +85°C  
 COMPLIANCE: LEAD FREE AND ROHS

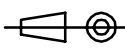
ELECTRICAL  
 CURRENT RATING: 1.0 A  
 WORKING VOLTAGE: 15 VDC  
 INSULATION RESISTANCE: >500 MΩ  
 WITHSTANDING VOLTAGE: 500 VAC/MIN  
 CONTACT RESISTANCE: 100 mΩ MAX

SOLDERING  
 JEDEC LEAD FREE REFLOW SOLDERING


PACKAGING  
 TAPE & REEL

RoHS Compliant

|     |           |           |    |
|-----|-----------|-----------|----|
| G   |           |           |    |
| F   |           |           |    |
| E   |           |           |    |
| D   |           |           |    |
| C   | 16-DEC-14 | DIMENSION | AS |
| B   | 02-DEC-14 | DIAGRAM   | AS |
| A   | 27-MAY-14 | PDF       | AS |
| REV | DATE      | FILE      | BY |

PROJECTION:  
  
 APPROVAL: NPr

GENERAL TOLERANCE  
 .X = +/- 0.3  
 .XX = +/- 0.20  
 UNIT: MM  
 SCALE:  
 SHEET: 1/4  
 DRAW: AS



DESCRIPTION: WR-CRD - MICRO SIM - PUSH & PUSH TYPE - 8 PINS  
 WERI PART NO: 693 021 010 811

SIZE  
**A4**

A  
 B  
 C

D

1 2 3 4 5

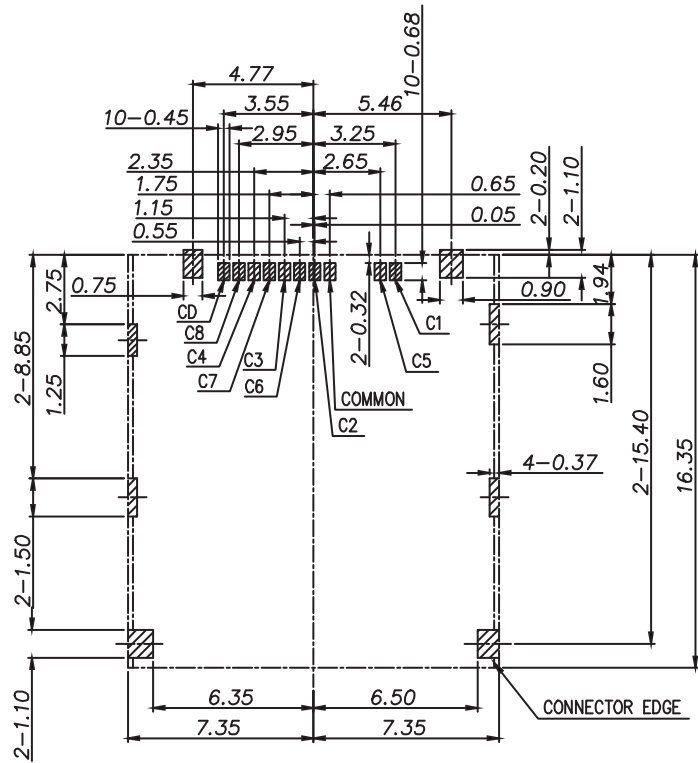
A

B

C

D

| PIN NO. | PIN ASSIGNMENT               |
|---------|------------------------------|
| C1      | SUPPLY VOLTAGE(VCC)          |
| C2      | RESET(RST)                   |
| C3      | CLOCK(CLK)                   |
| C4      | RESERVED FOR FUTURE USE(RFU) |
| C5      | GROUND(GND)                  |
| C6      | PROGRAMMING VOLTAGE(VPP)     |
| C7      | I/O                          |
| C8      | RESERVED FOR FUTURE USE(RFU) |



PCB LAYOUT - COMPONENT VIEW  
TOLERANCES ± 0.05 MM

RoHS Compliant

|     |           |           |    |
|-----|-----------|-----------|----|
| G   |           |           |    |
| F   |           |           |    |
| E   |           |           |    |
| D   |           |           |    |
| C   | 16-DEC-14 | DIMENSION | AS |
| B   | 02-DEC-14 | DIAGRAM   | AS |
| A   | 27-MAY-14 | PDF       | AS |
| REV | DATE      | FILE      | BY |

PROJECTION:

APPROVAL: NPr

GENERAL TOLERANCE  
.X =  $\pm 0.3$   
.XX =  $\pm 0.20$

UNIT: MM  
SCALE:  
SHEET: 2/4  
DRAW: AS

DESCRIPTION: WR-CRD - MICRO SIM - PUSH & PUSH TYPE - 8 PINS

WERI PART NO: 693 021 010 811

SIZE  
**A4**

1

2

3

4

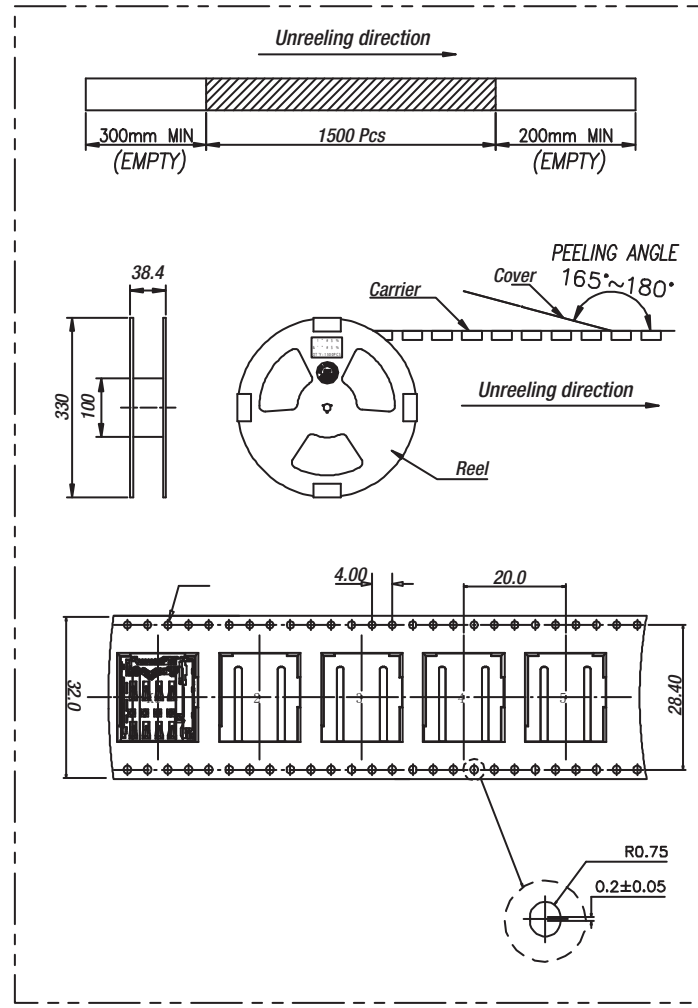
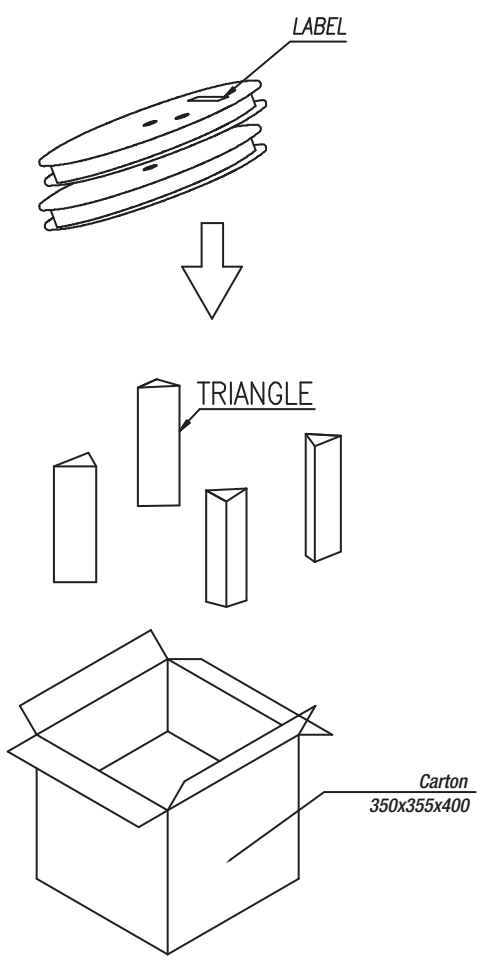
5

A

B

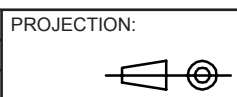
C

D



1500 pcs/reel  
10 reels/carton  
15000pcs/carton

|                |           |      |    |
|----------------|-----------|------|----|
| RoHS Compliant |           |      |    |
| G              |           |      |    |
| F              |           |      |    |
| E              |           |      |    |
| D              |           |      |    |
| C              |           |      |    |
| B              |           |      |    |
| A              | 23-JUL-14 | PDF  | AS |
| REV            | DATE      | FILE | BY |



APPROVAL: NPr

GENERAL TOLERANCE

.X = +/- 0.2

.XX = +/- 0.15

UNIT: MM

SCALE:

SHEET: 3/4

DRAW: AS



DESCRIPTION: WR-CRD - MICRO SIM - PUSH & PUSH TYPE - 8 PINS

WERI PART NO: 693 021 010 811

SIZE

**A4**

1

2

3

4

5

## Cautions and Warnings:

This electronic component is designed and developed with the intention for use in general electronics equipments.

Before incorporating the components into any equipments in the field such as aerospace, aviation, nuclear control, submarine, transportation, (automotive control, train control, ship control), transportation signal, disaster prevention, medical, public information network etc. where higher safety and reliability are especially required or if there is possibility of direct damage or injury to human body, Würth Elektronik must be asked for a written approval.

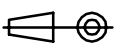

In addition, even electronic component in general electronic equipments, when used in electrical circuits that require high safety, reliability functions or performance, the sufficient reliability evaluation-check for the safety must be performed before by the user before usage.

A

B

C

RoHS Compliant

|     |           |      |    |  |   |  |                   |
|-----|-----------|------|----|--|---|--|-------------------|
| G   |           |      |    | PROJECTION:<br> | GENERAL TOLERANCE<br>.X = +/- 0.2<br>.XX = +/- 0.15 | <br><b>WÜRTH ELEKTRONIK</b> |                   |
| F   |           |      |    |  |   |  |                   |
| E   |           |      |    |  |   |  |                   |
| D   |           |      |    |  |   |  |                   |
| C   |           |      |    | APPROVAL: JC   | UNIT: MM  | DESCRIPTION: DISCLAIMER  | SIZE<br><b>A4</b> |
| B   |           |      |    |  | SCALE:  |  |                   |
| A   | 10-SEP-14 | PDF  | QL |  | SHEET: 4/4  | WERI PART NO: DISCLAIMER   |                   |
| REV | DATE      | FILE | BY |  | DRAW: QL  |  |                   |

D