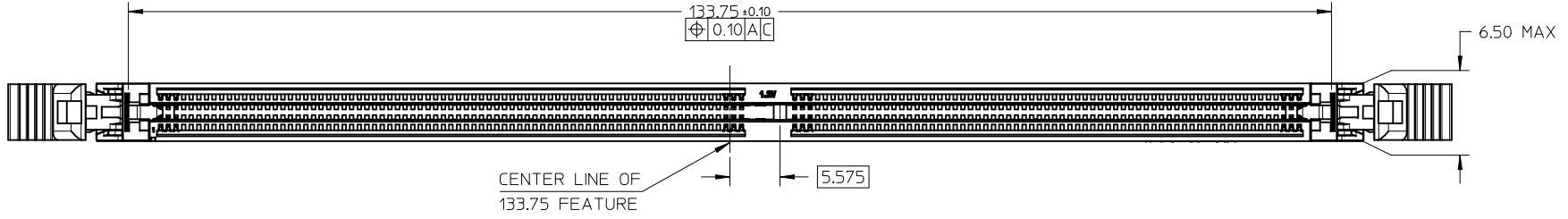


- NOTES:
- MATERIAL : HOUSING - HALOGEN FREE HIGH TEMP POLYAMIDE, GLASS FILLED, UL94V-0, COLOUR : SEE TABLE ON SHEET 5. LATCH - HALOGEN FREE HIGH TEMP POLYAMIDE, GLASS FILLED, UL94V-0, COLOUR : SEE TABLE ON SHEET 5. TERMINAL : COPPER ALLOY. FORKLICK: COPPER ALLOY.
 - FINISHES - SEE TABLE ON SHEET 5.
 - PRODUCT SPECIFICATION : SEE TABLE ON SHEET 5.
 - PACKAGING SPECIFICATION: PRODUCT SHALL BE PACKED IN TRAY, SEE SHEET 5
 - CARD SLOT ACCEPTS 1.40±0.10MM MODULE THICKNESS (MEASURED OVER P.C. PADS).
 - MOLEX LOGO, DATE & PART NO. INDICATED ON HOUSING.
 - MODULE SEATING PLANE.
 - KEEP OUT ZONE RESERVED FOR LATCH.
 - KEEP OUT AREA IS THE AREA WHERE THE CONNECTOR (INCLUDES LATCHES IN OPENING POSITION) IS MOUNTED ON THE PCB.
 - REFER TO AS-78730-001 FOR CONNECTOR APPLICATION GUIDELINE.
 - REFER TO AS-78730-002 FOR PCB ROUTING RECOMMENDATIONS.

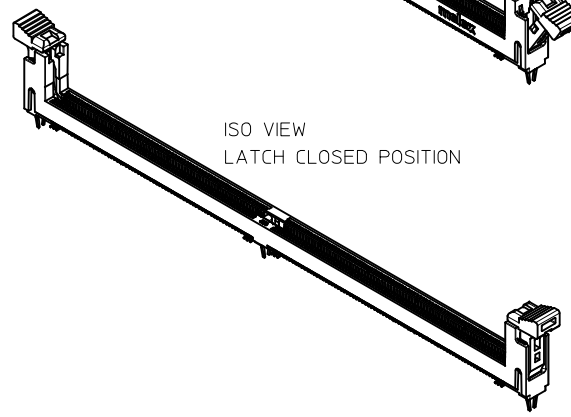
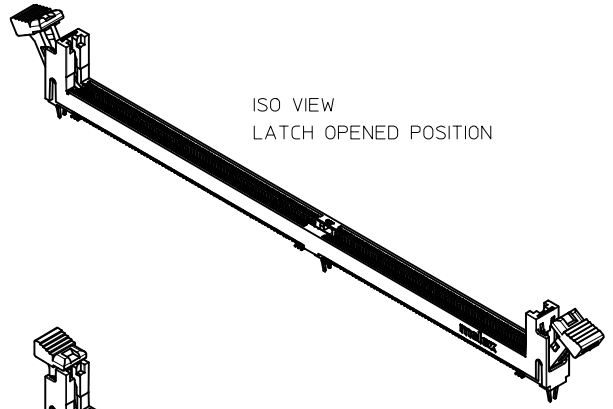
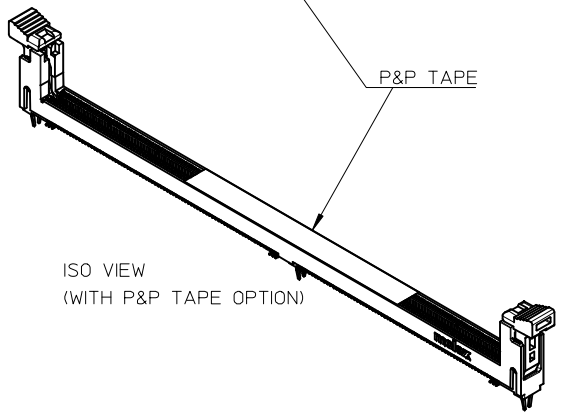
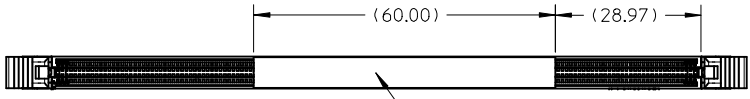
THIS DESIGN IS BASED ON DESIGN OBJECTIVES AND IS STRICTLY TENTATIVE. IT MAY CHANGE BASED ON RESULTS OF ADDITIONAL DESIGN REVIEWS AND VERIFICATIONS.

INCREASE P&P LENGTH IEC NO: S2016-0697 DRW:NEKSOH 2016/07/15 CHKD:CGTAN 2016/07/20 APPR:SHLENI 2016/07/20	QUALITY SYMBOLS $\nabla = 0$ $\nabla = 0$ $\nabla = 0$	GENERAL TOLERANCES (UNLESS SPECIFIED)		DIMENSION STYLE MM ONLY		SCALE NTS	DESIGN UNITS METRIC	THIRD ANGLE PROJECTION	
			mm	INCH	DRAWN BY EKSOH	DATE 2012/03/08	TITLE DDR4 DIMM, 0.85MM PITCH 288 CKTS, VERT SMT		
		4 PLACES	± ---	± ---	CHECKED BY CGTAN	DATE 2012/05/08			
		3 PLACES	± ---	± ---	APPROVED BY SHLENI	DATE 2012/03/09			
			2 PLACES	± 0.20	± ---				
			1 PLACE	± ---	± ---				
			0 PLACE	± ---	± ---				
			ANGULAR ± 3 °		MATERIAL NO.	DOCUMENT NO.			
			DRAFT WHERE APPLICABLE MUST REMAIN WITHIN DIMENSIONS		SEE TABLE	SD-78730-002		SHEET NO. 1 OF 5	
					SIZE A3	THIS DRAWING CONTAINS INFORMATION THAT IS PROPRIETARY TO MOLEX INCORPORATED AND SHOULD NOT BE USED WITHOUT WRITTEN PERMISSION			

10 9 8 7 6 5 4 3 2 1

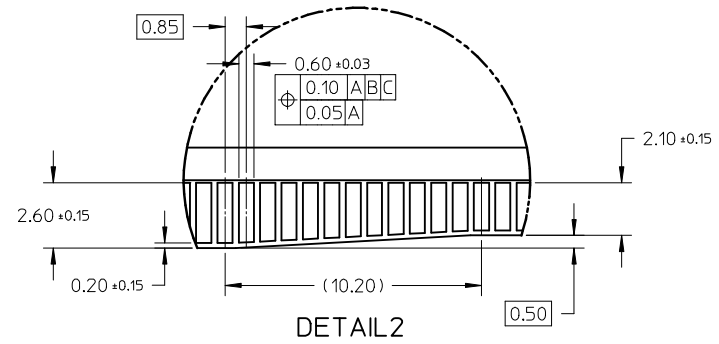
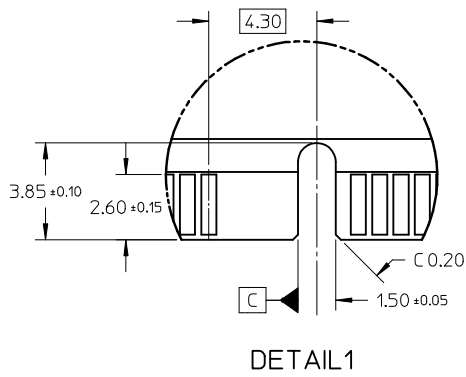
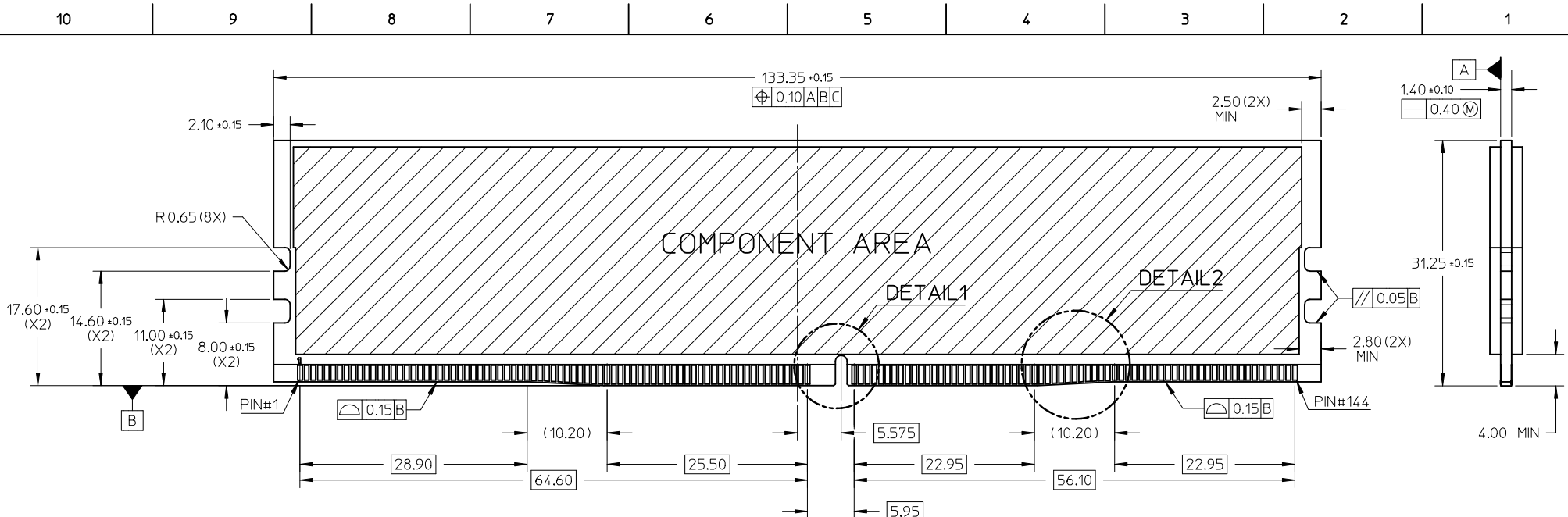


IEWS WITH P&P TAPE OPTION



INCREASE P&P LENGTH EC NO: S2016-0697 DRW: EKS0H 2016/07/15 CHKD: CGTAN 2016/07/20 APPR: SHLENI 2016/07/20	QUALITY SYMBOLS $\nabla_A = 0$ $\nabla_C = 0$ $\nabla_F = 0$	GENERAL TOLERANCES (UNLESS SPECIFIED)		DIMENSION STYLE MM ONLY		SCALE NTS	DESIGN UNITS METRIC	THIRD ANGLE PROJECTION		
			mm	INCH	DRAWN BY EKS0H	DATE 2012/03/08	TITLE DDR4 DIMM, 0.85MM PITCH 288 CKTS, VERT SMT			
		4 PLACES	± ---	± ---	CHECKED BY CGTAN	DATE 2012/05/08	molex DOCUMENT NO. SD-78730-002 SHEET NO. 2 OF 5			
		3 PLACES	± ---	± ---	APPROVED BY SHLENI	DATE 2012/07/09				
2 PLACES	± 0.20	± ---	MATERIAL NO.		THIS DRAWING CONTAINS INFORMATION THAT IS PROPRIETARY TO MOLEX INCORPORATED AND SHOULD NOT BE USED WITHOUT WRITTEN PERMISSION					
1 PLACE	± ---	± ---	ANGULAR ± 3 °		SEE TABLE					
0 PLACE	± ---	± ---	DRAFT WHERE APPLICABLE MUST REMAIN WITHIN DIMENSIONS		SIZE A3					

9 8 7 6 5 4 3 2 1



INCREASE P&P LENGTH EC NO: S2016-0697 DRW: EKSOH 2016/07/15 CHKD: CGTAN 2016/07/20 APPR: SHLENI 2016/07/20	DESCRIPTION REV	$F_{A1} = 0$ $F_{A2} = 0$ $F_{A3} = 0$	QUALITY SYMBOLS		GENERAL TOLERANCES (UNLESS SPECIFIED)		DIMENSION STYLE MM ONLY		SCALE NTS	DESIGN UNITS METRIC	THIRD ANGLE PROJECTION	
		4 PLACES ± --- ± --- 3 PLACES ± --- ± --- 2 PLACES ± 0.20 ± --- 1 PLACE ± --- ± --- 0 PLACE ± --- ± ---	mm INCH	DRAWN BY EKSOH	DATE 2012/03/08	TITLE DDR4 DIMM, 0.85MM PITCH 288 CKTS, VERT SMT						
		DRAFT WHERE APPLICABLE MUST REMAIN WITHIN DIMENSIONS		CHECKED BY CGTAN	DATE 2012/05/08	molex						
		MATERIAL NO. SEE TABLE	DATE 2012/08/09	APPROVED BY SHLENI	DOCUMENT NO. SD-78730-002	SHEET NO. 3 OF 5						

10 9 8 7 6 5 4 3 2 1

F

E

D

C

B

A

F

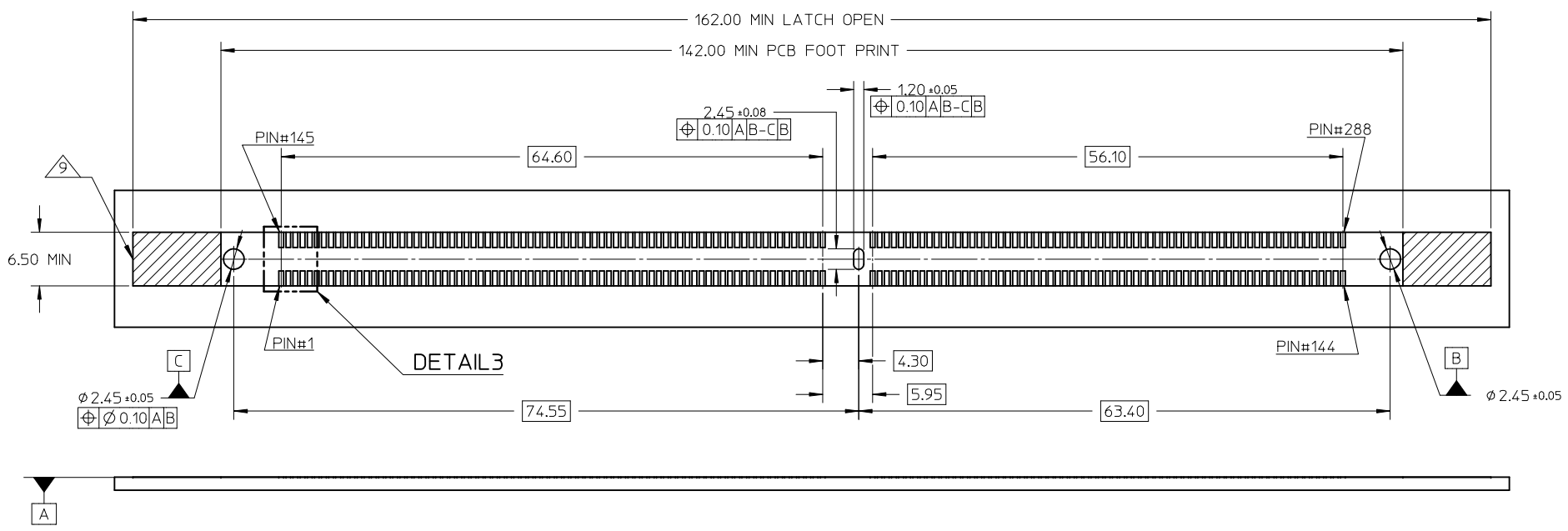
E

D

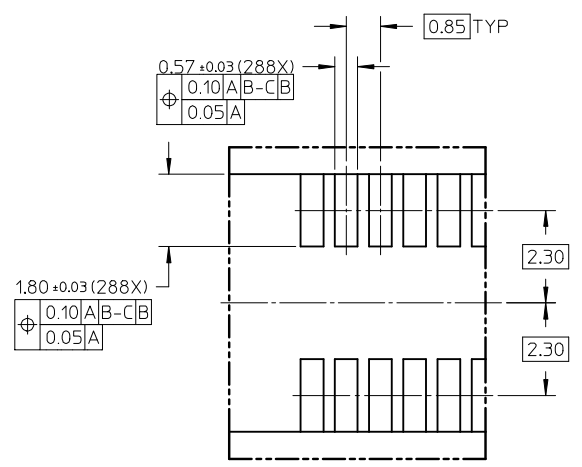
C

B

A



RECOMMENDED PCB THICKNESS: 1.57 TO 3.18MM



DETAIL 3

INCREASE P&P LENGTH EC NO: S2016-0697 DRW: EKS0H 2016/07/15 CHKD: CGTAN 2016/07/20 APPR: SHLENI 2016/07/20	QUALITY SYMBOLS F=0 F=0 F=0	GENERAL TOLERANCES (UNLESS SPECIFIED)		DIMENSION STYLE MM ONLY		SCALE NTS	DESIGN UNITS METRIC	THIRD ANGLE PROJECTION		
			mm	INCH	DRAWN BY EKS0H	DATE 2012/03/08	TITLE DDR4 DIMM, 0.85MM PITCH 288 CKTS, VERT SMT			
		4 PLACES	± ---	± ---	CHECKED BY CGTAN	DATE 2012/05/08	molex			
		3 PLACES	± ---	± ---	APPROVED BY SHLENI	DATE 2012/03/09				
2 PLACES	± 0.20	± ---	MATERIAL NO.		DOCUMENT NO.		SHEET NO.			
1 PLACE	± ---	± ---	SEE TABLE		SD-78730-002		4 OF 5			
0 PLACE	± ---	± ---	DRAFT WHERE APPLICABLE MUST REMAIN WITHIN DIMENSIONS		THIS DRAWING CONTAINS INFORMATION THAT IS PROPRIETARY TO MOLEX INCORPORATED AND SHOULD NOT BE USED WITHOUT WRITTEN PERMISSION					

9 8 7 6 5 4 3 2 1

CKT SIZE	ASSEMBLY PART NO.	HOUSING COLOUR	LATCH COLOUR	P&P OPTION	PLATING OPTION		PRODUCT SPEC. NO.	PACKAGING SPEC. NO.			
					TERMINAL	FORKLOCK					
288	78730-1002	BLACK	BLACK	NO	0.76 MICROMETER (30 MICROINCH) MIN GOLD ON CONTACT 2.54 MICROMETER (100 MICROINCH) MIN TIN ON SOLDER TAILS 1.27 MICROMETER (50 MICROINCH) MIN NICKEL UNDERPLATE		PS-78730-001				
	78730-1003	BLACK	OFF-WHITE								
	78730-1004	OFF-WHITE	BLACK								
	78730-1005	OFF-WHITE	OFF-WHITE								
	78730-1006	BLUE	BLUE								
	78730-1007	BLACK	BLUE								
	78730-2002	BLACK	BLACK	YES					1.0 MICROMETER (40 MICROINCH) MIN TIN OVERALL (PRE-PLATED)		PK-78730-001
	78730-2003	BLACK	OFF-WHITE								
	78730-2004	OFF-WHITE	BLACK								
	78730-2005	OFF-WHITE	OFF-WHITE								
	78730-2006	BLUE	BLUE								
	78730-2007	BLACK	BLUE								
	78730-1152	BLACK	BLACK	NO	0.38 MICROMETER (15 MICROINCH) MIN GOLD ON CONTACT 2.54 MICROMETER (100 MICROINCH) MIN TIN ON SOLDER TAILS 1.27 MICROMETER (50 MICROINCH) MIN NICKEL UNDERPLATE		PS-78730-002				
	78730-1153	BLACK	OFF-WHITE								
	78730-1154	OFF-WHITE	BLACK								
	78730-1155	OFF-WHITE	OFF-WHITE								
	78730-1156	BLUE	BLUE								
	78730-1157	BLACK	BLUE								
	78730-2152	BLACK	BLACK	YES							
	78730-2153	BLACK	OFF-WHITE								
78730-2154	OFF-WHITE	BLACK									
78730-2155	OFF-WHITE	OFF-WHITE									
78730-2156	BLUE	BLUE									
78730-2157	BLACK	BLUE									

INCREASE P&P LENGTH EC NO: S2016-0697 DRW: EKSOH 2016/07/15 CHK'D: CGTAN 2016/07/20 APPR: SHLENI 2016/07/20 REV 13	QUALITY SYMBOLS $F_{\Delta} = 0$ $F_{\nabla} = 0$ $F_{\square} = 0$	GENERAL TOLERANCES (UNLESS SPECIFIED)		DIMENSION STYLE MM ONLY		SCALE NTS	DESIGN UNITS METRIC	THIRD ANGLE PROJECTION			
				mm	INCH	DRAWN BY	DATE	TITLE			
				4 PLACES	± --- ± ---	EKSOH	2012/03/08	DDR4 DIMM, 0.85MM PITCH			
				3 PLACES	± --- ± ---			288 CKTS, VERT SMT			
		2 PLACES	± 0.20 ± ---	CHECKED BY	DATE						
		1 PLACE	± --- ± ---	CGTAN	2012/05/08						
		0 PLACE	± --- ± ---	APPROVED BY	DATE						
				SHLENI	2012/08/09						
		ANGULAR ± 3 °		MATERIAL NO.		DOCUMENT NO.					
		DRAFT WHERE APPLICABLE MUST REMAIN WITHIN DIMENSIONS		SEE TABLE		SD-78730-002		SHEET NO. 5 OF 5			
				SIZE A3	THIS DRAWING CONTAINS INFORMATION THAT IS PROPRIETARY TO MOLEX INCORPORATED AND SHOULD NOT BE USED WITHOUT WRITTEN PERMISSION						