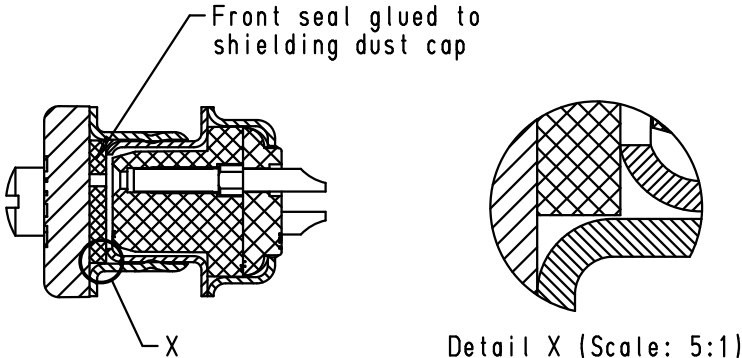




IP 67 shielding concept



| | | | | | | | | | |
|--|-------|----------|------|-------------------------------|----------|------------------------------------------------------------------------------------------------------------------------------------|----------------------------------------------------------------------------------------------------------|-------------------|-------------|
| | | | | Dot. | Name |  <p>All Dim. in mm Orig. Size DIN A 4</p> | IP 67 male metal shielding cap, tin plated shell with dimples for 15 poles female D-Sub with screw locks | Maßstab/ Scale | |
| | | | | Detail. | 12/04/07 | | | PK | 2:1 |
| | | | | Insp. | | | | | |
| | | | | Stand. | | | | | |
| | 34906 | 18/04/08 | PK | HARTING EURL F-95972 Paris | | |  | TB 09 67 002 9056 | Blatt/ Page |
| | 33977 | 12/04/07 | PK | | | | | | 1 / 1 |
| | Mod. | Dot. | Name | | | | | Sub. | |

D
C
B
A

5 4 3 2 1