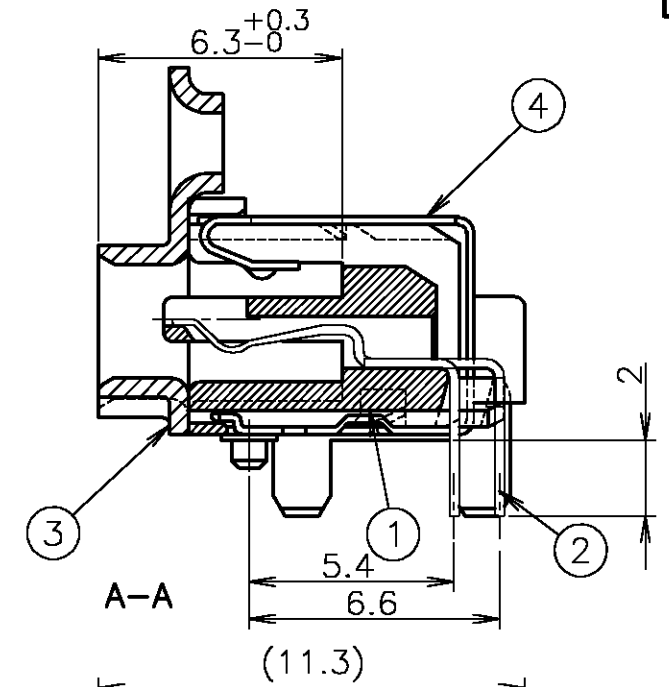
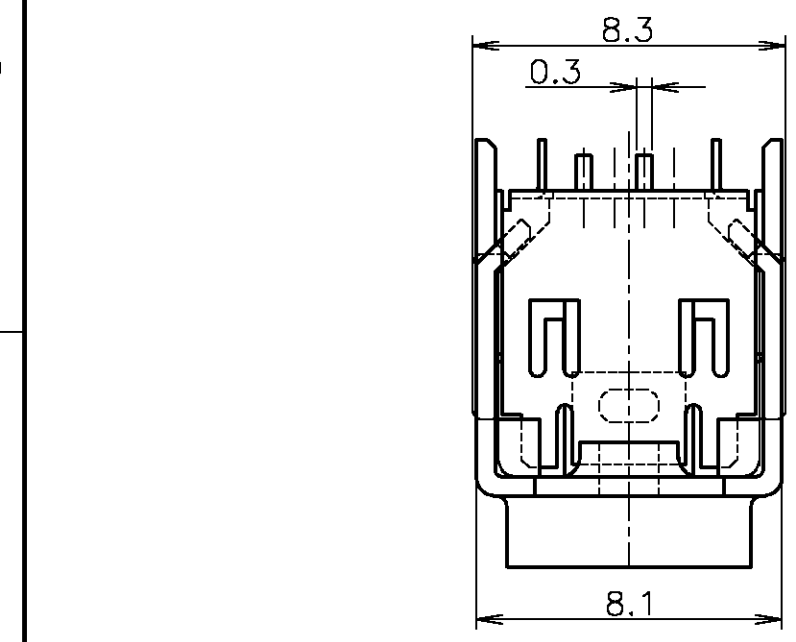
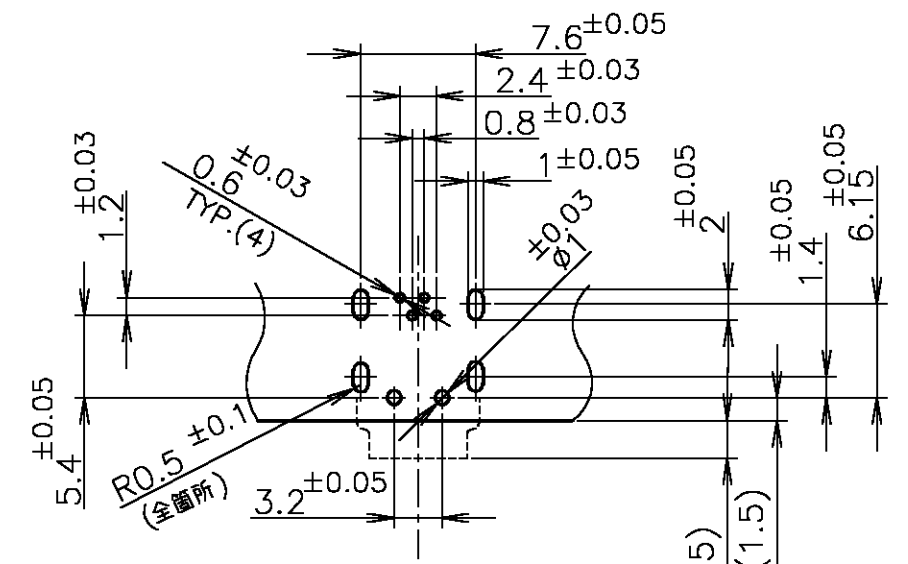


THIS DRAWING IS UNPUBLISHED. RELEASED FOR PUBLICATION JUL, 1996.  
 © COPYRIGHT 1996 BY TYCO ELECTRONICS CORPORATION. ALL RIGHTS RESERVED.

LOC	DIST	REVISIONS					
J	/	P	LTR	DESCRIPTION	DATE	DWN	APVD
		H		REVISED	FJB0-0366-03	15JAN04	J.T H.M

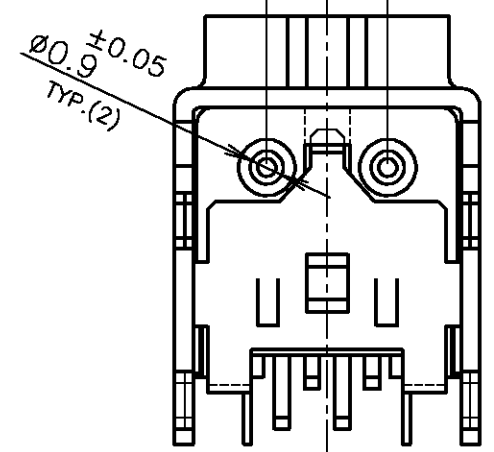
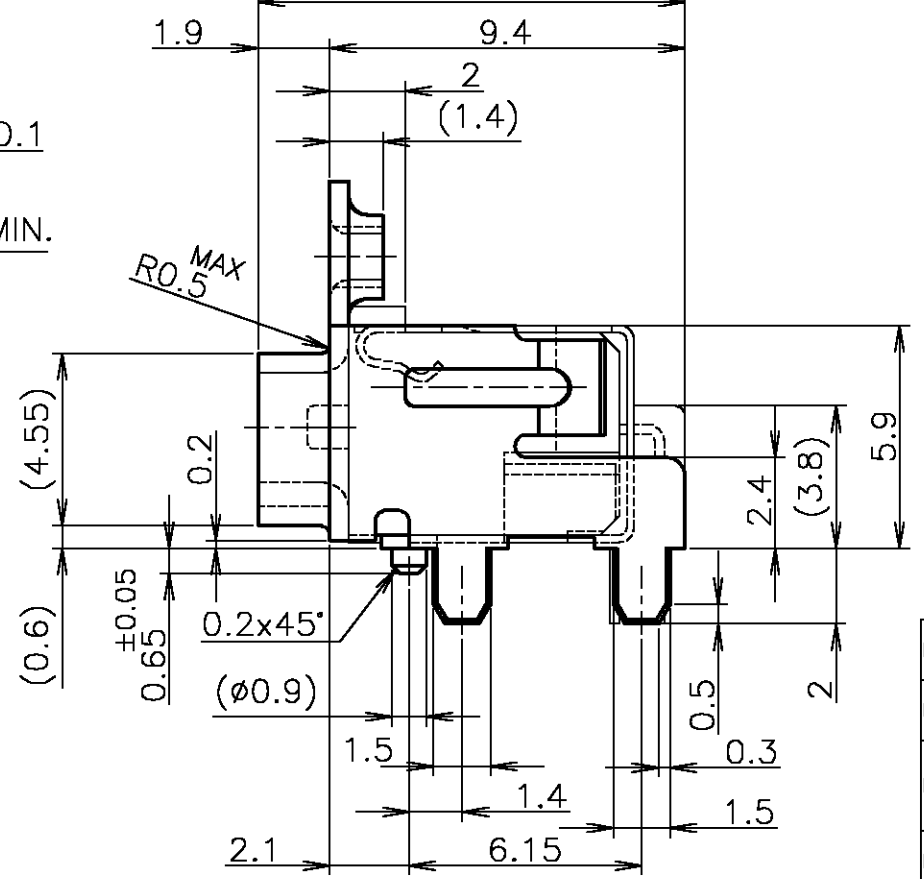
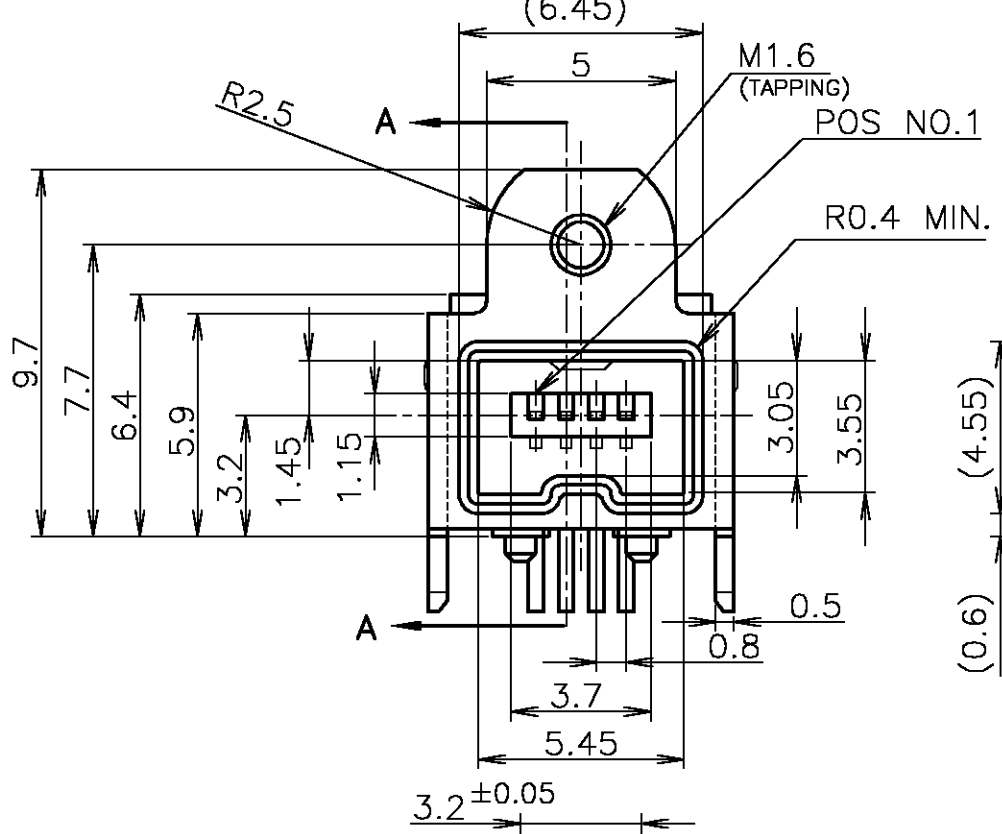


-1: 本図  
AS SHWN



推奨基板レイアウト  
(SCALE 2:1) (0.8±0.1THK)

- ビス締め部推奨トルク; 19.6N・cm(2kgf・cm)
- M1.6 TAP; 19.6N・cm(2kgf・cm) MAX.



鉛フリー  
LEAD FREE

NO.	NAME	MATERIAL	FINISH
④	BACK SHELL	りん青銅 PHOS-BRO	TIN: 0.002mm
③	FRONT SHELL	黄銅 BRASS	TIN: 0.002mm
②	CONTACT	銅合金 COPPER ALLOY	Ni UNDER PLATING: 0.00127mm MIN. CONTACT AREA: Au 0.0003mm MIN. SOLDERING AREA: TIN 0.002mm
①	HOUSING	6T ナイロン (UL94V-0)	BLACK

THIS DRAWING IS A CONTROLLED DOCUMENT.

DWN	T.FUTATSUGI	17JUL96	<b>tyco</b> Electronics	Tyco Electronics AMP K.K.	
CHK	Y.YAMAMOTO	17JUL96		Kawasaki, Japan	
APVD	S.KUBOUCHI	10DEC98	NAME	REC HEADER 4POS DIP TYPE	
PRODUCT SPEC	製品規格		名称	IEEE 1394 AV CONNECTOR	
APPLICATION SPEC	取付適用規格			(パネル取付タイプ)	
WEIGHT			SIZE	CAGE CODE	DRAWING NO
			A3	00779	C-353388
MATERIAL	材料	SEE TABLE	FINISH	仕上	SEE TABLE
CUSTOMER DRAWING			SCALE	5:1	SHEET 1 OF 1