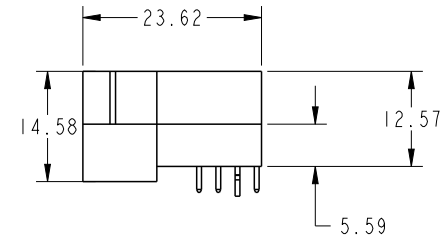
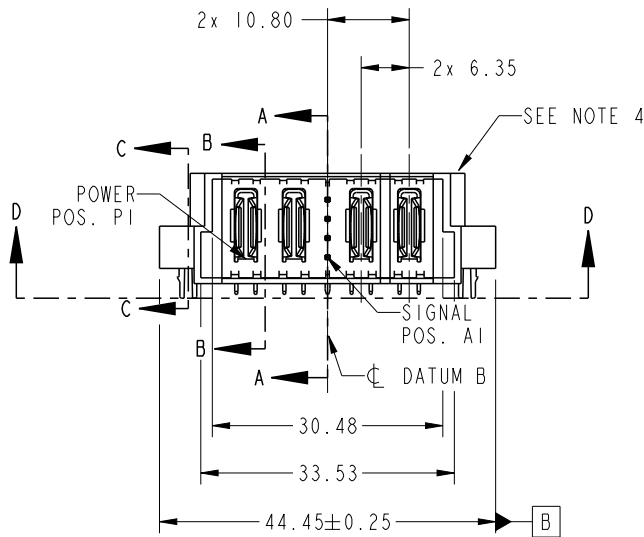
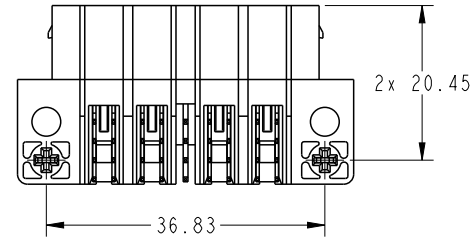
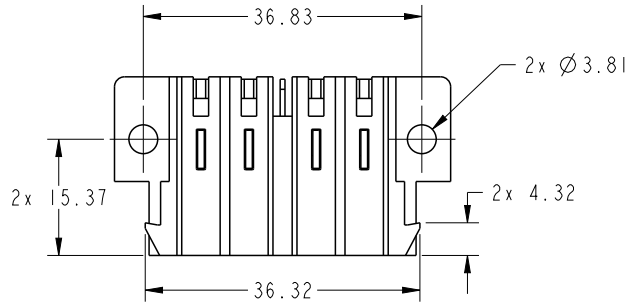


PRODUCT NO. 51939-845-- NOTE 3	ROWS DCBA	POWER		SIGNAL		POWER	
		E1	P1	P2	1	P3	P4

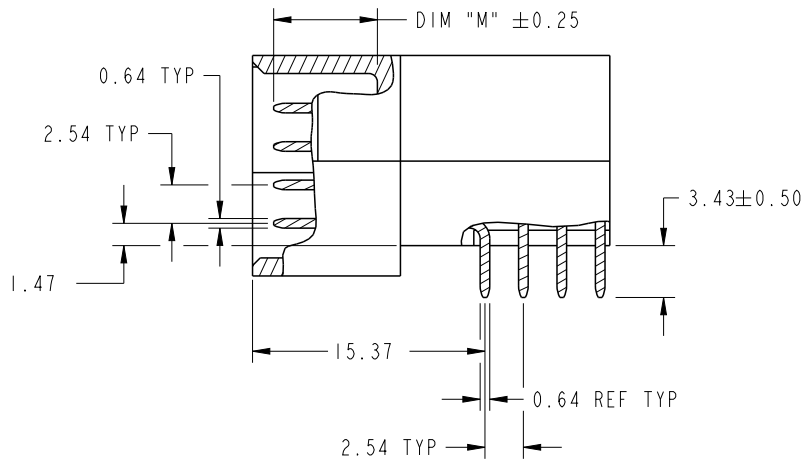
CODE	DIM "M" MATING LENGTH	CONTACT TYPE
U	[6.86]	SIGNAL
T	[6.86]	SIGNAL
S	[6.86]	SIGNAL
R	[6.86]	SIGNAL
PA	[N/A]	POWER
HA	[N/A]	HOLD-DOWN



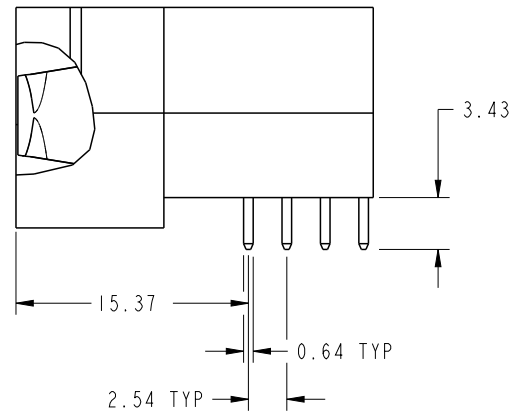
spec ref	*	dr	Ruan MT	2014/03/20	projection	MM	size	A4	scale	1:1	
tolerance std	ASME Y14.5	eng	De-Ming Lu	2014/03/27			ecn no	-	rel level	Released	
TOLERANCES UNLESS OTHERWISE SPECIFIED		chr	-	-							
surface	✓	appr	Pei-Ming Zheng	2014/03/27	product family	PwrBlade					
ASME Y14.5	linear	0.X	±0.5		title	2P + 4S + 2P	dwg no	51939-845		rev	A
		0.XX	±0.25		RIGHT ANGLE SOLDER HEADER						
	angular	0°	±2°		www.fci.com	cat. no.	-	Product - Customer Drw	sheet 1 of 4		

PRODUCT NUMBER

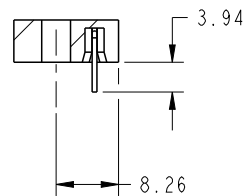
51939-845--
NOTE: 3



BROKEN-OUT SECTION A-A
SCALE 2:1



BROKEN-OUT SECTION B-B
SCALE 2:1

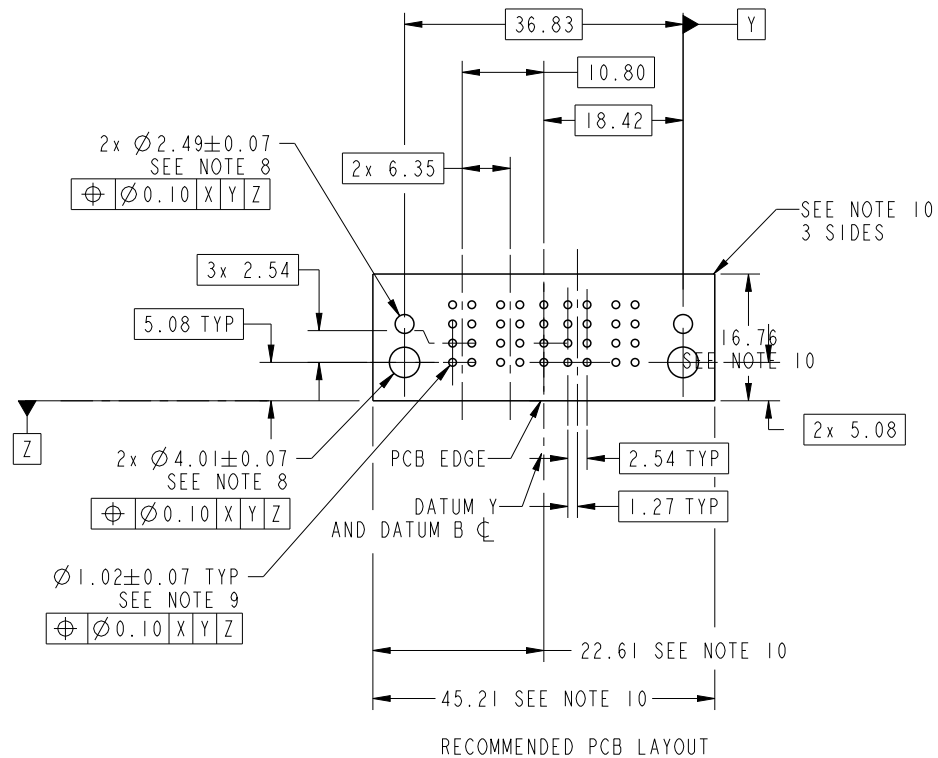


SECTION C-C

dr	Ruan MT	2014/03/20	projection 	MM 	size	A4	scale	1:1
eng	De-Ming Lu	2014/03/27			ecn no	-		
chr	-	-			rel level	Released		
appr	Pei-Ming Zheng	2014/03/27	product family	PwrBlade	rev	A		
	title	2P + 4S + 2P		dwg no	51939-845			
www.fci.com	cat. no.	-		Product - Customer Drw	sheet 2 of 4			
			RIGHT ANGLE SOLDER HEADER					

PRODUCT NUMBER

51939-845__
NOTE: 3



dr	Ruan MT	2014/03/20	projection 	MM 	size	A4	scale	1:1			
eng	De-Ming Lu	2014/03/27			ecn no	-					
chr	-	-			rel level	Released					
appr	Pei-Ming Zheng	2014/03/27	product family	PwrBlade							
		title			2P + 4S + 2P		dwg no		51939-845	rev	A
www.fci.com		cat. no.			-		Product - Customer Drw		sheet 3 of 4		

PRODUCT NUMBER

51939-845__
NOTE: 3

NOTES:

1. DIMENSIONS AND TOLERANCES ARE IN ACCORDANCE WITH ASME Y14.5M, 1994 UNLESS OTHERWISE SPECIFIED.

CONNECTOR NOTES:

- 2. HOUSING MATERIAL: UL 94 V-0 GLASS FILLED HIGH-TEMP THERMOPLASTIC
POWER CONTACT MATERIAL: COPPER ALLOY
SIGNAL PIN MATERIAL: COPPER ALLOY
- 3. SEE ITEM 1 & 2 IN PRINT 10064183 FOR PLATING SPEC OF 51939-845 AND 51939-845LF RESPECTIVELY.
- 4. MANUFACTURER'S NAME, DATE CODE AND OPTIONAL P/N TO APPEAR ON THIS SURFACE. THE MARK CAN BE OMITTED IF THERE IS NOT ENOUGH SPACE ON THIS SURFACE.
- 5. PRODUCT SPECIFICATION GS-12-149.
APPLICATION SPECIFICATION BUS-20-067.
- 6. PACKAGED IN TRAYS.

PCB NOTES:

- 7. ALL HOLE DIAMETERS ARE FINISHED HOLE SIZE.
- 8. MOUNTING HOLES, WHERE APPLICABLE, ARE UNPLATED.
- 9. $\varnothing 1.151 \pm 0.025$ DRILLED HOLES PLATED WITH
0.008 MIN SnPb OR Sn OVER 0.03
TO 0.08 Cu PLATING TO ACHIEVE
 $\varnothing 1.02 \pm 0.07$ HOLE.
- 10. CONNECTOR KEEP-OUT ZONE.

dr	Ruan MT	2014/03/20	projection 	MM 	size	A4	scale	1:1
eng	De-Ming Lu	2014/03/27			ecn no	-		
chr	-	-			product family	PwrBlade	rel level	Released
appr	Pei-Ming Zheng	2014/03/27			title 2P + 4S + 2P RIGHT ANGLE SOLDER HEADER	dwg no 51939-845	rev A	
www.fci.com		cat. no.	-	Product - Customer Drw		sheet 4 of 4		