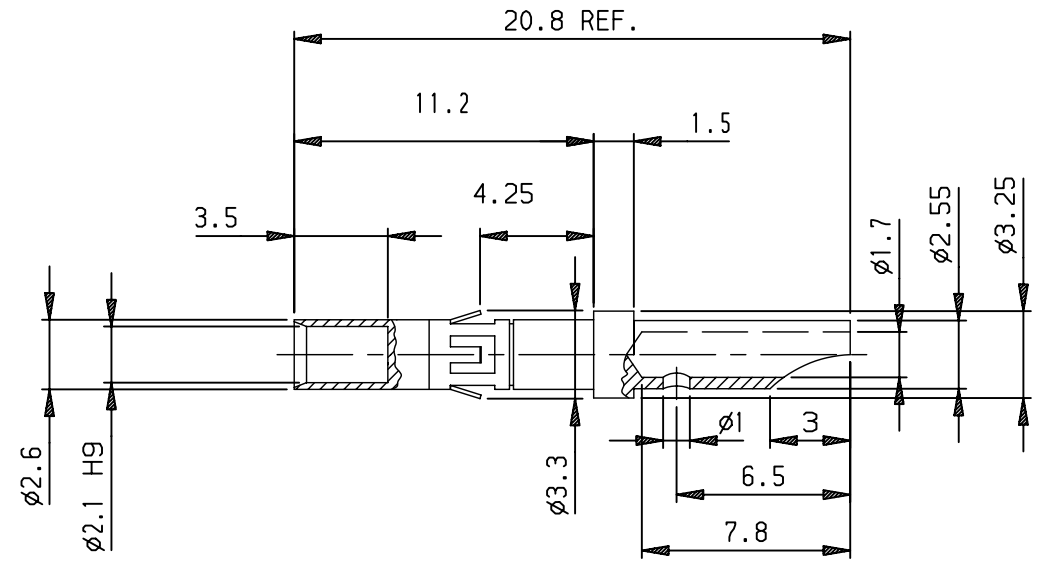
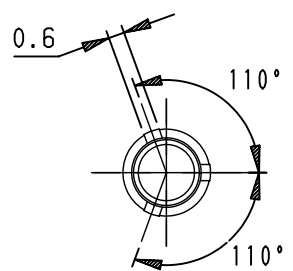


LEAD-FREE P/N	
85971-001LF	SOLDER TO WIRE



Copyright FCI.

NOTES:

1. THIS PRODUCT WITH "LF" SUFFIX MEETS EUROPEAN UNION DIRECTIVES AND OTHER COUNTRY REGULATIONS AS DESCRIBED IN GS -22-008.
2. THE PRODUCT IS NOT INTENDED TO BE EXPOSED TO A MANUFACTURING SOLDER PROCESS.
3. PACKAGING SPEC: SEE GS-14-920

European Views

www.fciconnect.com				surface ISO 1302	<input checked="" type="checkbox"/>	tolerance std ISO 406 ISO 1101	projection ISO 1101	mm	
				TOLERANCES UNLESS OTHERWISE SPECIFIED					
Dr	GOISNARD	2006/03/06		ANGULAR	LINEAR	0.X	±0.1	size A3	
Eng	GOISNARD	2006/03/06		0.XX	±0.1	0.XXX	±0.1	Scale 5	
Chr	LEGARE	2006/03/06		0.XX' ±2'				ECN LS08-0057	
Appr	LEGARE	2006/03/06		Product family		METRAL		Spec ref -	
rev	ecn no	dr	date	FCI title MINI POWER CABLE CONTACT				dwg no 85971	Rev. F
D	LS06-0022	LGO	2006/03/06	catalog no				CUSTOMER	sheet 1 of 2
E	LS07-0214	LGO	2007/08/20						
F	LS08-0057	LGO	2008/02/18						
-	-	-	-						
-	-	-	-						
-	-	-	-						
-	-	-	-						

