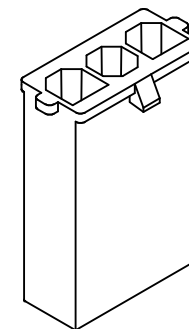
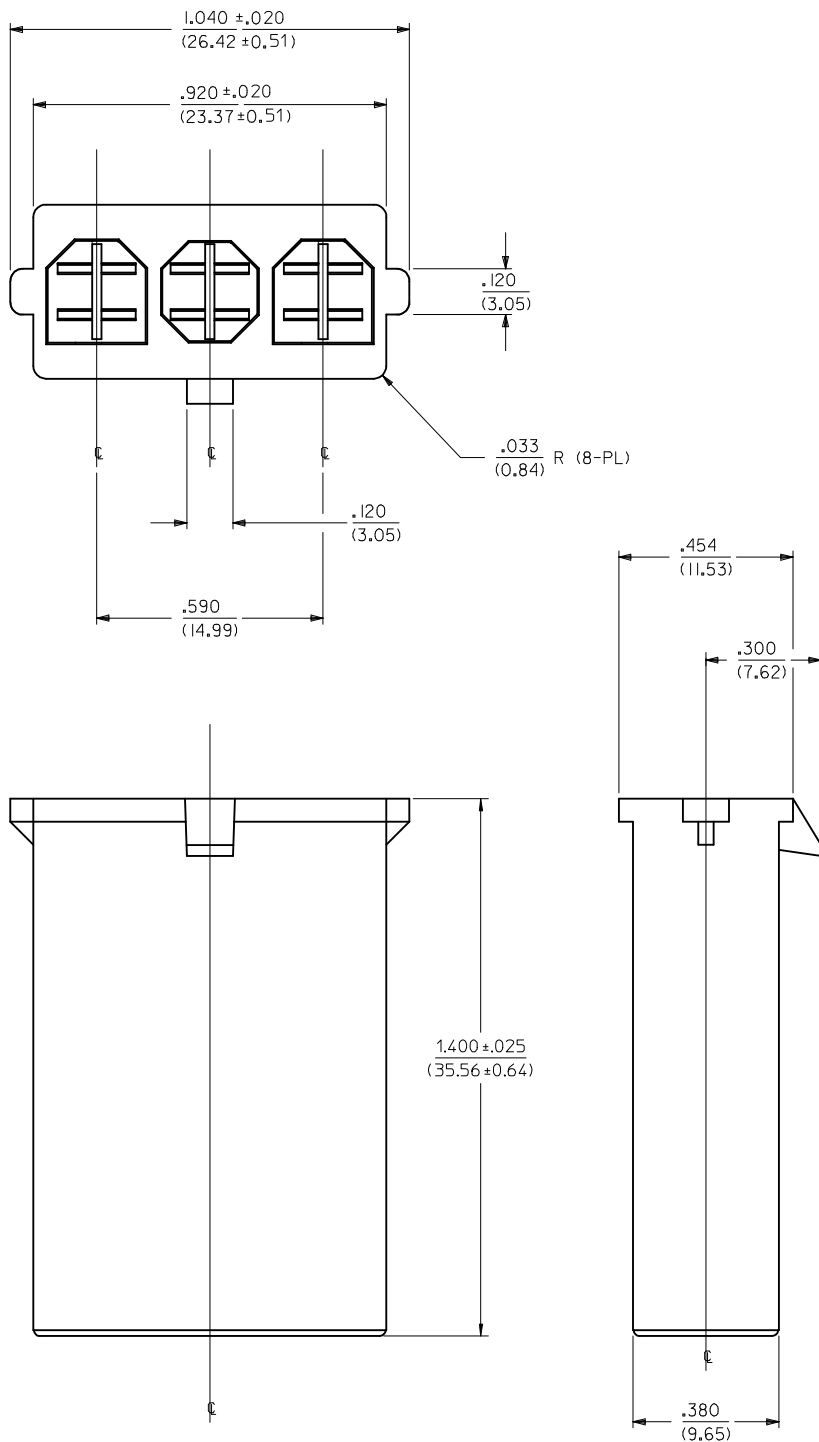


X = NOT RELEASED FOR PRODUCTION

	ITEM NUMBER	MATERIAL (SEE NOTE 1)	COLOR
	43180-1003	A	NATURAL
X	43180-2003	B	BLACK
	OBSOLETE 43180-3003	A	RED
	43180-4003	A	BLUE
	43180-5003	C	BLACK
	43180-7003	E	BLACK

NOTES:

- MATERIAL: A: NYLON, PA66, 94V-2, COLOR: SEE CHART.
B: NYLON, PA66/6, 94V-0, BLACK.
C: UL94V-0, PA66 NYLON.
E: NYLON, UL94V-2, COLOUR:BLACK, IEC 60335-1, GLOW WIRE CAPABLE.
- FINISH: NONE
- PRODUCT SPECIFICATION: PSX-43335-9999.
- PACKAGING SPECIFICATION: PK-43180-001.
- THIS CONNECTOR HOUSING FOR USE WITH 43178-**** TERMINALS.
- THIS CONNECTOR HOUSING WILL MATE TO 43335-***3, 43179-***3, AND 44441-***3 HOUSINGS.
- PARTS CONFORM TO CLASS B REQUIREMENTS OF COSMETIC SPECIFICATION PS-45499-002 EXCEPT MATERIAL OPTION 'C' MEETS CLASS 'C' REQUIREMENTS FOR SINK AND DISCOLORATION.



ADD-7003 PN EC NO: UCP2014-2000 2013/11/06 DRWNGES CHKD: BANDERSON 2013/11/11 APPR: FSMITH 2014/03/31	QUALITY SYMBOLS	GENERAL TOLERANCES (UNLESS SPECIFIED)	DIMENSION STYLE	SCALE	DESIGN UNITS	THIRD ANGLE PROJECTION
	▽=0	m	IN/MM	4:1	INCH	
	▽=0	INCH	DRAWN BY	DATE	TITLE	
	▽=0	4 PLACES ± --- ± ---	MAB	1995/08/09	3-CIR PLUG HOUSING	
	3 PLACES ± --- ± .010	CHECKED BY	DATE	.125/(3.18)X .020/(0.51)		
	2 PLACES ± 0.25 ± .014	KBP	1995/08/09	FLAT BLADE SYS. - T.P.A.		
	1 PLACE ± 0.35 ± ---	APPROVED BY	DATE			
	0 PLACE ± ±	RAS	1995/08/09			
		ANGULAR ±1/2°	MATERIAL NO.	DOCUMENT NO.		
		DRAFT WHERE APPLICABLE MUST REMAIN WITHIN DIMENSIONS	SEE CHART	SD-43180-*003		
			SIZE C	THIS DRAWING CONTAINS INFORMATION THAT IS PROPRIETARY TO MOLEX. INCORPORATED AND SHOULD NOT BE USED WITHOUT WRITTEN PERMISSION		