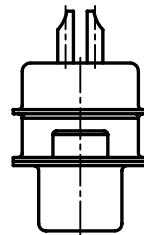
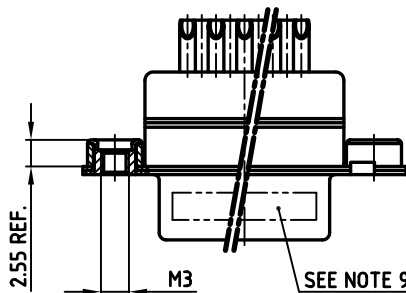
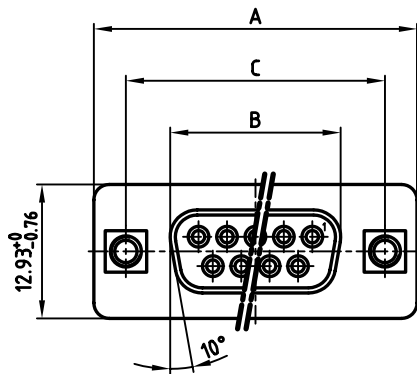
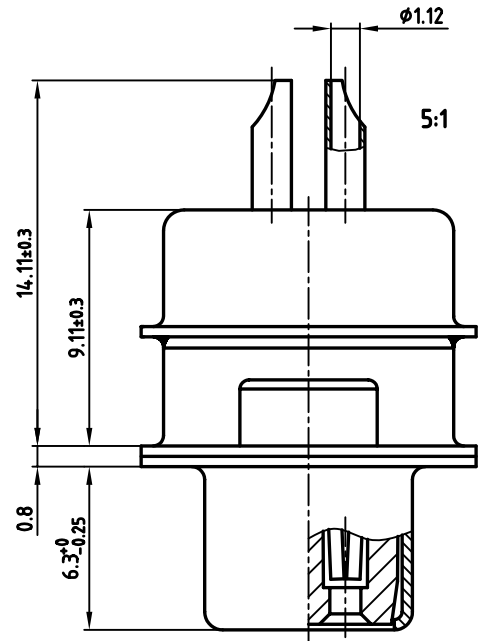


used for: D-SUB π FILTER

No. of pos.	A -0.76	B -0.25	C	Part No.
9	31.19	16.46	25.00 $^{+0.12}_{-0.13}$	242A29300X
15	39.52	24.79	33.30 $^{+0.15}_{-0.1}$	242A29310X
25	53.42	38.50	47.04 ± 0.13	242A29320X
37	69.70	54.96	63.50 ± 0.13	242A29330X



NOTES:

- METALSHELLS: STEEL; min. 315µin TIN over 40-80µin NICKEL
- INSULATORS: HIGH TEMPERATURE PLASTIC UL 94 V-0, BLACK
- CONTACTS: COPPER ALLOY
PLATING: 8µin HARD GOLD OVER min. 50µin NICKEL
SOLDER CUP ACCEPTS CABLE AWG 20
- THREADED INSERT: COPPER ALLOY; min. 200µin TIN over 80µin NICKEL
- COLLAR: COPPER ALLOY; min. 200µin TIN over 80µin NICKEL
- CAPACITANCE: 2 x 180pF $\pm 20\%$
- DIELECTRIC WITHSTANDING VOLTAGE: 424 VDC
- MAXIMUM TORQUE VALUE FOR THREAD: 6 in.LB
- CONNECTOR IS PART MARKED: PART-NO. CONEC ABC

Directive 2002/95/EC
„RoHS“
Compliant

APPROVAL * FREIGABE * DEBLOCAGE * AUTORIZACION * APPROVAL	
CUSTOMER APPROVAL DATE:	
NAME:	TITLE:
COMPANY NAME:	
APPROVAL * FREIGABE * DEBLOCAGE * AUTORIZACION * APPROVAL	

THIS DRAWING MAY NOT BE COPIED OR REPRODUCED IN ANY WAY, AND MAY NOT BE PASSED ON TO A THIRD PARTY, WITHOUT WRITTEN PERMISSION. OWNERSHIP AND COPYRIGHT OF CONEC GmbH DO NOT ALTER CAD DRAWING BY HAND

tolerance		dim. in mm
2006	date	
drawn	31.07.	name Lehmenkühler
appd.	31.07.	Kühle
norm	DIN 41652	
d-old		
a	Origin	
rev.	description	
date	name	

scale:	2:1 (5:1)
material:	SEE NOTES
title:	
D-SUB π FILTER FEMALE 9-37pos. SOLDER CUP with threaded insert	
dwg no:	AutoCAD 2006
24K1A920	
part no:	SEE TABLE
DIN-A	3
sh:	1/1