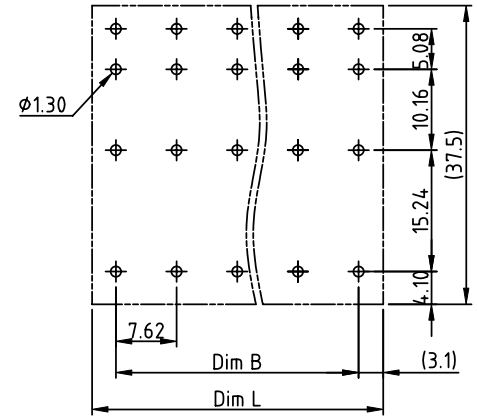
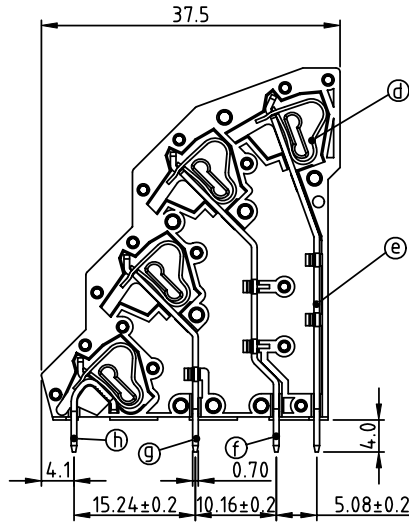
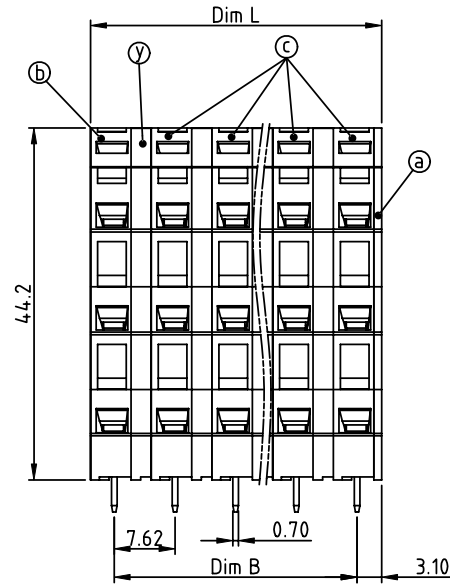


PRODUCT NUMBER	PITCH
HSxx50x000J0G	7.62mm



RECOMMENDED P.C.B LAYOUT
TOP VIEW

Material:

- Item a Insulator(Cover): Thermoplastic (UL94V-0)
- Item d Insulator(Side housing): Thermoplastic (UL94V-0)
- Item c Insulator(Middle housing): Thermoplastic (UL94V-0)
- Item e Spring clamp: Stainless steel
- Item f Solder Pin (The fourth layer) : Brass, Tin plated
- Item g Solder Pin (The third layer) : Brass, Tin plated
- Item h Solder Pin (The second layer) : Brass, Tin plated
- Item i Solder Pin (The first layer) : Brass, Tin plated
- Item y Insulator(pad board): Thermoplastic (UL94V-0)

Electrical:

- Voltage rating: cULus 300V
- Current rating: 10A
- Wire range:
- Solid wire(AWG): 12-28
- Stranded wire(AWG): 12-28
- Wire strip length: 6-7mm
- Withstanding Voltage: 1.6KV
- Operating temperature: -40°C to +115°C
- Soldering temperature: 260°C±5°C/5 Sec
- Safety Approval: cULus

N=Number of poles
Dim L=N/4×7.62+1.0
Dim B=(N/4-1)×7.62

Poles	Dim L	Dim B
4×2p-4×4p	±0.15	±0.15
4×5p-4×8p	±0.25	±0.25
4×9p-4×12p	±0.35	±0.30
4×12p-4×16p	±0.45	±0.40

PART NO.: HS xx 50 x 000J0 G

No. of poles	Color	RoHS compliant
0	Black (RAL9005)	(lead<4%) In copper Alloy
2	Red (RAL3001/D)	
3	Orange(RAL2011/P)	
4	Yellow(RAL1018/A)	
5	Green(RAL6018/T)	
6	Blue (RAL5015/A)	
8	Grey(RAL7004/P)	
9	White(RAL1102)	
C	Multiple colors	

mat'l. code		surface ASME Y14.5	tolerance ASME Y14.5	projection	product family
ltr ecn no dr date		tolerances unless otherwise specified		MM	TERMINAL BLOCK
		angles	X.±0.5	MM	title
		±	X.X±0.3	scale	TERMINAL BLOCK
		X*±1*	X.XX±0.1		SPRING CLAMP,45D WIRE INLET,4-LEVEL, PARALLEL TYPE
		dr	EVIN ZHONG 053014	FCI	dwg no
		enr	EVIN ZHONG 053014		sheet 1 of 1
		chr	HANKE FENG 053014		size
		appd	SHI JUN 053014		A4
sheet index	revision sheet	A			type CUSTOMER Drawing