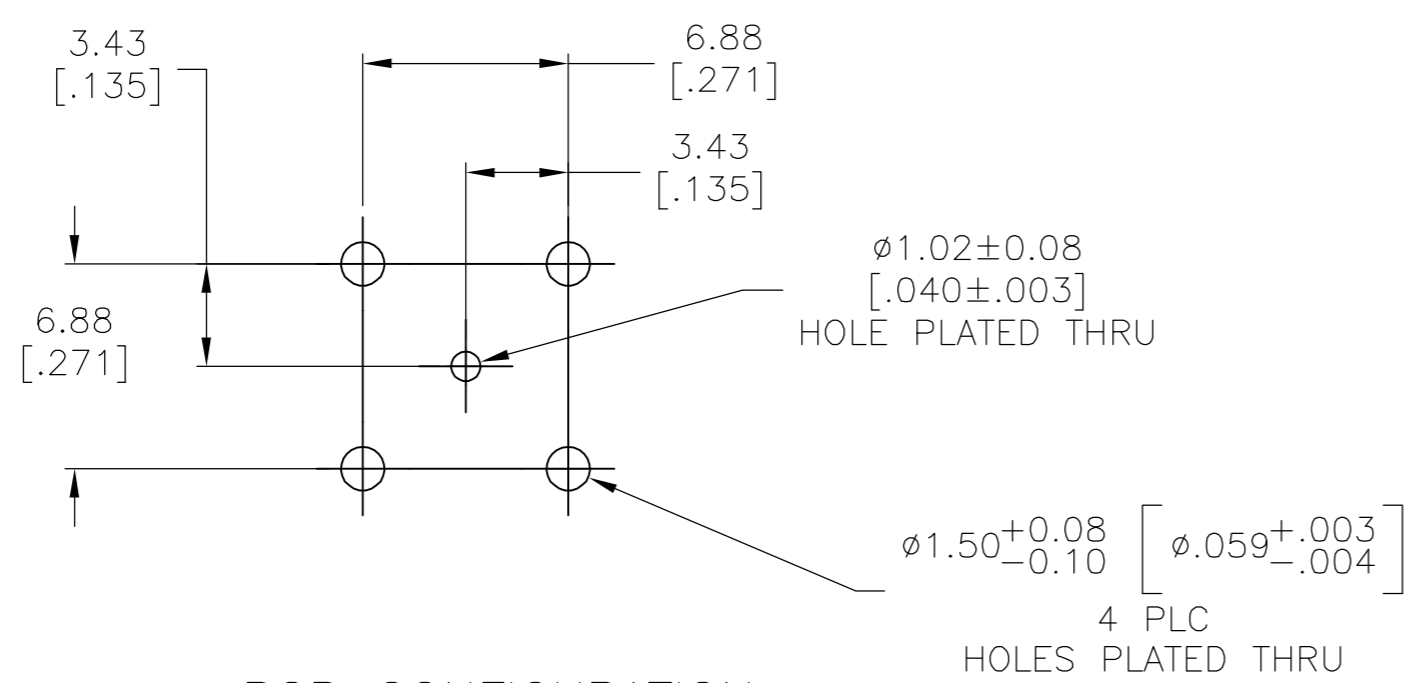
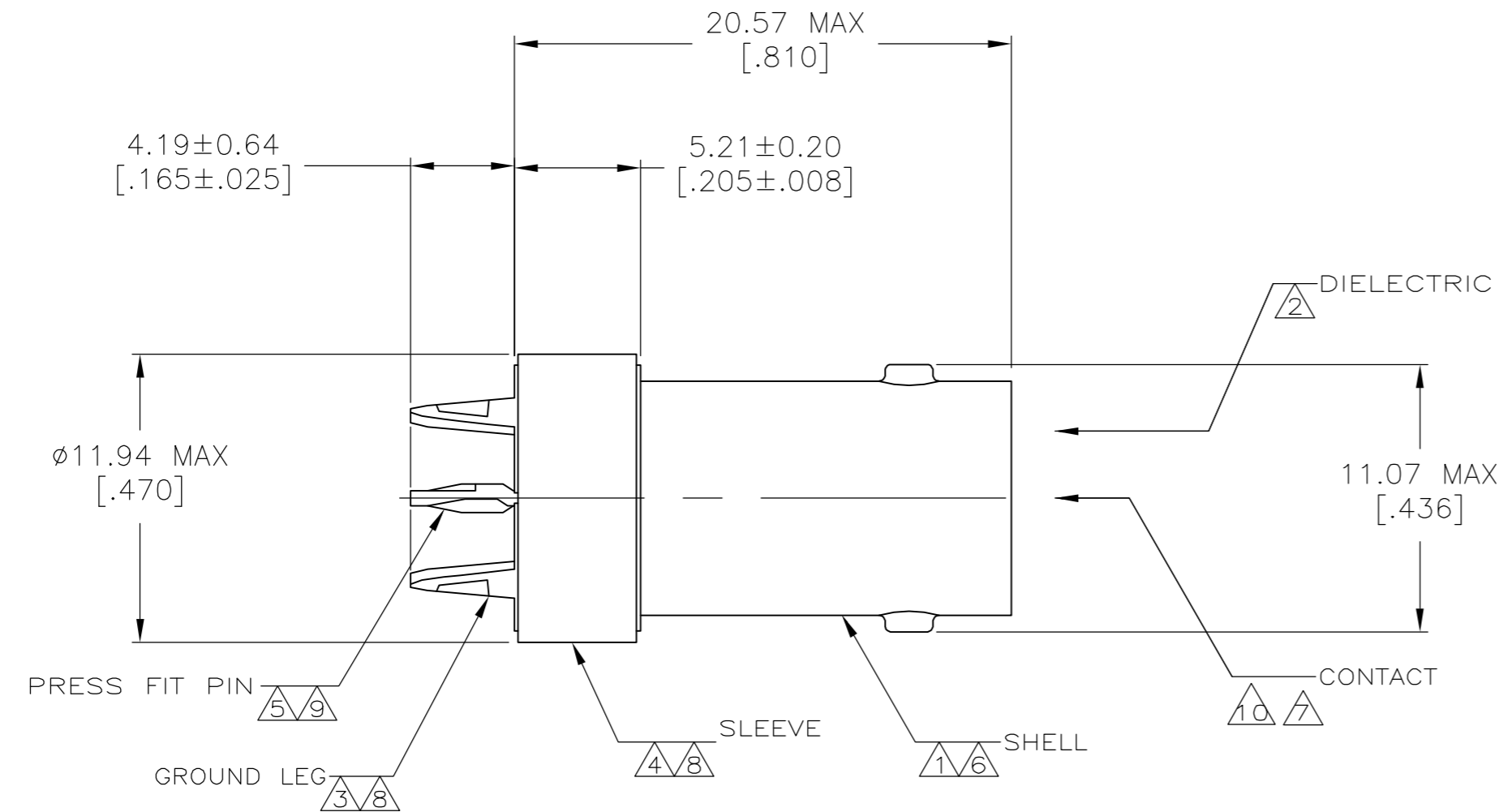


THIS DRAWING IS UNPUBLISHED. RELEASED FOR PUBLICATION  
 © COPYRIGHT BY TYCO ELECTRONICS CORPORATION. ALL RIGHTS RESERVED.

Loc	DIST	REVISIONS			
P	LTR	DESCRIPTION	DATE	DWN	APVD
AJ	16	B	REVISED PER ECO 07-002853	21MAR2007	DW JL



- 1 ZINC PER QQ-Z-363.
- 2 PTFE PER MIL-P-19468.
- 3 COPPER-IRON ALLOY PER ASTM-B-465.
- 4 COPPER PER QQ-C-576.
- 5 COPPER-NICKEL ALLOY PER ASTM-B-122.
- 6 NICKEL PLATE PER QQ-N-290  
3.81  $\mu\text{m}$  [.000150] MINIMUM THICK.
- 7 GOLD PLATE PER MIL-G-45204  
0.76  $\mu\text{m}$  [.000030] MINIMUM THICK.
- 8 TIN PLATE PER ASTM-B-545,  
2.54  $\mu\text{m}$  [.000100] MIN THICK.
- 9 GOLD PLATE PER MIL-G-45204
- 10 BERYLLIUM COPPER PER ASTM-B-643
- 11 .010±.001 THICK, MYLAR (POLYESTER FILM) INSULATOR, AMP P/N 1274912-1, ATTACHED TO BOTTOM, (NOT SHOWN).

12. CONNECTOR PRESS FIT IS DESIGNED TO PROVIDE 100 LB. MINIMUM AXIAL RETENTION TO PCB COMPLIANT WITH TYCO APPLICATION SPEC 114-12001. AS A RESULT, DEFORMATION OF PLATED THROUGH HOLES WILL OCCUR. CUSTOMER VALIDATION AND ACCEPTANCE OF THIS DEFORMATION IS RECOMMENDED PRIOR TO SPECIFYING USE OF THIS PRODUCT.

5222462-4
5222462-1
PART NUMBER

THIS DRAWING IS A CONTROLLED DOCUMENT.		DWN J. ALCORTA - DOCK5 22APR2005	tyco Electronics Tyco Electronics Corporation Harrisburg, Pa 17105-3608	
DIMENSIONS: mm [INCHES]		CHK J. HAVENER 22APR2005	NAME JACK, PCB, HIGH RETENTION PRESS FIT, 75 OHM, BNC	
TOLERANCES UNLESS OTHERWISE SPECIFIED:		APVD J. LIPPERT 22APR2005	PRODUCT SPEC 108-12103	
0 PLC ± -		APPLICATION SPEC 114-12001		
1 PLC ± -		SIZE A2		
2 PLC ± 0.05 [.002]		CAGE CODE 00779		
3 PLC ± -		DRAWING NO C=5222462		
4 PLC ± -		RESTRICTED TO -		
ANGLES ± -		SCALE 5:1		
FINISH		SHEET 1 OF 1		
1 THRU 5,10,11		REV B		
6 THRU 10		CUSTOMER DRAWING		