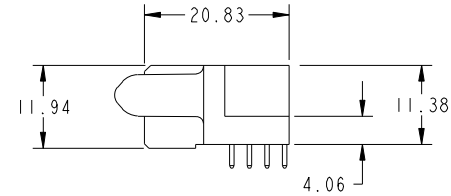
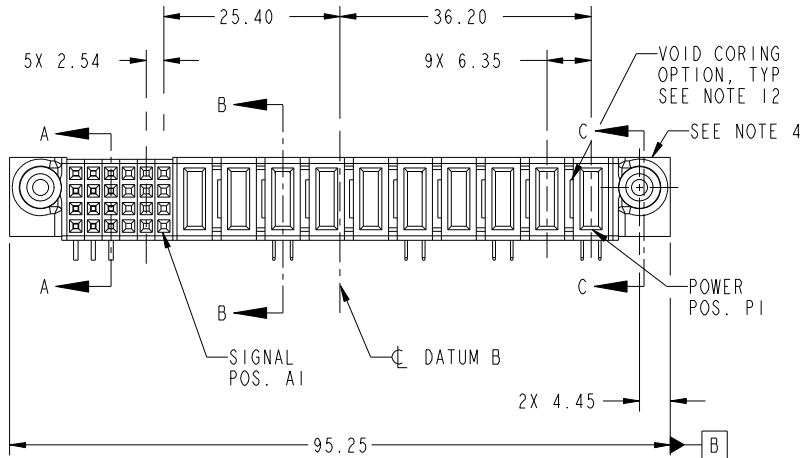


Tous droits strictement reserves. Reproduction ou communication a des tiers interdite sous quelque forme que ce soit sans autorisation écrite du propriétaire. Propriete de c FCI. Droits de reproduction FCI.

All rights strictly reserved. Reproduction or issue to third parties in any form whatever is not permitted without written authority from the proprietor. Property of FCI. Copyright FCI.



PRODUCT NO.	ROWS	SIGNAL						POWER						E1					
		E2	6	5	4	3	2	1	P10	P9	P8	P7	P6		P5	P4	P3	P2	P1
51772-019-- NOTE 3	D C B A		H	H	H	X	X	X	X	X	PA	X	X	PC	X	PC	X	PC	
			G	G	G	X	X	X	X	X		X	X						
			F	F	F	X	X	X	X	X		X	X						
			E	E	E	X	X	X	X	X		X	X						



CODE	DIM "M" MATING LENGTH	CONTACT TYPE
PC	[2.34]	POWER
H	[N/A]	SIGNAL
G	[N/A]	SIGNAL
F	[N/A]	SIGNAL
E	[N/A]	SIGNAL
PA	[1.07]	POWER

mat'l code				SEE NOTE 2		tolerances unless otherwise specified		CUSTOMER		FCI	
ltr	ecn no.	dr	date	linear	0.X ± 0.5	projection		COPY		www.fciconnect.com	
A	DG10-0247	WD	07/01/10	angles	0.XX ± 0.25	MIM		title		10P + 24S	
				dr	0.XXX ± 0.1	scale		product family		PwrBlade	
				enr	0° ± 2°	1:1		size		code	
				chr	Warren Du 04/30/10			dwg no		213	
				appd	Warren Du 04/30/10			51772-019		sheet	
					PM ZHENG 04/30/10			1 of 4			
					Joseph Hsia 04/30/10						
sheet index	revision sheet	A	A	A	A						
		1	2	3	4						

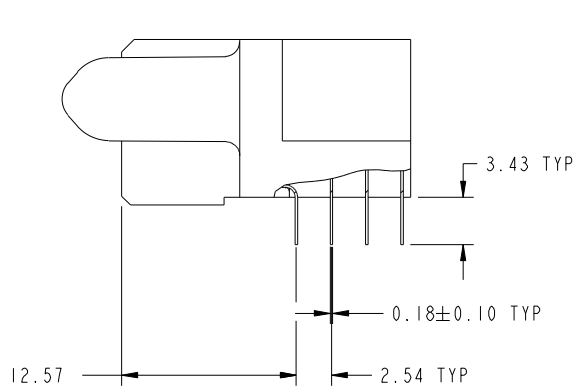
cage code 22526

Tous droits strictement reserves. Reproduction ou communication a des tiers interdite sous quelque forme que ce soit sans autorisation écrite du propriétaire. Propriete de c FCI. Droits de reproduction FCI.

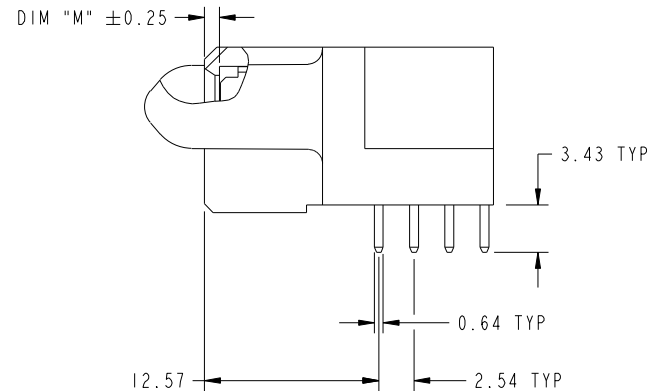
All rights strictly reserved. Reproduction or issue to third parties in any form whatever is not permitted without written authority from the proprietor. Property of FCI. Copyright FCI.



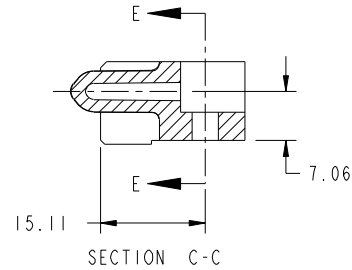
PRODUCT NUMBER
51772-019--
NOTE 3



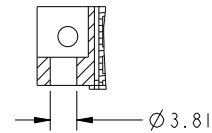
BROKEN-OUT SECTION A-A
SCALE 2:1



BROKEN-OUT SECTION B-B
SCALE 2:1



SECTION C-C



PARTIAL SECTION E-E

mat'l code				SEE NOTE 2		tolerances unless otherwise specified		CUSTOMER		FCI	
ltr	ecn no.	dr	date	linear	0.X ± 0.5		COPY		www.fciconnect.com		
A					0.XX ± 0.25		projection		title		
					0.XXX ± 0.1				10P + 24S R/A SOLDER RECEPTACLE		
				angles	0° ± 2°				product family		code
				dr	Warren Du	04/30/10	scale		PwrBlade		213
				enr	Warren Du	04/30/10	1:1		size		sheet
				chr	PM ZHENG	04/30/10			dwg no		2 of 4
				appd	Joseph Hsia	04/30/10			A		51772-019
sheet index	revision sheet										

cage code 22526

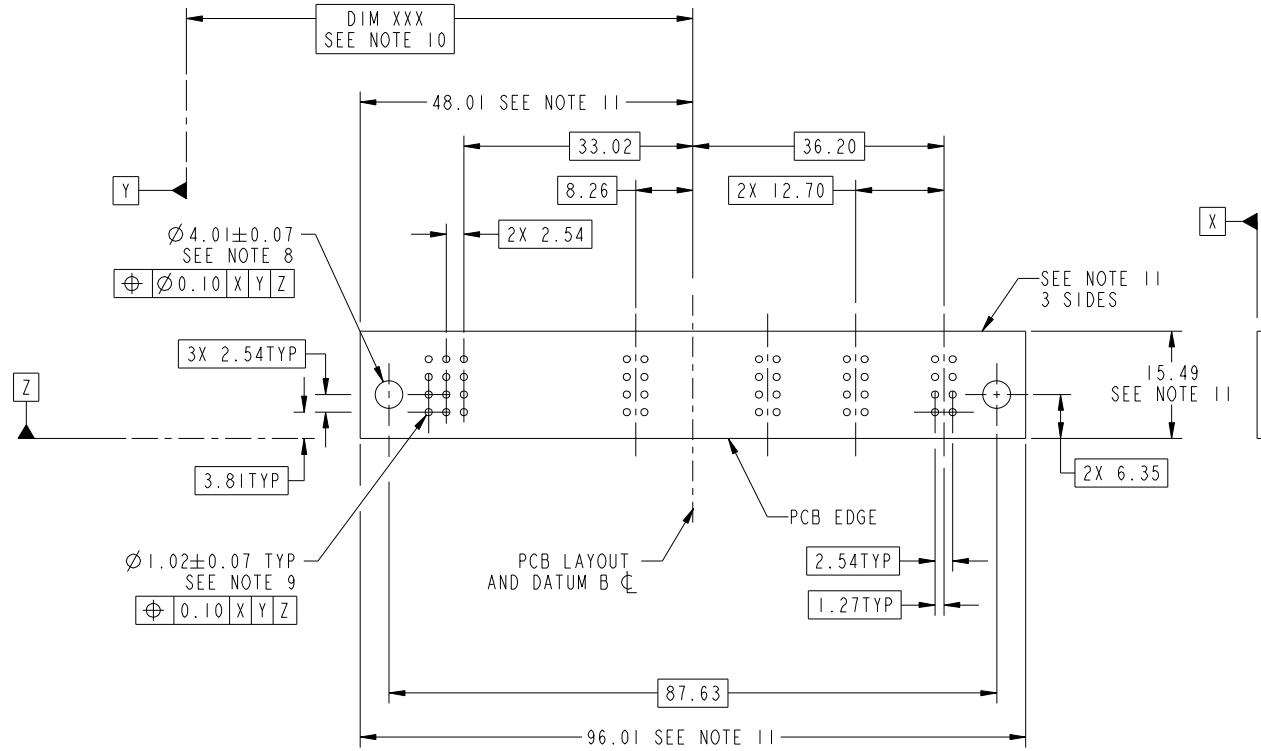
Pro/E

Tous droits strictement reserves. Reproduction ou communication a des tiers interdite sous quelque forme que ce soit sans autorisation écrite du propriétaire. Propriete de c FCI. Droits de reproduction FCI.



All rights strictly reserved. Reproduction or issue to third parties in any form whatever is not permitted without written authority from the proprietor. Property of FCI. Copyright FCI.

PRODUCT NUMBER
51772-019--
NOTE 3



RECOMMENDED PCB LAYOUT

mat'l code		SEE NOTE		tolerances unless otherwise specified		CUSTOMER		FCI	
ltr	ecr no.	dr	date	linear	0.X ± 0.5	COPY		www.fciconnect.com	
A					0.XX ± 0.25	projection		title	
				angles	0.XXX ± 0.1			10P + 24S R/A SOLDER RECEPTACLE	
				dr	Warren Du 04/30/10	MIM		product family PwrBlade code	
				enr	Warren Du 04/30/10			size 213	
				chr	PM ZHENG 04/30/10	scale		dwg no 51772-019 sheet	
				appd	Joseph Hsia 04/30/10	1:1		3 of 4	
sheet index	revision sheet								

cage code 22526

Pro/E

Tous droits strictement reserves. Reproduction ou communication a des tiers interdite sous quelque forme que ce soit sans autorisation écrite du propriétaire. Propriete de c FCI. Droits de reproduction FCI.



All rights strictly reserved. Reproduction or issue to third parties in any form whatever is not permitted without written authority from the proprietor. Property of FCI. Copyright FCI.

PRODUCT NUMBER
51772-019--
NOTE 3

NOTES:

1. DIMENSIONS AND TOLERANCES ARE IN ACCORDANCE WITH ASME Y14.5M, 1994 UNLESS OTHERWISE SPECIFIED.

CONNECTOR NOTES:

- 2. HOUSING MATERIAL: UL 94 V-0 GLASS FILLED HIGH-TEMP THERMOPLASTIC
POWER CONTACT MATERIAL: COPPER ALLOY
SIGNAL PIN MATERIAL: COPPER ALLOY
- 3. SEE ITEM 5 & 6 IN PRINT 10064183 FOR PLATING SPEC OF 51772-019 AND 51772-019LF RESPECTIVELY.
- 4. MANUFACTURER'S NAME, DATE CODE AND OPTIONAL P/N TO APPEAR ON THIS SURFACE. THE P/N CAN BE OMITTED IF THERE IS NOT ENOUGH SPACE ON THIS SURFACE.
- 5. PRODUCT SPECIFICATION GS-12-149.
APPLICATION SPECIFICATION BUS-20-067.
- 6. PACKAGED IN TRAYS.

PCB NOTES:

- 7. ALL HOLE DIAMETERS ARE FINISHED HOLE SIZE.
- 8. MOUNTING HOLES, WHERE APPLICABLE, ARE UNPLATED.
- 9. $\varnothing 1.151 \pm 0.025$ DRILLED HOLES PLATED WITH
0.008 MIN SnPb OR Sn OVER 0.03
TO 0.08 Cu PLATING TO ACHIEVE
 $\varnothing 1.02 \pm .07$ HOLE.
- 10. "DIM XXX" TO BE DETERMINED BY THE CUSTOMER.
- 11. CONNECTOR KEEP-OUT ZONE.
- 12. THE VOID CORING IN BETWEEN POWER MODULES, SIGNAL MODULES AND END MODULES ARE OPTIONAL AND THE SHAPE MAY BE DIFFERENT FOR OPTIMIZE THE MOLDING PROCESS. THE VOID CORING WILL NOT EFFECT TO PRODUCT FUNCTION.

mat'l code		SEE NOTE 2		tolerances unless otherwise specified		CUSTOMER		FCI		www.fciconnect.com	
ltr	ecr no.	dr	date	linear	0.X ± 0.5	COPY		 title 10P + 24S R/A SOLDER RECEPTACLE			
A					0.XX ± 0.25	projection					
				angles	0.XXX ± 0.1	 MIM					
				dr	Warren Du 04/30/10	product family		PwrBlade	code	213	
				enrg	Warren Du 04/30/10	size		dwg no	sheet	4 of 4	
				chr	PM ZHENG 04/30/10	scale		A	51772-019		
				appd	Joseph Hsia 04/30/10	1:1					
sheet index	revision sheet										

cage code 22526

Pro/E