



Battery Management System Designer Kit

Safety Isolation and EMI Noise Suppression

Solutions for Electrical Vehicles and Energy Storage Systems
Designer Kit # UKIT-008BM

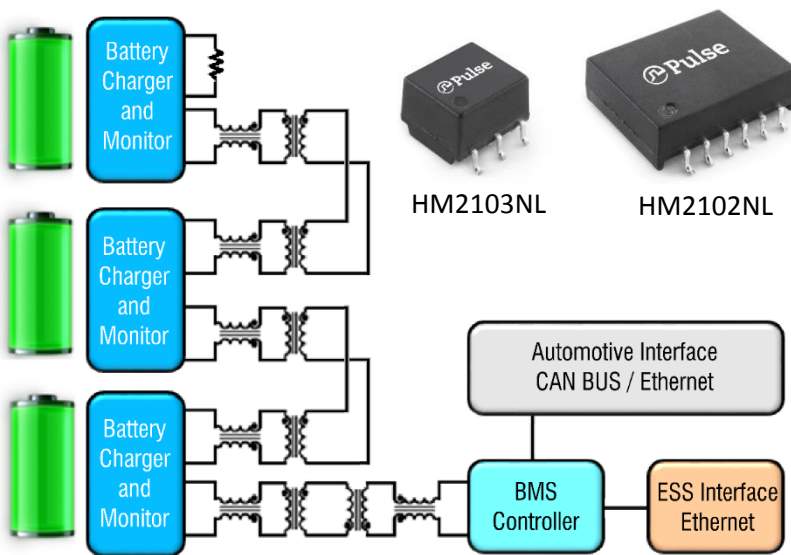
Pulse Electronics offers full Line of isolation transformers and common mode chokes for small to large battery pack systems for serial port safety isolation and EMI noise rejection application. In large battery pack applications with daisy chain connections, the number of cells connected in series is very high, and the large voltage differences demand component-to-component isolation. The serial communication links between boards need to be isolated by transformer coupling circuits instead of capacitor coupling.

Features and Benefits:

- Supports BMS isolation and EMI solutions
- Supports serial Daisy Chain isoSPI, SPI and other signal isolation
- Meets AEC-Q200 requirements
- PPAP documentation upon request
- IATF 16949:2016
- Operating temp. -40C up to +150C
- Multiple options for working voltages and voltage isolation
- 15 Years working life on Isolation

Application:

- Electric Vehicle
- Energy Storage Systems
- Data Center UPS
- Solar energy storage
- Green – Renewable
- Marine



Battery Management System



[Datasheets](#)



[Buy Now](#)



Part List - BMS Designer Kit #UKIT-008BM

Pulse Number	No of Channel	Working Voltage (Vdc)	HI-POT Isolation	Creepage Distance	Operation Temp	Supported IC	# of Parts
HM1188NL	2	100	1500Vrms	-	-40~125°C	Linear Tech 6820/6804/6811	4
HM1331NL	2	1000	4000Vrms	-	-40~85°C	Linear Tech	4
HM2100NL	2	1000	4300Vdc	>10mm	-40~125°C	Linear Tech 6820/6804/6811	4
HM2101NL	1	1000	4300Vdc	>5mm	-40~125°C	Linear Tech 6820/6804/6811	8
HM2102NL	2	1000	4300Vdc	>8mm	-40~125°C	Linear Tech 6820/6804/6811 NXP MC33664/33771	8
HM2103NL	1	1000	4300Vdc	>5mm	-40~125°C	Linear Tech 6820/6804/6811 NXP MC33664/33771	8
HM2106NL	1	1000	4300Vdc	>11mm	-40~125°C	Linear Tech 6820/6804/6811 NXP MC33664/33771	8
HM2108NL	1	1000	4300Vdc	>11mm	-40~125°C	Linear Tech 6820/6804/6811 NXP MC33664/33771	6
HM1236NL	1	600	3200Vdc	>7mm	-40~125°C	MAX17823/11068	8
HM1237NL	2	600	2500Vac	-	-40~125°C	MAX17823/11068	4
HM1238NL	1	1000	4300Vdc	-	-40~150°C	MAX17823/11068	4

Pulse Number	Description	Impedance (Ohm) @100MHZ Range	I (mA)	Size (mm)	# of Parts
PE-0805FB102ST	Ferrite Bead	750~1250	400	2.00x1.25x.85	20
PE-1812ACC101STS	Chip Choke	3000~7500	200	4.50x3.20x2.80	20