

MATERIALS AND FINISH

BODY: ZINC ALLOY  
PLATED TIN OVER NICKEL OVER COPPER

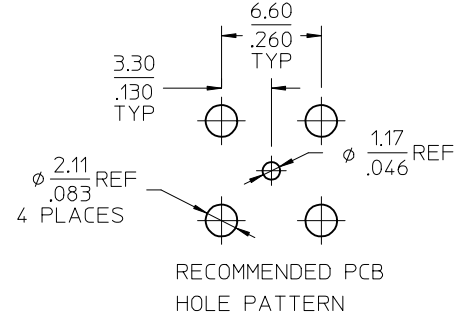
CENTER CONTACT: PHOSPHOR BRONZE  
PLATED SEE TABLE

INSULATOR: TEFLON

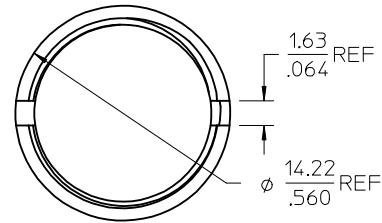
LOW PROFILE JAM NUT, HEX HEAD NUT: BRASS  
PLATED NICKEL

WASHER: PHOSPHOR BRONZE  
PLATED NICKEL

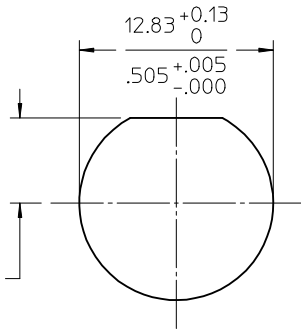
ALL PARTS PACKAGED IN TRAYS  
EXCEPT AS NOTED



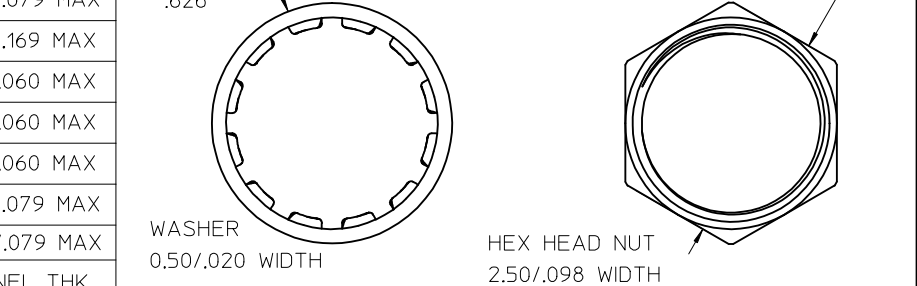
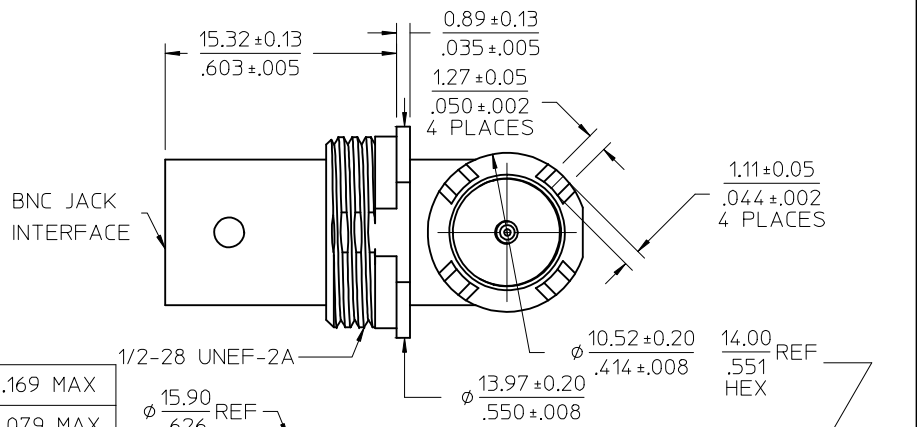
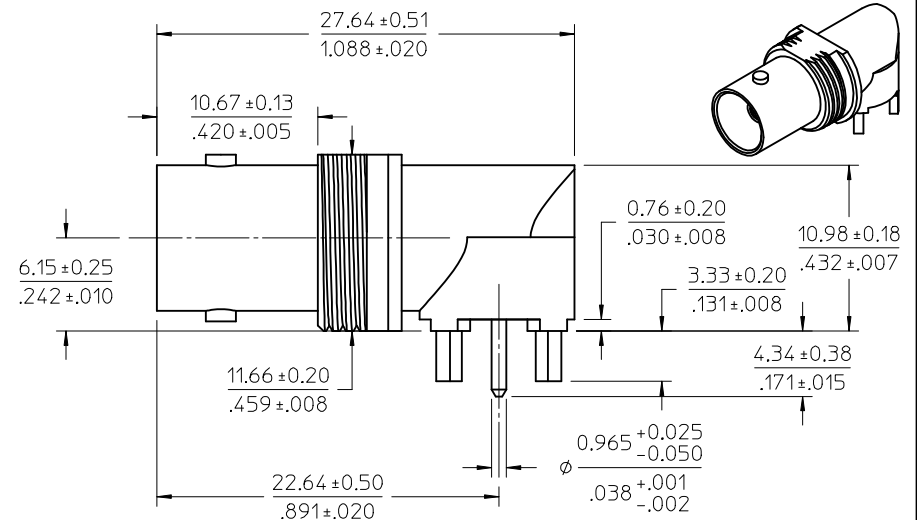
RECOMMENDED PCB HOLE PATTERN



LOW PROFILE JAM NUT  
2.50/.098 WIDTH



RECOMMENDED PANEL CUTOUT  
MAX PANEL THICKNESS: SEE TABLE



73171-3357	10u GOLD CONTACT/ HARDWARE NOT INCLUDED	4.30/.169 MAX
73171-3356	73171-3350 PACKED ONE PER BAG	2.00/.079 MAX
73171-3355	30u GOLD CONTACT/ HARDWARE NOT INCLUDED	4.30/.169 MAX
73171-3354	10u GOLD CONTACT/ HARDWARE INCL'D: LOW PROFILE JAM NUT & WASHER	1.52/.060 MAX
73171-3353	30u GOLD CONTACT/ HARDWARE INCLUDED: WASHER AND HEX HEAD NUT	1.52/.060 MAX
73171-3352	10u GOLD CONTACT/ HARDWARE INCLUDED: WASHER AND HEX HEAD NUT	1.52/.060 MAX
73171-3351	30u GOLD CONTACT/ HARDWARE INCLUDED: LOW PROFILE JAM NUT ONLY	2.00/.079 MAX
73171-3350	10u GOLD CONTACT/ HARDWARE INCLUDED: LOW PROFILE JAM NUT ONLY	2.00/.079 MAX
PART NO.	DESCRIPTION:	PANEL THK

PS-89675-2020	ELECTRICAL/MECHANICAL
SPECIFICATION	DESCRIPTION

CHG: REVISED PANEL THK OF -3355/-3357	QUALITY SYMBOLS
EC NO: URF2015-0439	▽=0
DRW:WME102 2015/02/11	▽=0
CHKD: APPR:YCHENG	
REV: B1	

GENERAL TOLERANCES (UNLESS SPECIFIED)
4 PLACES ± .005
3 PLACES ± .004
2 PLACES ± .003
1 PLACE ± .002
ANGULAR ± 2°
DRAFT WHERE APPLICABLE MUST REMAIN WITHIN DIMENSIONS

DIMENSION STYLE	SCALE
MM/IN	DESIGN UNITS METRIC
DRAWN BY JDW	DATE 2008/01/17
CHECKED BY SSS	DATE 2008/01/17
APPROVED BY JW IENER	DATE 2010/02/03
MATERIAL NO.	DOCUMENT NO.
SEE TABLE	SD-73171-335

TITLE	THIRD ANGLE PROJECTION
BNC JACK RA PCB 75 OHM 3 GHZ BULKHEAD RM EWR 3520 BNC-J/PCB	
MOLEX INCORPORATED	
SHEET NO. 1 OF 1	
THIS DRAWING CONTAINS INFORMATION THAT IS PROPRIETARY TO MOLEX INCORPORATED AND SHOULD NOT BE USED WITHOUT WRITTEN PERMISSION	