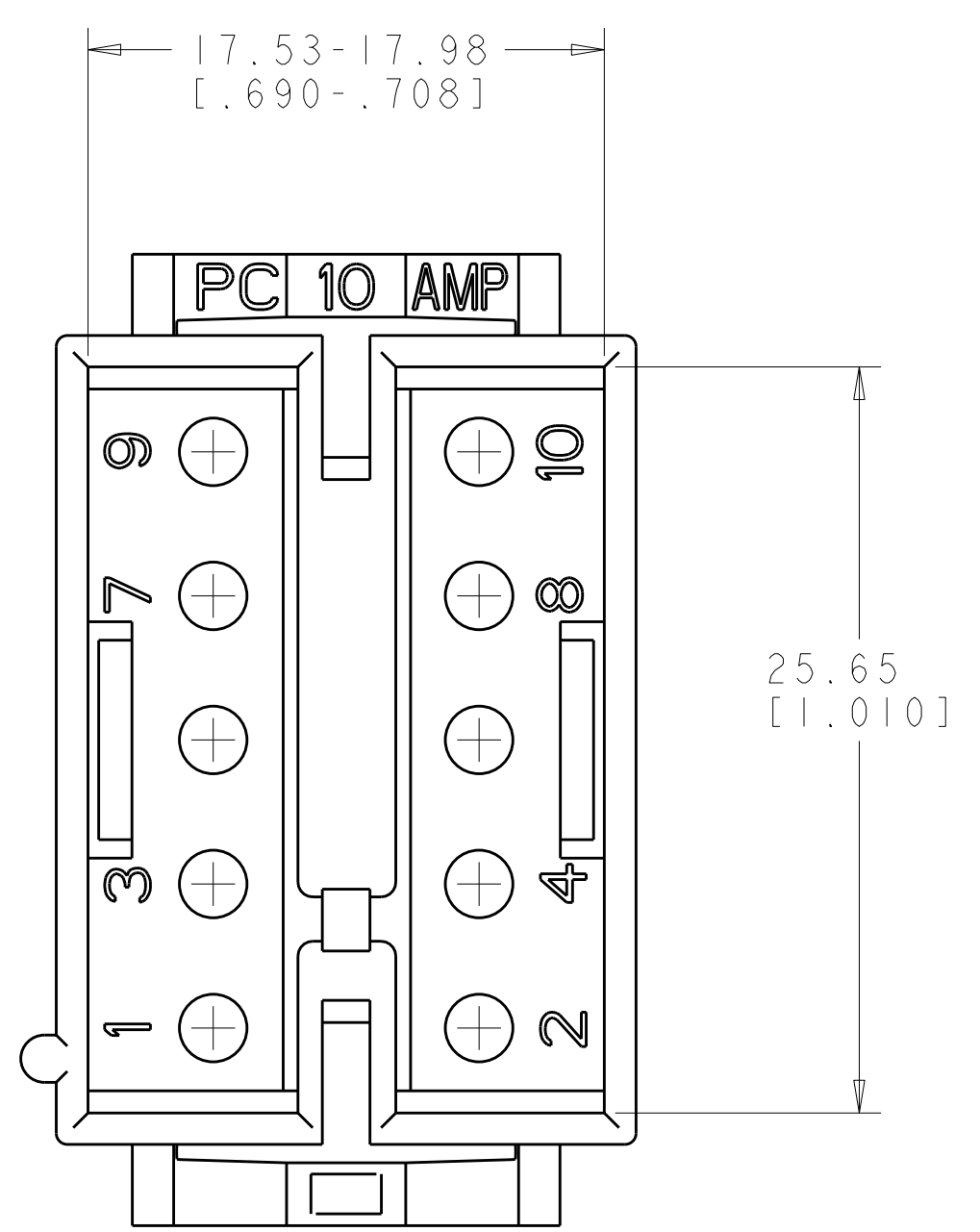
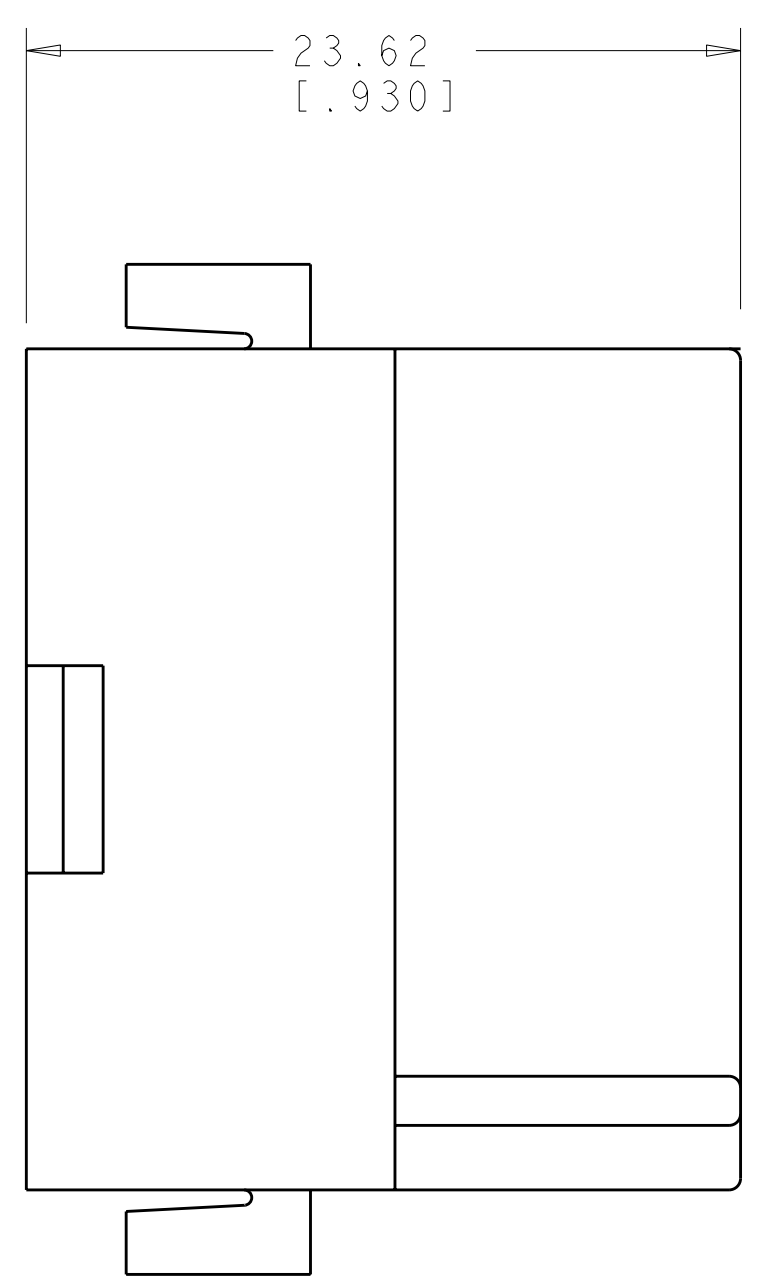
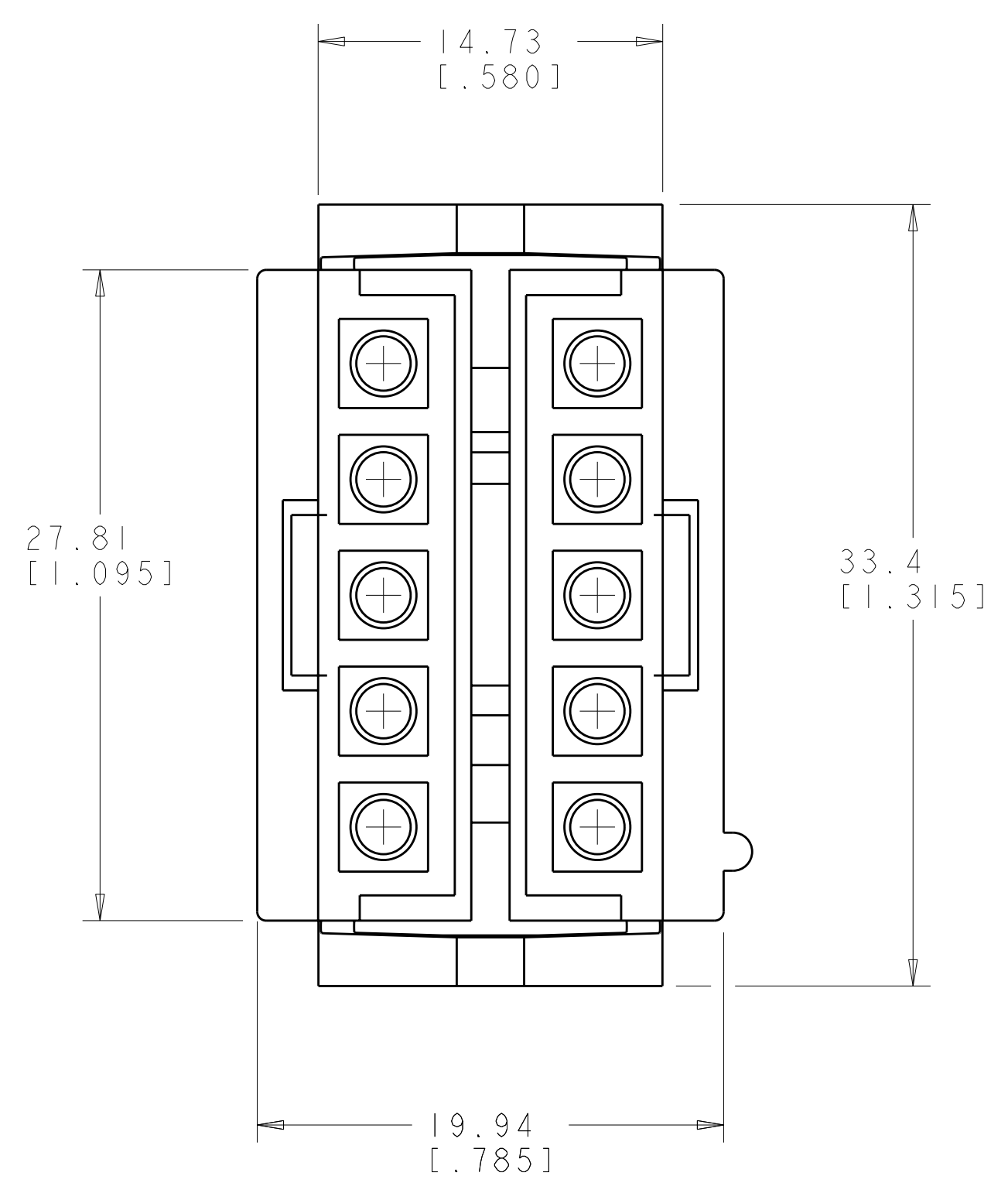
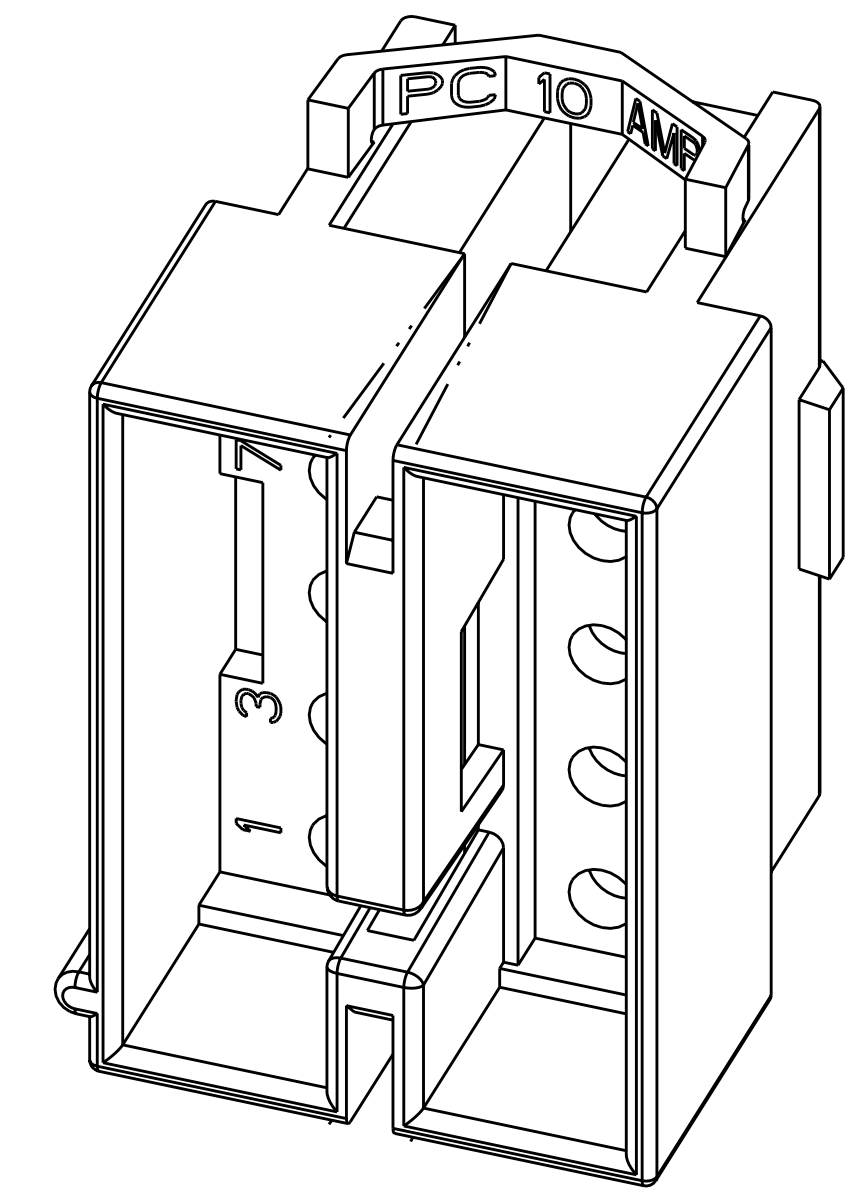
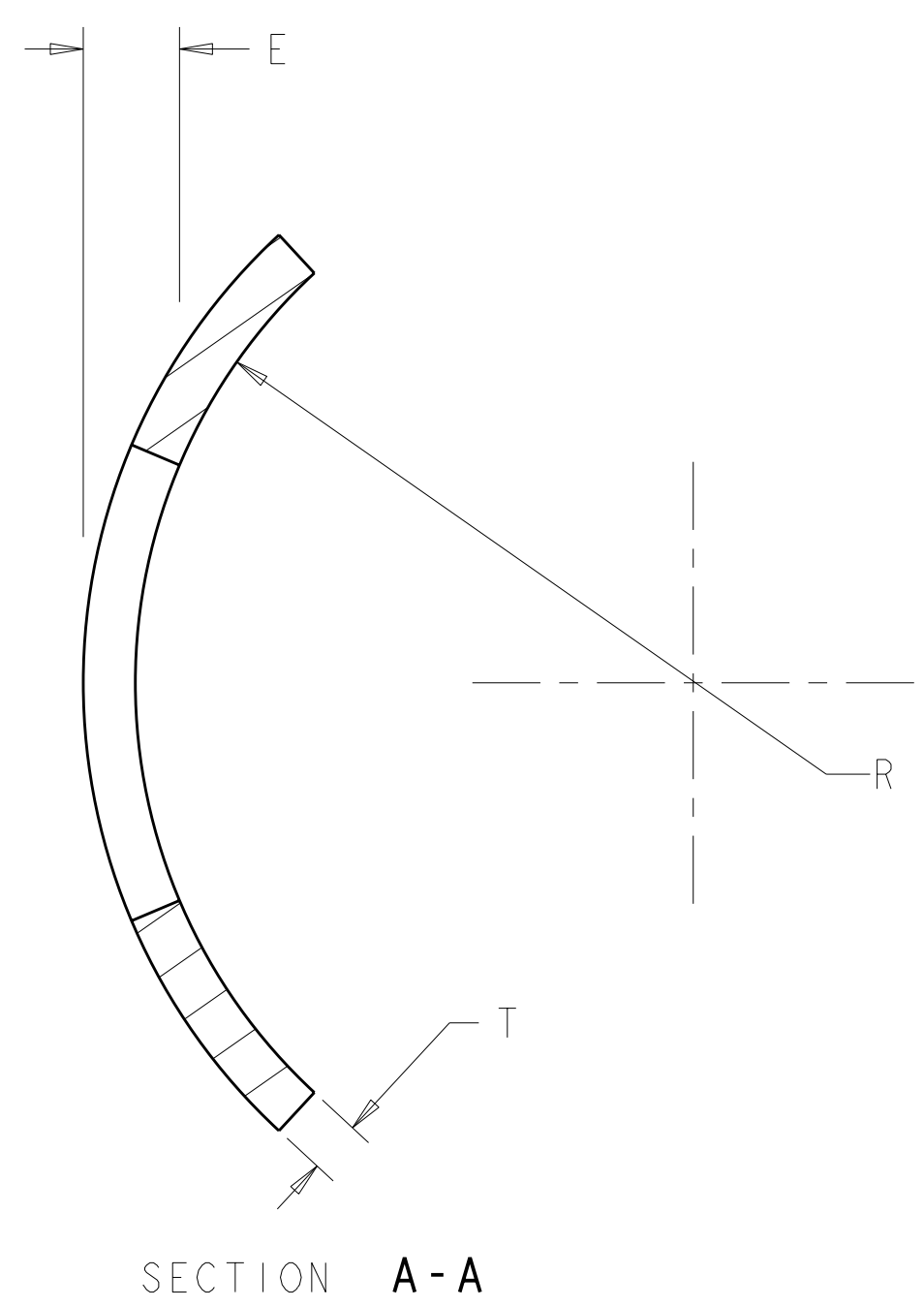
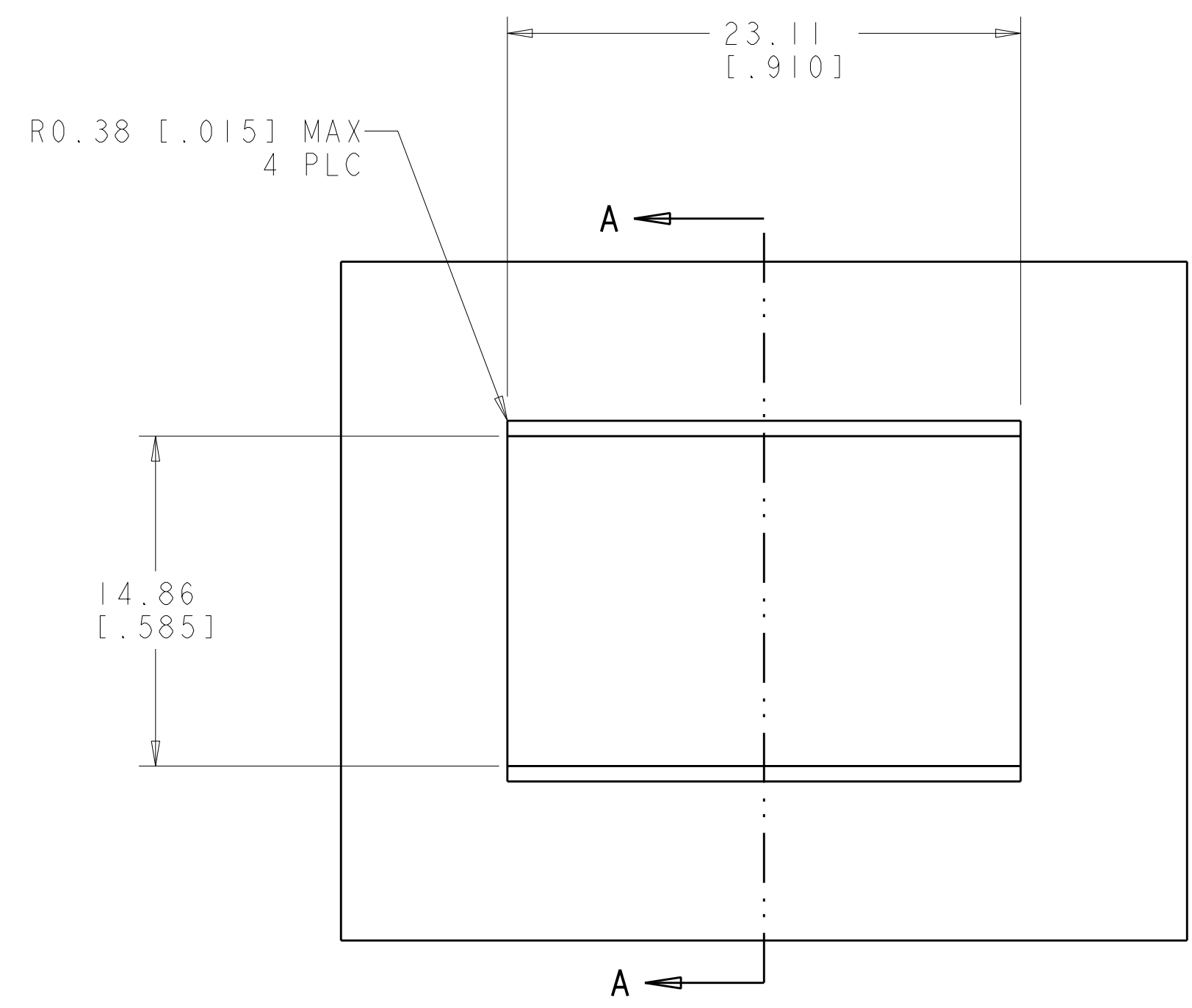
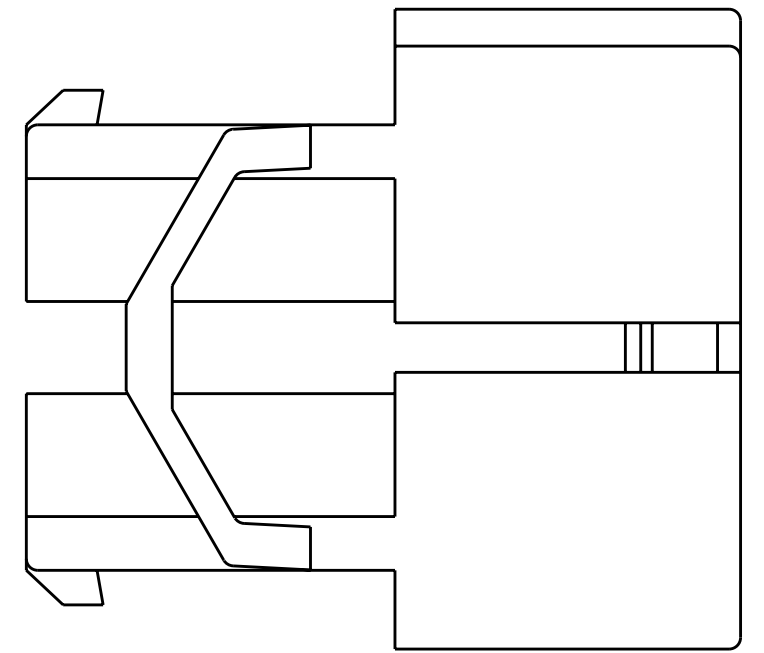


LOC	DIST	REVISIONS			
CM	00	REV	DATE	DWN	APVD
		HI	REVISED PER ECO-08-023758	24SEP2008	HMR CC



- TO BE USED WITH COMMERCIAL MATE-N-LOK™ PINS.
- TO BE USED WITH PLUG 480285.
- RECOMMENDED PANEL THICKNESS "E" IS 1.02-2.54 [1.040-1.100] AND IS DEPENDENT ON "T" AND "R".
- HOUSING MUST BE INSERTED IN A ROCKING MANNER.
- THE PANEL MUST BE PUNCHED SO THAT THE HOUSING ENTERS THE PANEL IN THE SAME DIRECTION AS THE PUNCH.
- PANEL MUST NOT HAVE ANY MATERIAL (PAINT, PORCELAIN, ETC.) APPLIED IN THE MOUNTING HOLE AREA THAT WOULD DECREASE RETENTION OF THE HOUSING IN THE PANEL.



RECOMMENDED CUT OUT

METRIC

0.284 IN ³	1-480286-0
VOLUME	PART NUMBER

<small>THIS DRAWING IS UNPUBLISHED. RELEASED FOR PUBLICATION BY TYCO ELECTRONICS CORPORATION. ALL RIGHTS RESERVED.</small>		DWN: R. WHITAKER Z0DEC2007 CHK: C. CASH Z0DEC2007 APVD: C. CASH Z0DEC2007	Tyco Electronics Harrisburg, PA 17105-3608
DIMENSIONS: mm [INCHES]	TOLERANCES UNLESS OTHERWISE SPECIFIED: 9 PLC ± 1 PLC ±0.13 [1.005] 5 PLC ± 4 PLC ± ANGLES ±40° 30' FINISH -	NAME: CAP, 10 CIRCUIT, MOTOR MOUNT, COMMERCIAL MATE-N-LOK (TM) PRODUCT SPEC: APPLICATION SPEC: WEIGHT: CUSTOMER DRAWING	SIZE: A1100779 CAGE CODE: C=480286 DRAWING NO: 480286 SCALE: 4:1 SHEET: 1 OF 1 REV: HI