

# LC87F1MADG1AGEVK

## LC87F1M16A Evaluation Board User's Manual



ON Semiconductor®

<http://onsemi.com>

### EVAL BOARD USER'S MANUAL

#### Summary

This document describes the specification of this product “LC87F1MADG1AGEVK”, and it uses the following software.

Table 1. SUMMARY

Kind of Software	Name of the Software
Microcontroller	LC87F1M16A Version 0x1000
Application for PC	LC87F1MADG1AGEVK_Application.exe
Driver	LC87F1MADG1AGEVK_driver.inf

#### Content

Evaluation Board (USB–DG1–1Ma1–EVK):	1
USB-mini Cable:	1
Connector (FSS–43085–05 HIROSUGI–KEIKI):	1
CD-ROM*:	1



\* Please use the included CD-ROM for the documentations, driver for this software, application software, and sample application software.

#### About Application

Required OS: Windows XP or later

Profile Needed: .NET Framework4 Client Profile

#### Summary of the Product

This product is for data receiving/transmitting by changing the various input/output formats listed below from PC to device and vice versa.

- I<sup>2</sup>C
- SPI
- PWM
- Digital Input/Output (GPIO)
- ADC

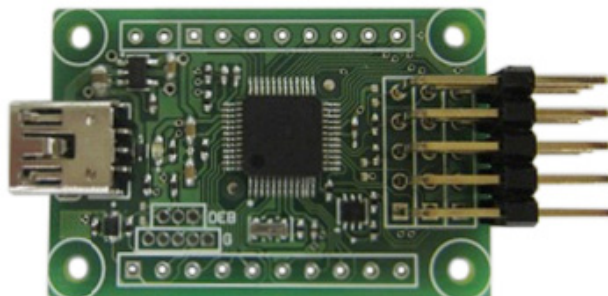


Figure 1. LC87F1M16A

# LC87F1MADG1AGEVK

## COMPOSITION OF THIS PRODUCT

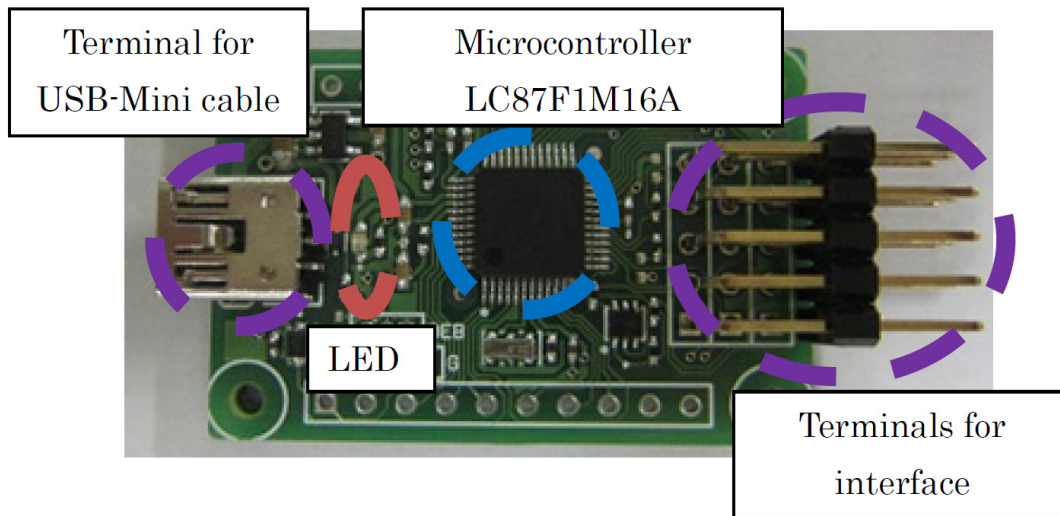
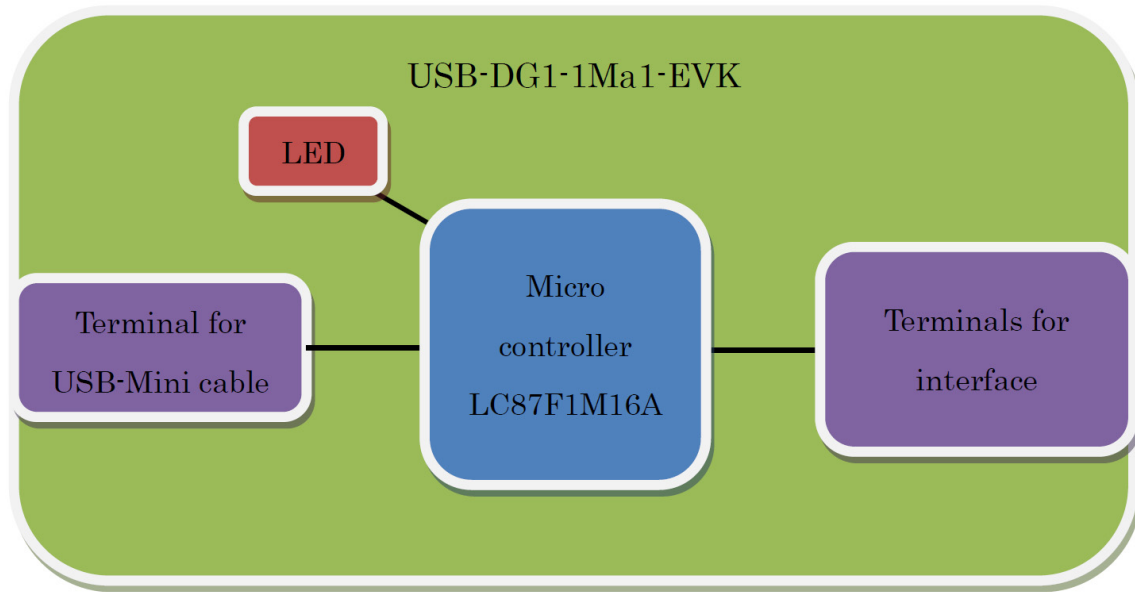


Figure 2. Composition

# LC87F1MADG1AGEVK

## CONNECTION DIAGRAM WHEN USE



\* PC, Device and Interface cable is not included.

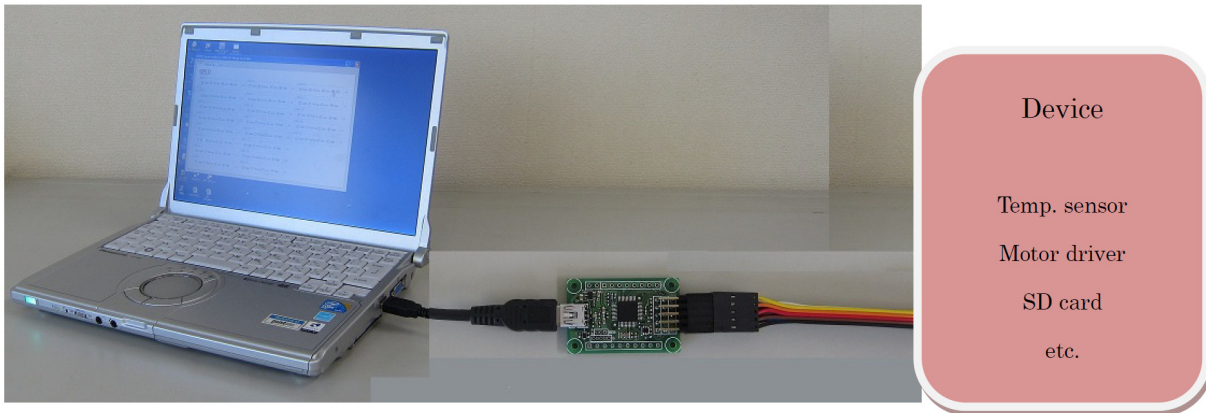
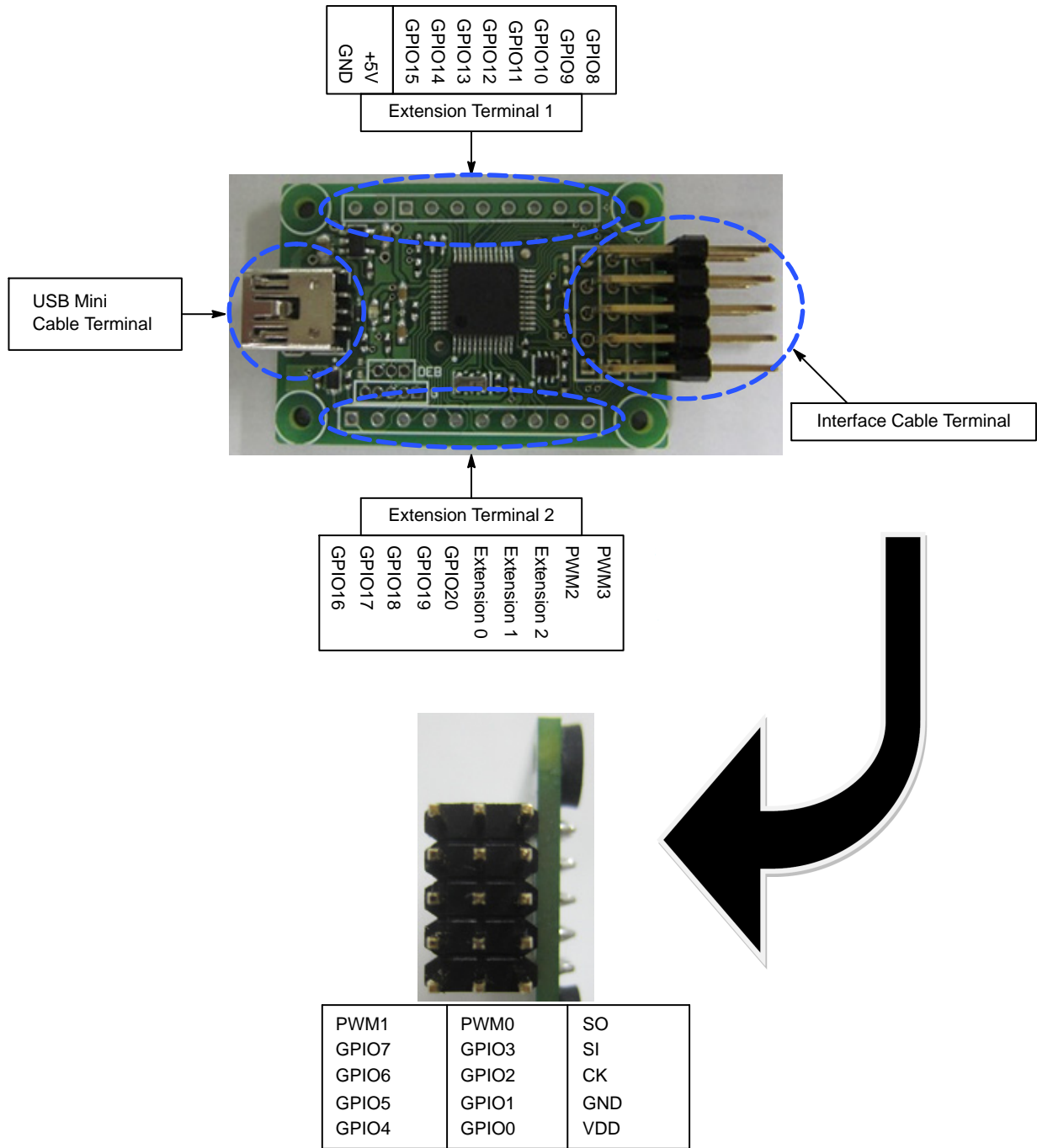


Figure 3. Connection Diagram

# LC87F1MADG1AGEVK

## SUMMARY OF THE PINS ON THE PRODUCT



**Figure 4. Summary of the Pins**

### USB-Mini Cable Terminal

USB2.0 compliant  
Corresponding to Full Speed (12 Mbps)

Please connect the USB-Mini cable terminal to the PC using the included USB-Mini cable.

### LED

Initial state of the LED is OFF.

It will light-up when driver is installed and USB communication is established. After that, it will light-up once every one communication with the data.

# LC87F1MADG1AGEVK

**Table 2. INTERFACE CABLE TERMINAL**

Name of the Pin	I/O Setting	State of the Possible Setting of the Terminal	Input Voltage Range	Max. Output Current
SO	O	SIO	–	Refer to the Micro's Catalogue
SI	I/O	SIO	0 to 3.3 V	Refer to the Micro's Catalogue
CK	I/O	SIO	0 to 3.3 V	Refer to the Micro's Catalogue
GND	–	–	–	–
VDD	–	–	–	100 mA
PWM0	O	PWM	–	Refer to the Micro's Catalogue
PWM1	O	PWM	–	Refer to the Micro's Catalogue
GPIO0	I/O	Open, Internal Pull-Up, Low, High	0 to 3.3 V	Refer to the Micro's Catalogue
GPIO1	I/O	Open, Internal Pull-Up, Low, High	0 to 3.3 V	Refer to the Micro's Catalogue
GPIO2	I/O	Open, Internal Pull-Up, Low, High	0 to 3.3 V	Refer to the Micro's Catalogue
GPIO3	I/O	Open, Internal Pull-Up, Low, High	0 to 3.3 V	Refer to the Micro's Catalogue
GPIO4	I/O	Open, Internal Pull-Up, Low, High	0 to 3.3 V	Refer to the Micro's Catalogue
GPIO5	I/O	Open, Internal Pull-Up, Low, High	0 to 3.3 V	Refer to the Micro's Catalogue
GPIO6	I/O	Open, Internal Pull-Up, Low, High	0 to 3.3 V	Refer to the Micro's Catalogue
GPIO7	I/O	Open, Internal Pull-Up, Low, High	0 to 3.3 V	Refer to the Micro's Catalogue

NOTE: Internal pull-up is connected to 3.3 V through 18 k to 150 kΩ inside of the microcontroller.

**Table 3. EXTENSION TERMINAL 1**

Name of the Pin	I/O Setting	State of the Possible Setting of the Terminal	Input Voltage Range	Max. Output Current
GPIO8	I/O	Open, Internal Pull-Up, Low, High	0 to 3.3 V	Refer to the Micro's Catalogue
GPIO9	I/O	Open, Internal Pull-Up, Low, High	0 to 3.3 V	Refer to the Micro's Catalogue
GPIO10	I/O	Open, Internal Pull-Up, Low, High	0 to 3.3 V	Refer to the Micro's Catalogue
GPIO11	I/O	Open, Internal Pull-Up, Low, High	0 to 3.3 V	Refer to the Micro's Catalogue
GPIO12	I/O	Open, Internal Pull-Up, Low, High	0 to 3.3 V	Refer to the Micro's Catalogue
GPIO13	I/O	Open, Internal Pull-Up, Low, High	0 to 3.3 V	Refer to the Micro's Catalogue
GPIO14	I/O	Open, Internal Pull-Up, Low, High	0 to 3.3 V	Refer to the Micro's Catalogue
GPIO15	I/O	Open, Internal Pull-Up, Low, High	0 to 3.3 V	Refer to the Micro's Catalogue
+5V	–	–	–	100 mA
GND	–	–	–	–

**Table 4. EXTENSION TERMINAL 2**

Name of the Pin	I/O Setting	State of the Possible Setting of the Terminal	Input Voltage Range	Max. Output Current
GPIO16	I/O	Open, Internal Pull-Up, Low, High	0 to 3.3 V	Refer to the Micro's Catalogue
GPIO17	I/O	Open, Internal Pull-Up, Low, High	0 to 3.3 V	Refer to the Micro's Catalogue
GPIO18	I/O	Open, Internal Pull-Up, Low, High	0 to 3.3 V	Refer to the Micro's Catalogue
GPIO19	I/O	Open, Internal Pull-Up, Low, High	0 to 3.3 V	Refer to the Micro's Catalogue
GPIO20	I/O	Open, Internal Pull-Up, Low, High	0 to 3.3 V	Refer to the Micro's Catalogue
PWM2	O	PWM	–	Refer to the Micro's Catalogue
PWM3	O	PWM	–	Refer to the Micro's Catalogue
Extension 0	–	–	–	–
Extension 1	–	–	–	–
Extension 2	–	–	–	–

# LC87F1MADG1AGEVK

## HOW TO USE THIS PRODUCT

Basic steps of the operation

- Connect the PC and this product via USB-Mini cable



Figure 5. Connection via USB-Mini Cable

- After connected, below window appears automatically
- Install the driver in PC (In case of Windows XP 32bit)

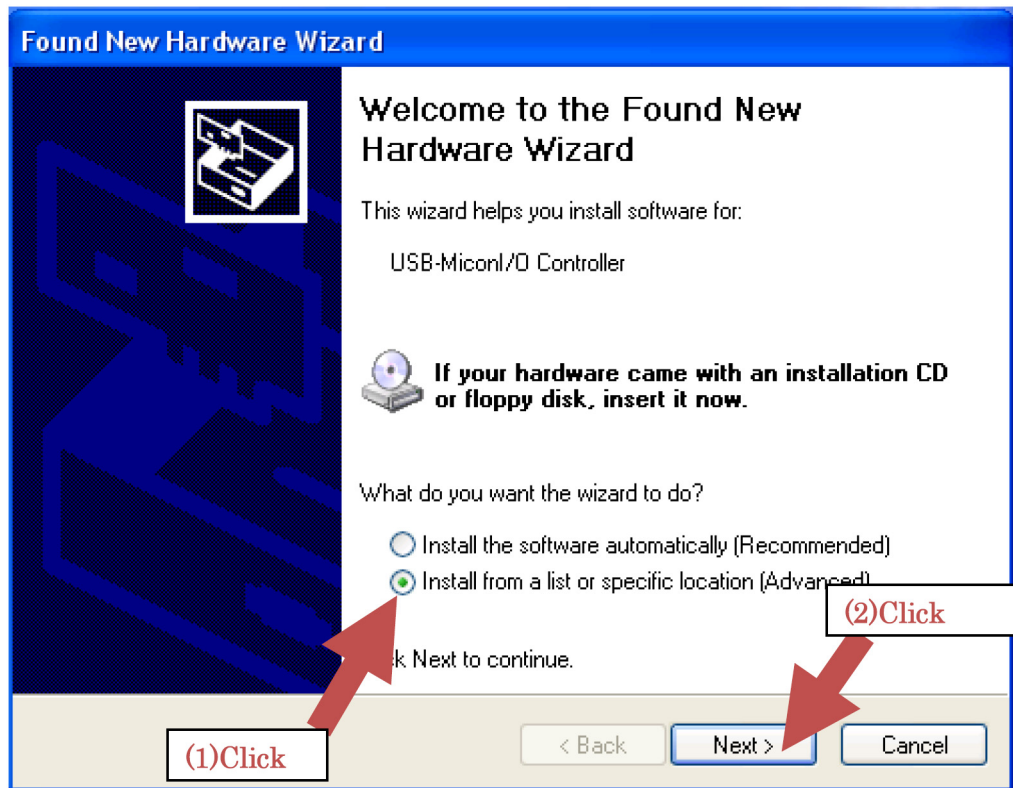


Figure 6. Driver Installation – Step 1

# LC87F1MADG1AGEVK

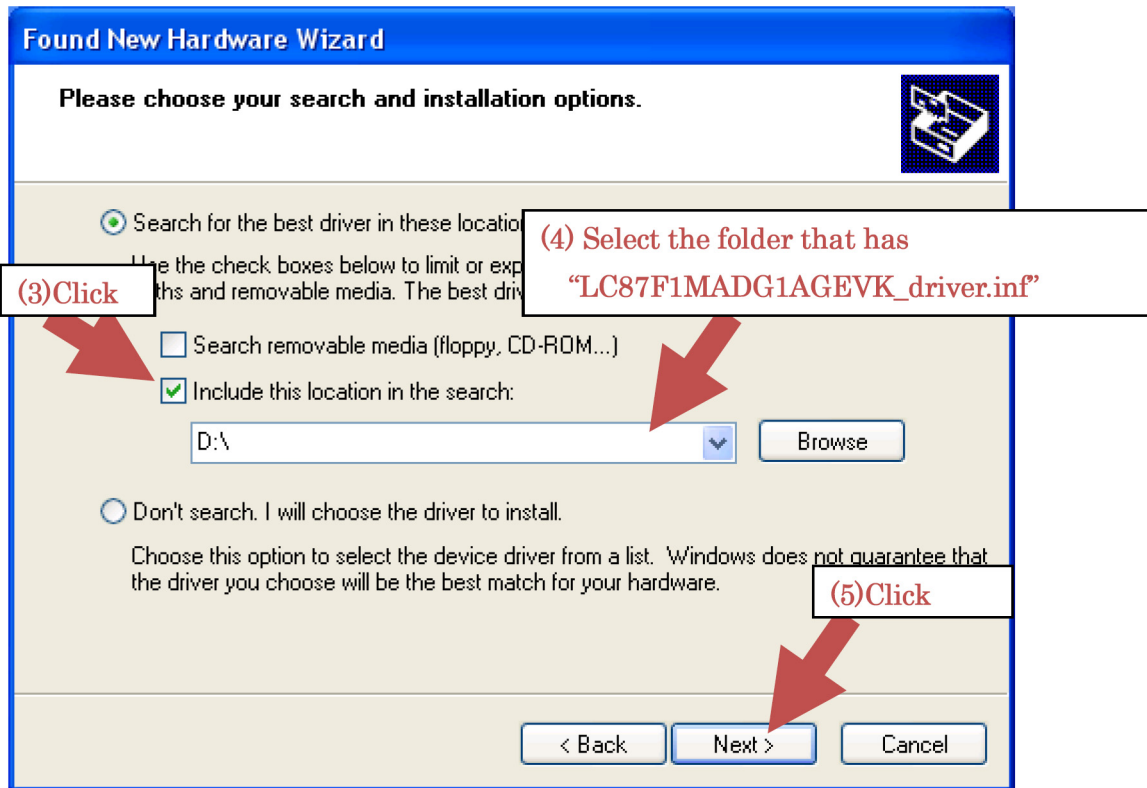


Figure 7. Driver Installation – Step 2



Figure 8. Driver Installation – Step 3



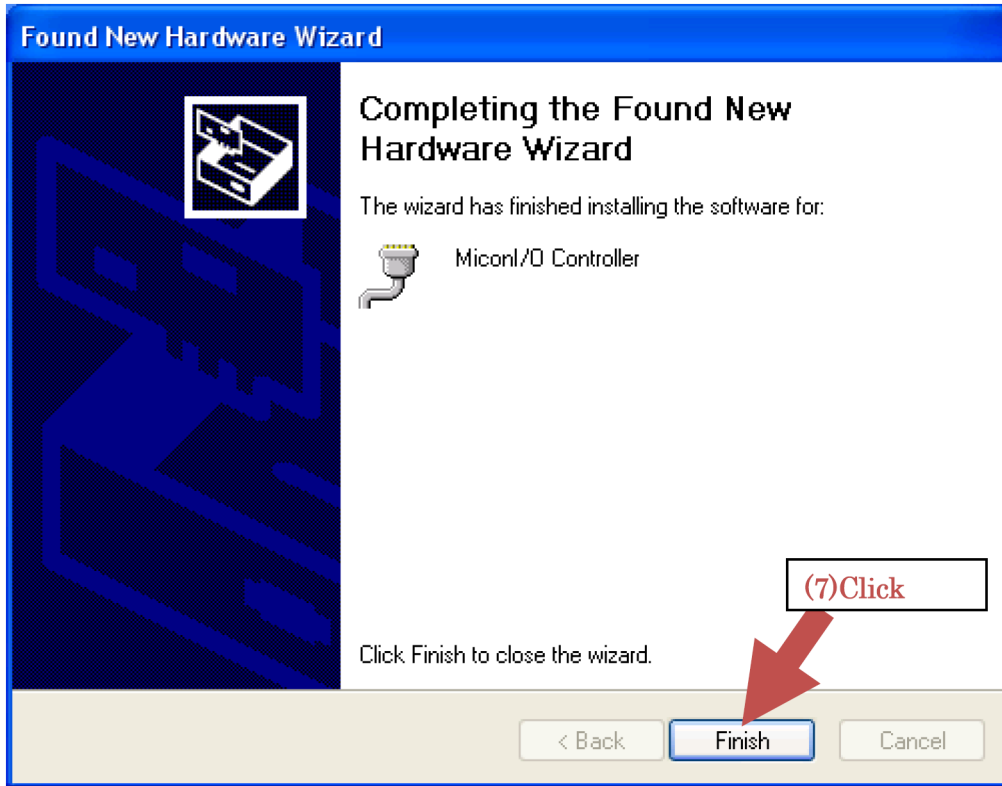


Figure 9. Driver Installation – Step 4

- LED will light-up if the installation is successful
- Connect the device and the interface cable of this product
- Start the application named "LC87F1MADG1AGEVK\_Application.exe"



Figure 10. Device Connection



# LC87F1MADG1AGEVK

## SPECIFICATION OF THE INPUT/OUTPUT TYPES

### I<sup>2</sup>C Communication

#### 1. Summary:

SIO of LC87F1M16A microcontroller is used for this communication...

This communication format is based on "THE I<sup>2</sup>C-BUS SPECIFICATION VERSION 2.1"

#### 2. Pins to Be Used:

SI: used as SDA of I<sup>2</sup>C bus

CK: used as SCL of I<sup>2</sup>C bus

#### 3. Summary of the Communication:

- Only Supports Single Master Mode
- Only Supports Fast-mode (Bit Rate is 400 kbps)
- Number of Receivable Data at One Communication is 0 to 62 Byte (in Case of 10 Bit Address, 61 Byte)
- Number of Transmittable Data at One Communication is 0 to 62 Byte
- Corresponding Address

**Table 5. SUMMARY OF THE COMMUNICATION**

Address Value	Value Next to the Address Value	Summary of the Address Value
0b0000 0000	<b>General Call Processing</b>	
	<b>Value</b>	<b>Summary</b>
	0x06	Reset of the Slave
	0x04	Initialization of the Slave Address
	0x00	Do Not Use
	0bXXXX XXX1	X are Master Address
0b0000 0001	None	Start Byte
0b0000 001X	None	CBUS Address (No comm.)
0b0000 010X	None	No Communication
0b0000 011X	None	No Communication
0b0000 1XXX	None	No Communication
0b1111 1XXX	None	No Communication
0b1111 0XXZ	Lower 8bit of the Slave Address	10bit Slave Address (XX is the Higher 2bit of the Slave Address) Transmission when Z = 0 Reception When Z = 1
Other	Transmission Data if Transmission. Number of Reception Data if Reception.	7bit Slave Address Transmission when Lower1 Bit is 0 Reception when Lower1 Bit is 1

NOTE: X denotes 0 or 1.

# LC87F1MADG1AGEVK

## 4. Application Window:

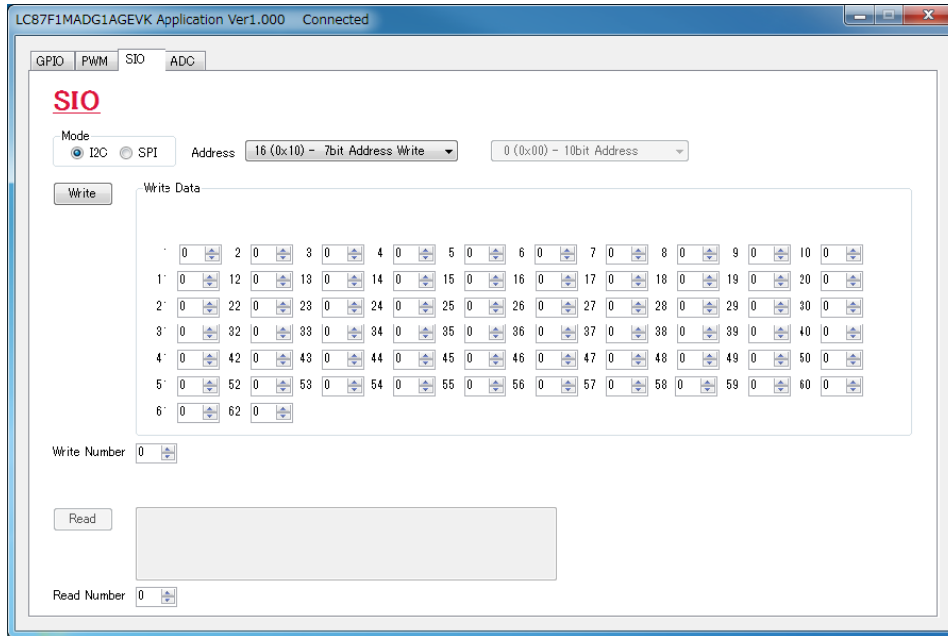


Figure 11. Application Window (I<sup>2</sup>C)

## SPI

### 1. Summary:

SIO of LC87F1M16A microcontroller is used for this communication...  
This communication is based on “SPI Block Guide V4.01”

### 2. Pins to Be Used:

SO: used as MOSI of SPI  
SI: used as MISO of SPI

CK: used as SCK of SPI  
GPIO: used as SS of SPI

### 3. Communication Summary:

- Only Supports Normal Mode
- Bit Rate is 400 kbps

### 4. Application Window:

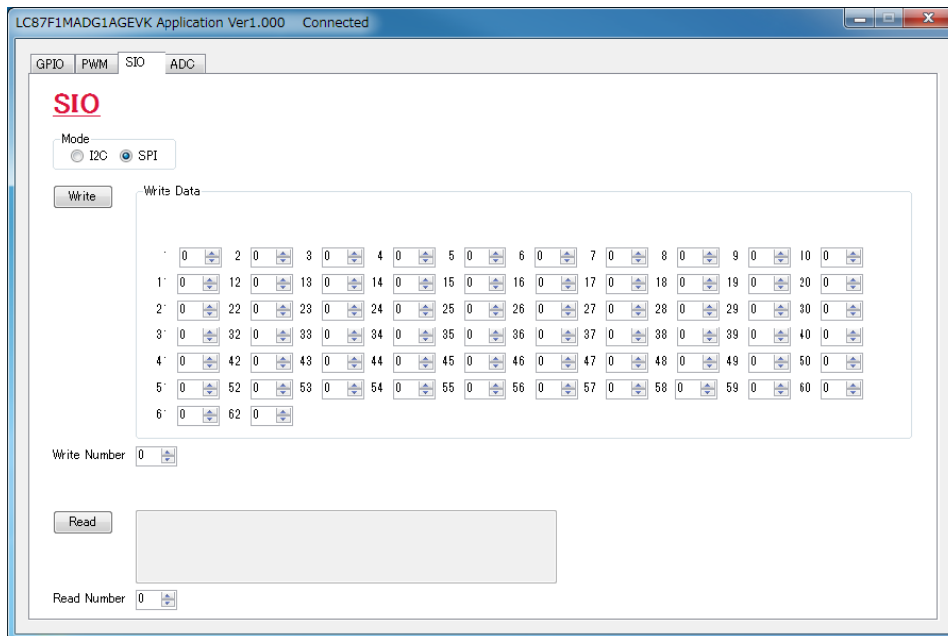


Figure 12. Application Window (SPI)

# LC87F1MADG1AGEVK

## PWM

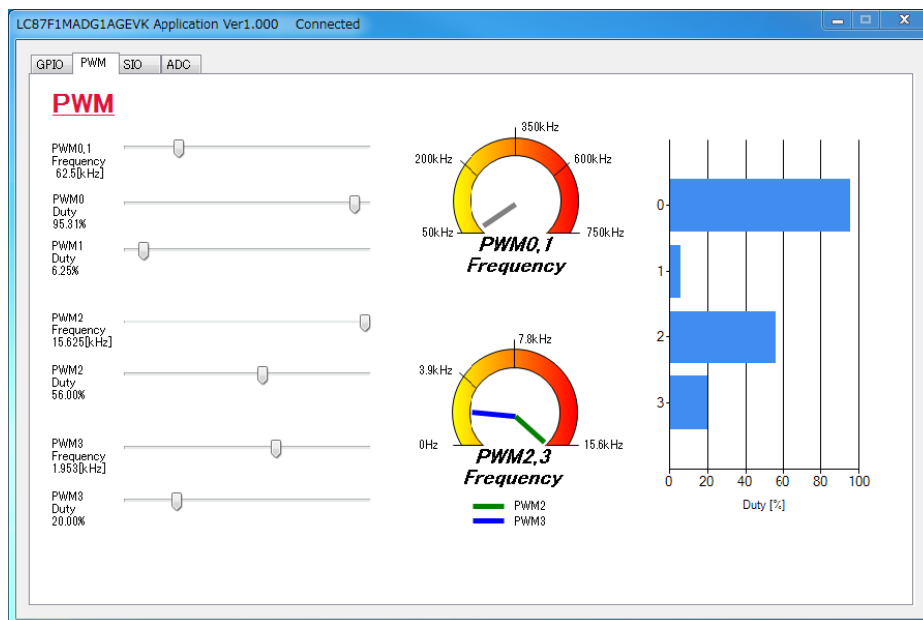
1. *Summary:*  
Synchronous×2ch, asynchronous×2ch, total of 4ch can be output as PWM.  
Using filter, it is capable of small DC voltage step control.
2. *Pins to Be Used:*  
PWM0: Frequency is synchronized with PWM1 (Duty can be set separately)  
PWM1: Frequency is synchronized with PWM0 (Duty can be set separately)  
PWM2: Frequency and duty can be set asynchronously.  
PWM3: Frequency and duty can be set asynchronously.
3. *Output Summary:* PWM0, 1 and PWM2, 3
4. *Application Window:*

**Table 6. PWM0, 1**

Frequency	Duty Changeable Step
750.0 [kHz]	16 steps
375.0 [kHz]	32 steps
250.0 [kHz]	48 steps
187.5 [kHz]	64 steps
150.0 [kHz]	80 steps
125.0 [kHz]	96 steps
107.1 [kHz]	112 steps
93.8 [kHz]	128 steps
83.3 [kHz]	144 steps
75.0 [kHz]	160 steps
68.2 [kHz]	176 steps
62.5 [kHz]	192 steps
57.7 [kHz]	208 steps
53.6 [kHz]	224 steps
50.0 [kHz]	240 steps

**Table 7. PWM2, 3**

Frequency	Duty Changeable Step
15.625 [kHz]	256 steps
7.813 [kHz]	256 steps
3.906 [kHz]	256 steps
1.953 [kHz]	256 steps
0.977 [kHz]	256 steps
0.488 [kHz]	256 steps
0.244 [kHz]	256 steps
0.122 [kHz]	256 steps



**Figure 13. Application Window (PWM)**

# LC87F1MADG1AGEVK

## Digital Input/Output (GPIO)

### 1. Summary:

Capable of selecting 3.3 V or 0 V of input/output

### 2. Pins to Be Used:

GPIO0: Select Low/High when output, and select Open/Pull-up when input.

GPIO1: Select Low/High when output, and select Open/Pull-up when input.

GPIO2: Select Low/High when output, and select Open/Pull-up when input.

GPIO3: Select Low/High when output, and select Open/Pull-up when input.

GPIO4: Select Low/High when output, and select Open/Pull-up when input.

GPIO5: Select Low/High when output, and select Open/Pull-up when input.

GPIO6: Select Low/High when output, and select Open/Pull-up when input.

GPIO7: Select Low/High when output, and select Open/Pull-up when input.

GPIO8: Select Low/High when output, and select Open/Pull-up when input.

GPIO9: Select Low/High when output, and select Open/Pull-up when input.

GPIO10: Select Low/High when output, and select Open/Pull-up when input.

GPIO11: Select Low/High when output, and select

Open/Pull-up when input.

GPIO12: Select Low/High when output, and select Open/Pull-up when input.

GPIO13: Select Low/High when output, and select Open/Pull-up when input.

GPIO14: Select Low/High when output, and select Open/Pull-up when input.

GPIO15: Select Low/High when output, and select Open/Pull-up when input.

GPIO16: Select Low/High when output, and select Open/Pull-up when input.

GPIO17: Select Low/High when output, and select Open/Pull-up when input.

GPIO18: Select Low/High when output, and select Open/Pull-up when input.

GPIO19: Select Low/High when output, and select Open/Pull-up when input.

GPIO20: Select Low/High when output, and select Open/Pull-up when input.

### 3. State of Terminal:

Open input

Input with pull-up

Low output

High output

### 4. Application Window:

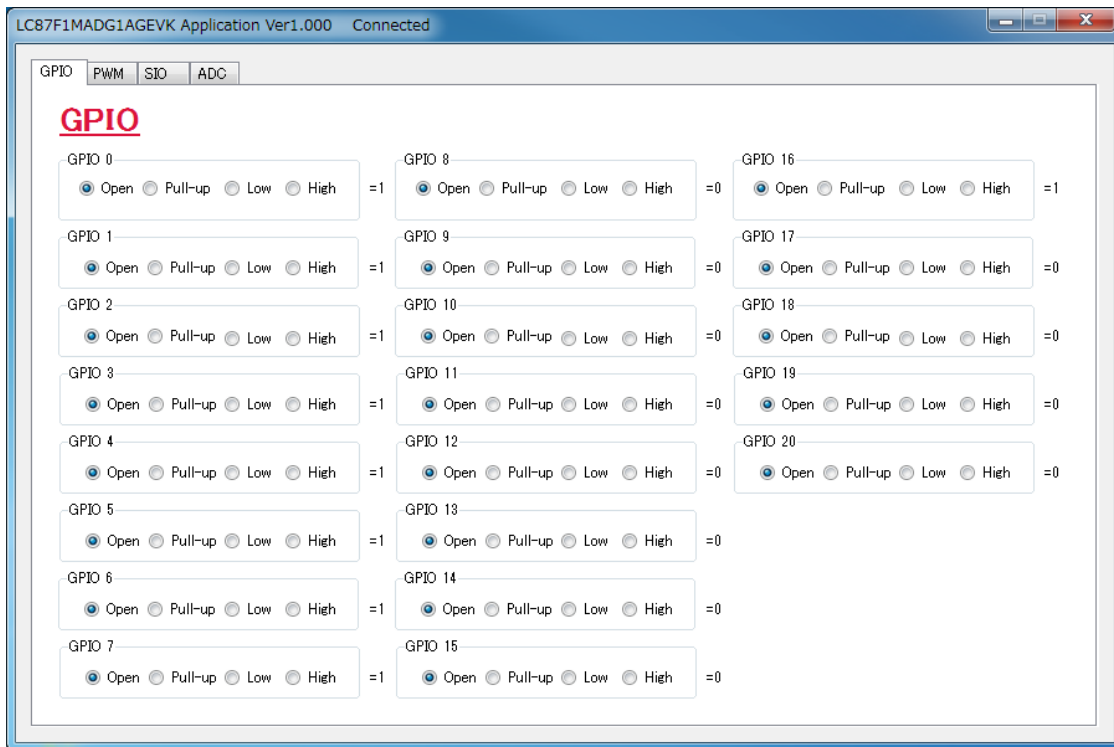


Figure 14. Application Window (GPIO)

# LC87F1MADG1AGEVK

## ADC

### 1. Summary:

Converts the voltage to the value

### 2. Pins to be used:

- GPIO0: ADC port 0
- GPIO1: ADC port 1
- GPIO2: ADC port 2
- GPIO3: ADC port 3
- GPIO4: ADC port 4
- GPIO5: ADC port 5
- GPIO6: ADC port 6
- GPIO7: ADC port 7

Note: Set the GPIO to Open when conversion

### 3. Setting:

- 8bitAD/12bitAD
- Selection of conversion time

8bitAD Conversion Time	12bitAD Conversion Time	Unit
2.8	4.5	μs
5.5	8.8	μs
10.8	17.5	μs
21.5	34.8	μs
42.8	69.5	μs
85.5	138.8	μs
170.8	277.5	μs
341.5	554.8	μs

### 4. Application Setting Window:

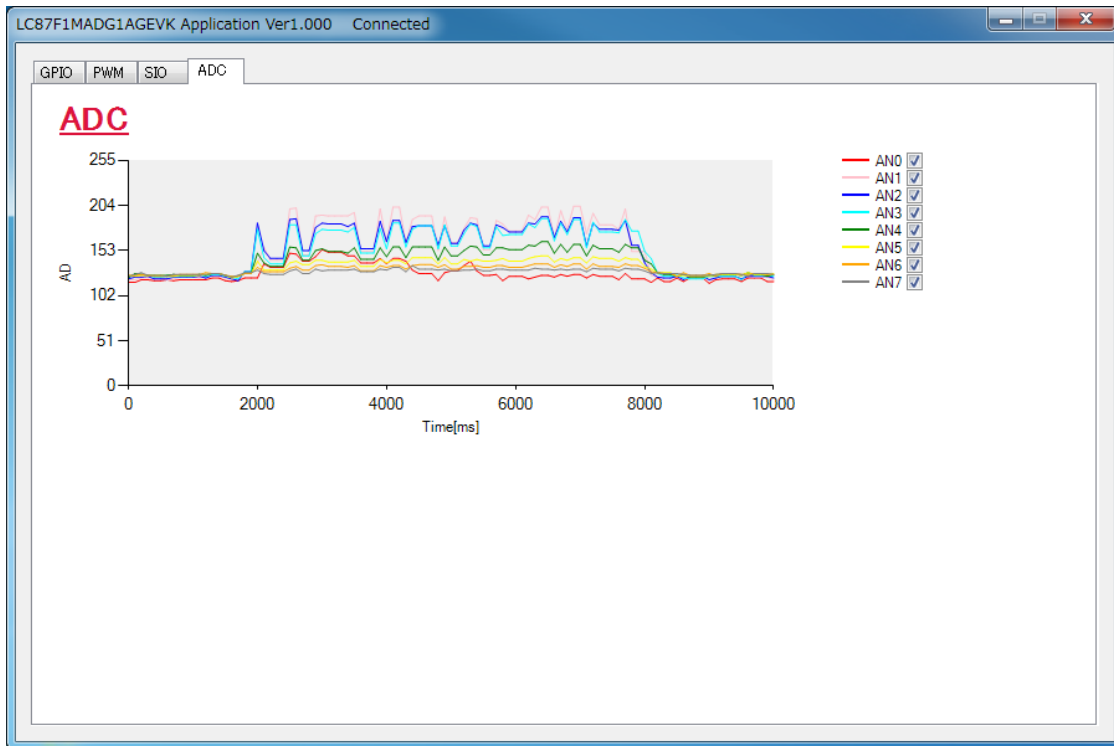
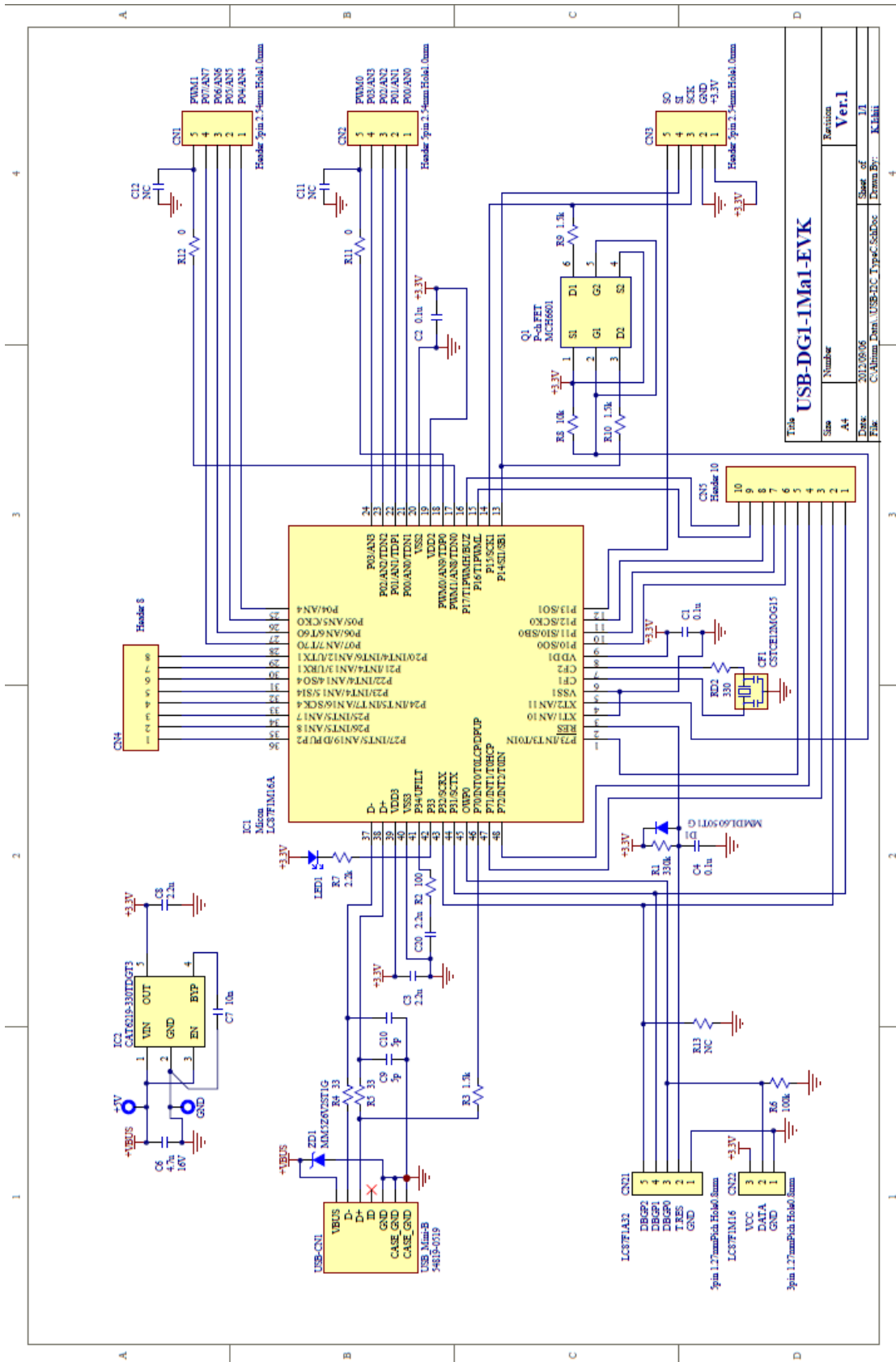


Figure 15. Application Setting Window (ADC)

# LC87F1MADG1AGEVK

## CIRCUIT DIAGRAM



# LC87F1MADG1AGEVK

## PARTS LIST

**Table 8. BILL OF MATERIALS**

Designator	Qty.	Description	Value	Tolerance	Footprint inch (mm)	Manufacturer	Manufacturer Part Number	Substitution Allowed
C1, C2, C3	3	Capacitor SMD	0.1 $\mu$ F, 10 V	$\pm$ 10%	0402 (1005)	Murata	GRM155B11A104KA01#	Yes
C3, C8, C20	3	Capacitor SMD	2.2 $\mu$ F, 10 V	$\pm$ 20%	0603 (1608)	Murata	GRM188B31A225ME33#	Yes
C6	1	Capacitor SMD	4.7 $\mu$ F, 16 V	$\pm$ 10%	0805 (2012)	Murata	GRM21BB31C475KA87L	Yes
C7	1	Capacitor SMD	0.01 $\mu$ F, 10 V	$\pm$ 10%	0402 (1005)	Murata	GRM155R61A103KA01#	Yes
C9, C10	2	Capacitor SMD	5 pF, 50 V	$\pm$ 0.25 pF	0402 (1005)	Murata	GRM1552P1H5R0CZ01#	Yes
C11, C12	2	Open	NC	–	–	–	–	–
CF1	1	Ceramic Resonator	12 Mhz, 33 pF	$\pm$ 0.07%	CE	Murata	CSTCE12M0GH5L	Yes
ZD1	1	Zener Diode	6.2 V, 200 mW		SOD-523	ON Semiconductor	MM526V2ST1G	Yes
D1	1	Diode			SOD-323-2	ON Semiconductor	MMDL6050T1G	Yes
IC1	1	Micro Controller			SQFP48 (7 $\times$ 7)	ON Semiconductor	LC87F1M16AF5ZA0WA-6H	No
IC2	1	LDO Regulator	3.3 V, 500 mA		TSOT23	ON Semiconductor	CAT6219-330TDGT3	Yes
LED1	1	LED SMD	RED		0603 (1608)	STANLEY	UR111C	Yes
Q1	1	Dual Pch-MOS	-30 V, -0.2 A	$\pm$ 5%	0402 (1005)	ON Semiconductor	MCH6601	Yes
R6	1	Resistor SMD	100 k $\Omega$ , 0.063 W	$\pm$ 5%	0402 (1005)	Rohm	MCR01MZPJ104	Yes
R1	1	Resistor SMD	330 k $\Omega$ , 0.063 W	$\pm$ 5%	0402 (1005)	Rohm	MCR01MZPJ334	Yes
R2	1	Resistor SMD	100 $\Omega$ , 0.063 W	$\pm$ 5%	0402 (1005)	Rohm	MCR01MZPJ101	Yes
R4, R5	2	Resistor SMD	33 $\Omega$ , 0.063 W	$\pm$ 5%	0402 (1005)	Rohm	MCR01MZPJ330	Yes
R3, R9, R10	3	Resistor SMD	1.5 k $\Omega$ , 0.063 W	$\pm$ 5%	0402 (1005)	Rohm	MCR01MZPJ152	Yes
R8	1	Resistor SMD	10 k $\Omega$ , 0.063 W	$\pm$ 5%	0402 (1005)	Rohm	MCR01MZPJ103	Yes
R11, R12	2	Resistor SMD	0 $\Omega$ , 0.063 W	$\pm$ 5%	0402 (1005)	Rohm	MCR01MZPJ000	Yes
R13	1	Open	NC	–	–	–	–	–
RD2	1	Resistor SMD	330 $\Omega$ , 0.063 W	$\pm$ 5%	0402 (1005)	Rohm	MCR01MZPJ331	Yes
R7	1	Resistor SMD	2.2 k $\Omega$ , 0.063 W	$\pm$ 5%	0402 (1005)	Rohm	MCR01MZPJ222	Yes
USB_CN1	1	Connector	USB-B Connector (MINI)	–	–	Molex	54819-0519	Yes
CN 1, 2, 3	1	Pin Header	5 $\times$ 3			HIROSUGI	PSR-430256-05	Yes

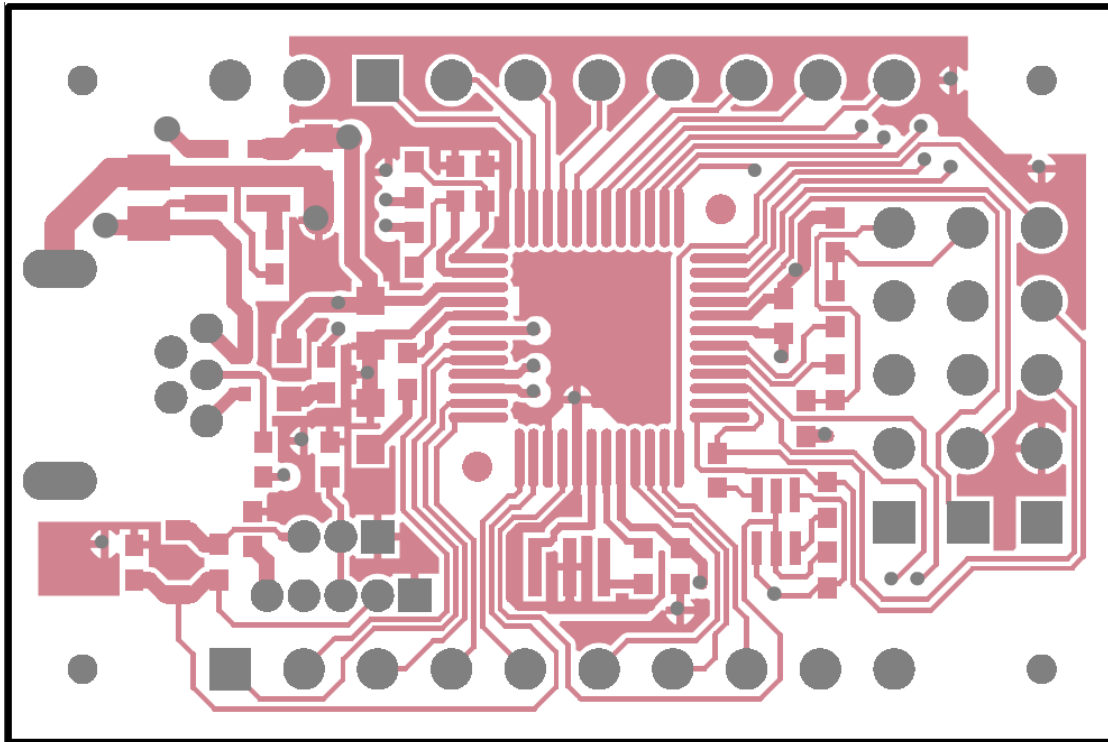
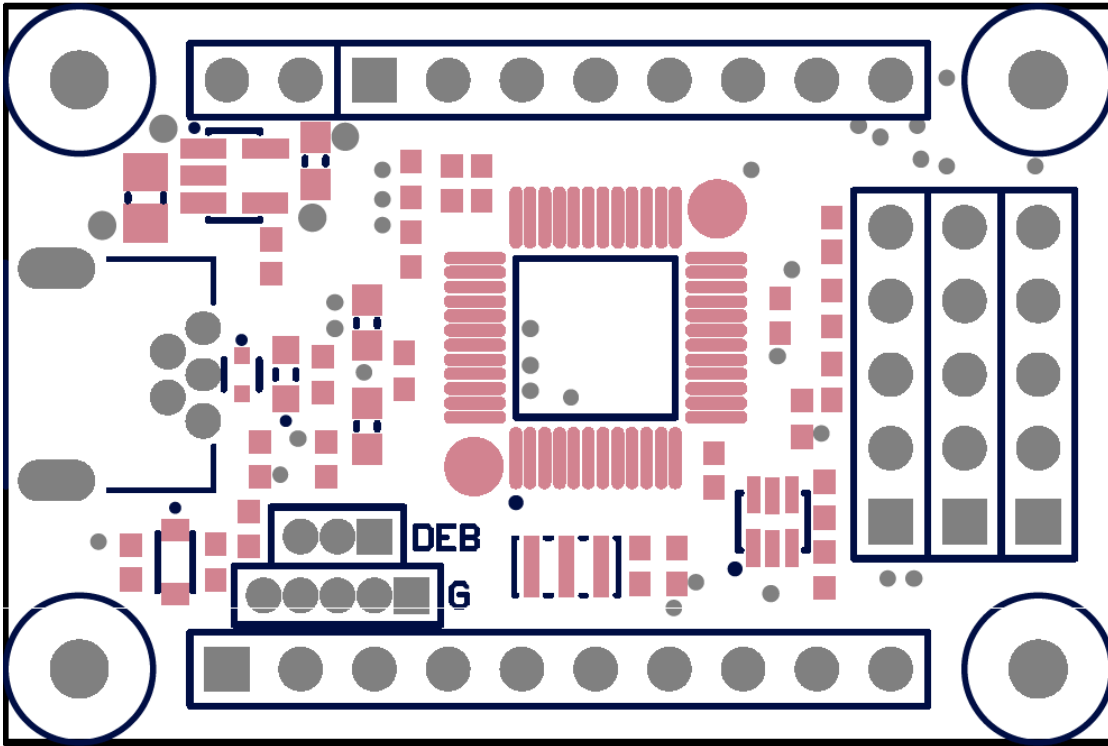
Included Parts	1	Pin Header Socket 5 $\times$ 3	5 $\times$ 3			HIROSUGI	FSS-43085-05	Yes
----------------	---	--------------------------------	--------------	--	--	----------	--------------	-----

NOTE: All devices are Pb-Free.



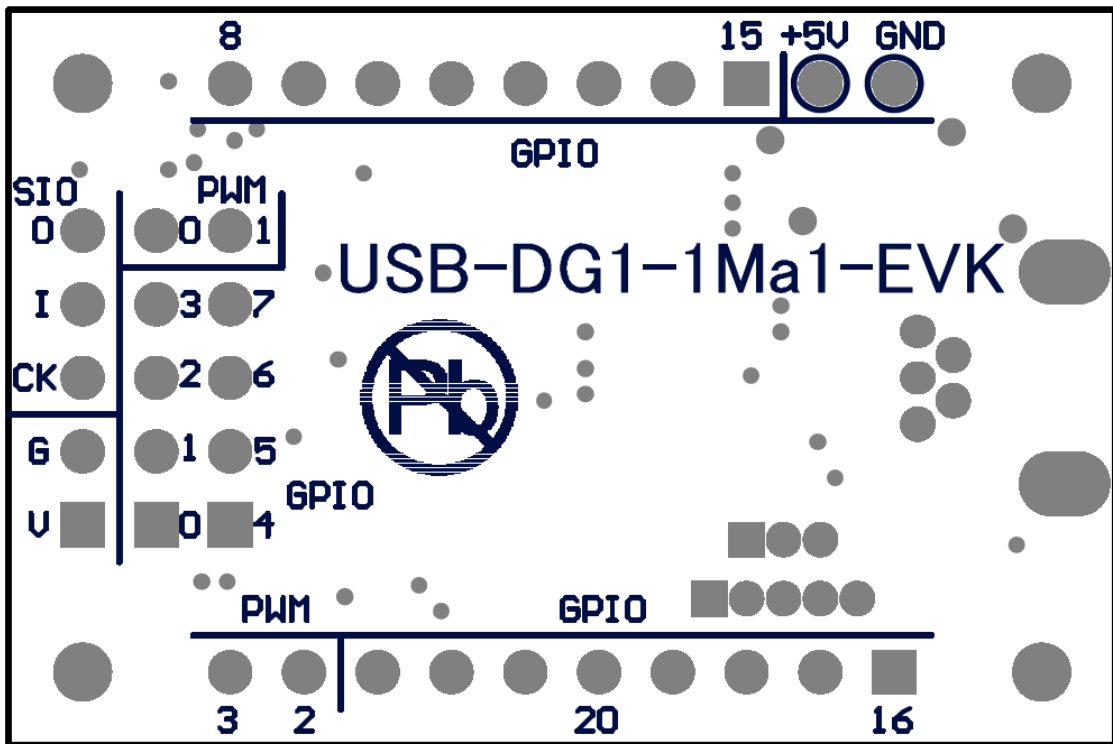
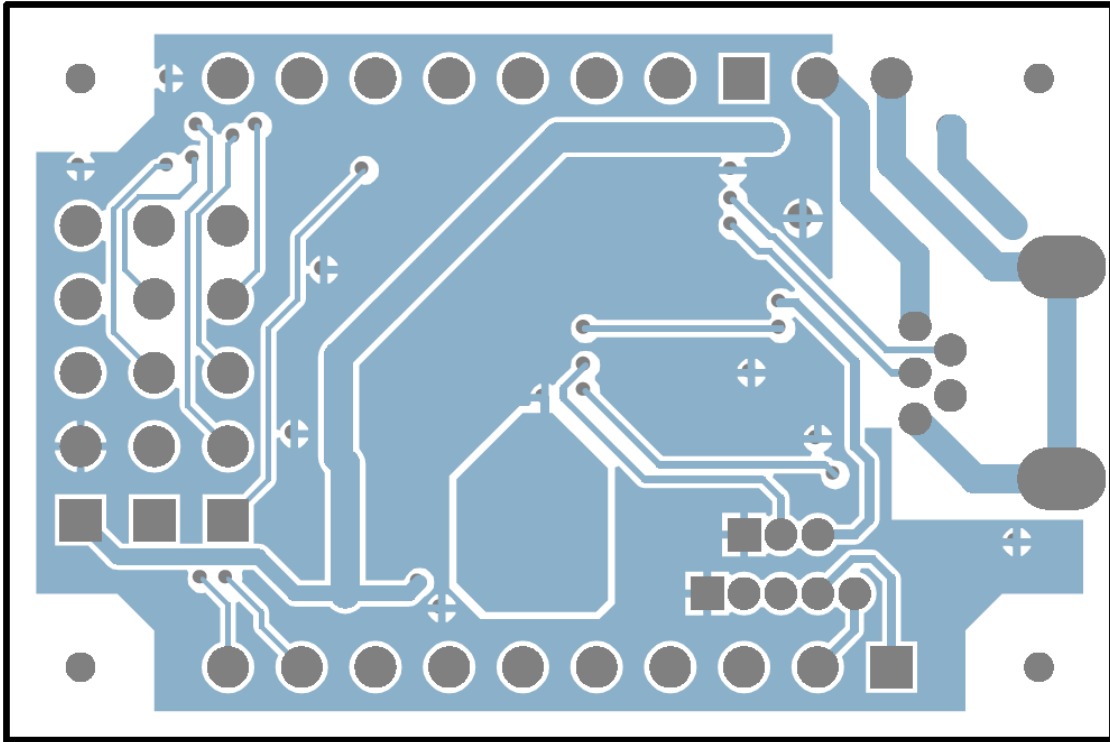
LC87F1MADG1AGEVK

PATTERN DIAGRAM – FRONT



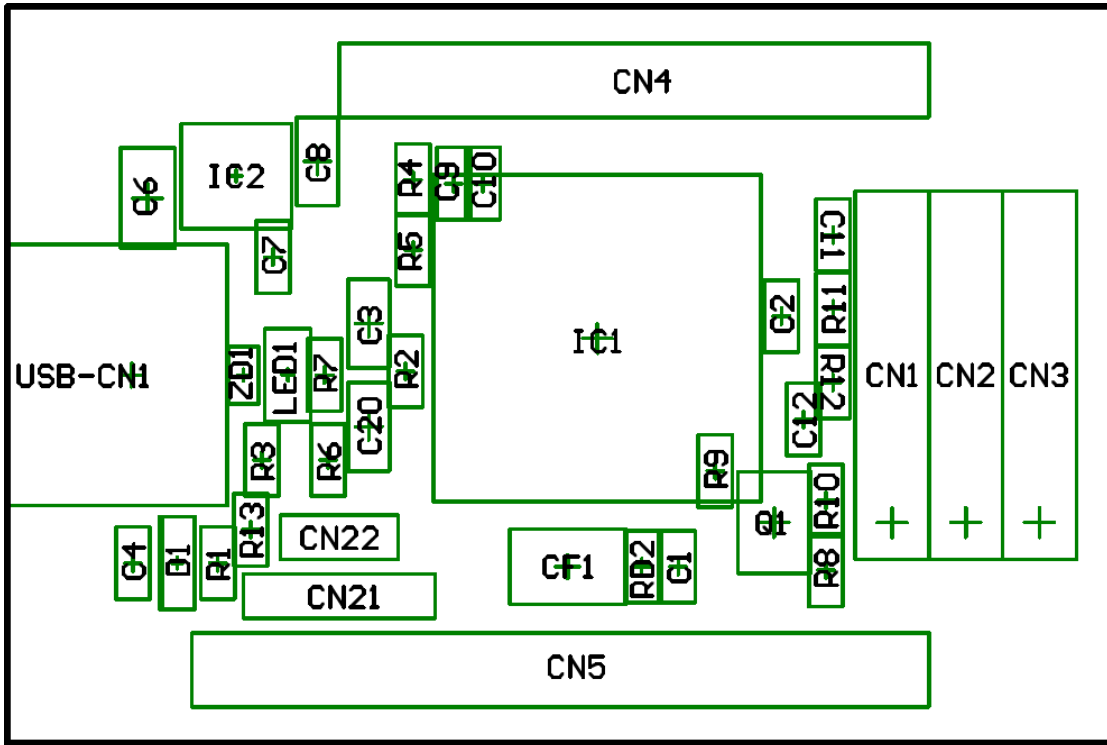
LC87F1MADG1AGEVK

PATTERN DIAGRAM - BACK



# LC87F1MADG1AGEVK

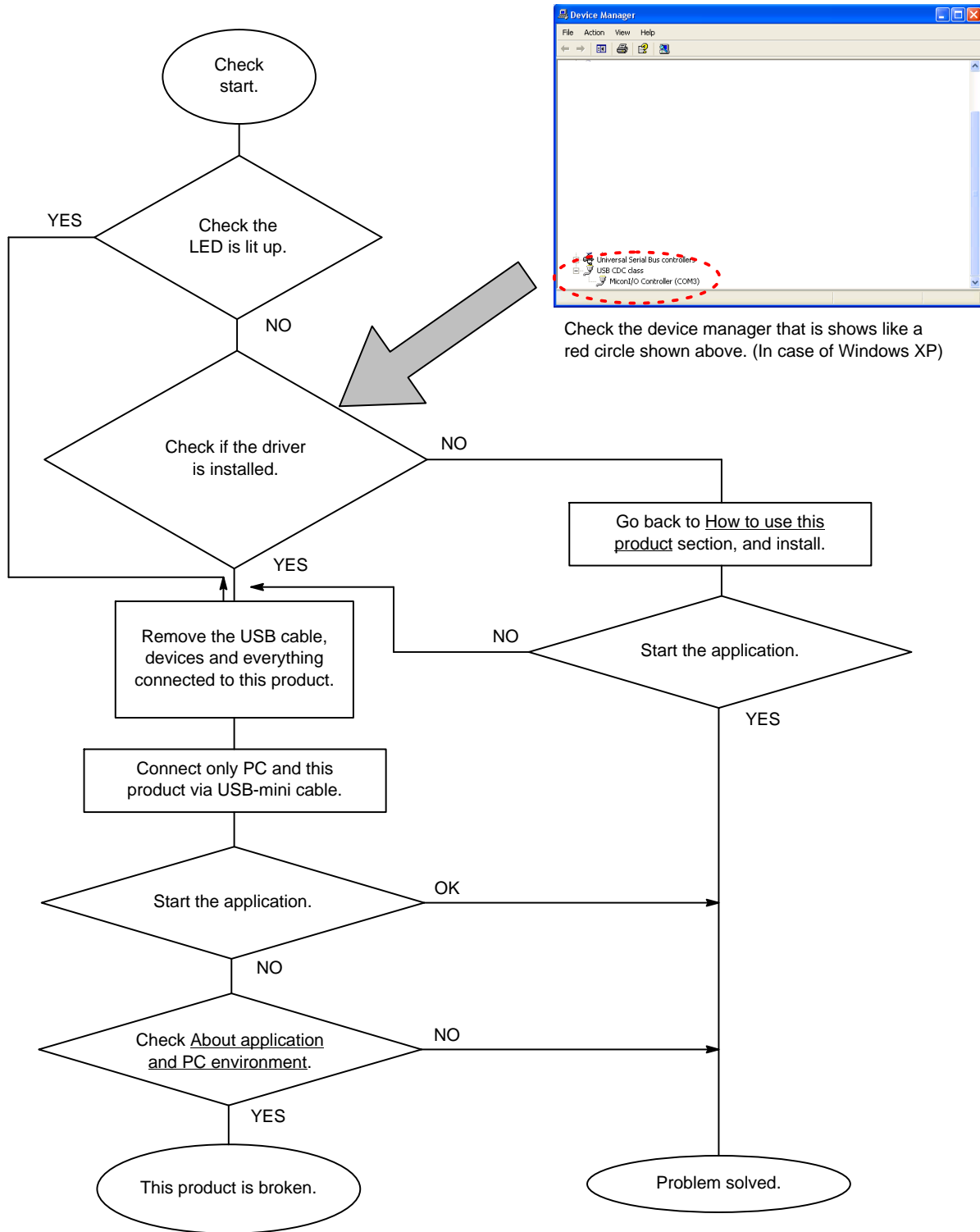
## PATTERN DIAGRAM – LOCATION OF THE PARTS




# LC87F1MADG1AGEVK

## IF YOU THINK IT IS BROKEN

### Application Does Not Start



# LC87F1MADG1AGEVK

**ON Semiconductor** and  are registered trademarks of Semiconductor Components Industries, LLC (SCILLC). SCILLC owns the rights to a number of patents, trademarks, copyrights, trade secrets, and other intellectual property. A listing of SCILLC's product/patent coverage may be accessed at [www.onsemi.com/site/pdf/Patent-Marking.pdf](http://www.onsemi.com/site/pdf/Patent-Marking.pdf). SCILLC reserves the right to make changes without further notice to any products herein. SCILLC makes no warranty, representation or guarantee regarding the suitability of its products for any particular purpose, nor does SCILLC assume any liability arising out of the application or use of any product or circuit, and specifically disclaims any and all liability, including without limitation special, consequential or incidental damages. "Typical" parameters which may be provided in SCILLC data sheets and/or specifications can and do vary in different applications and actual performance may vary over time. All operating parameters, including "Typicals" must be validated for each customer application by customer's technical experts. SCILLC does not convey any license under its patent rights nor the rights of others. SCILLC products are not designed, intended, or authorized for use as components in systems intended for surgical implant into the body, or other applications intended to support or sustain life, or for any other application in which the failure of the SCILLC product could create a situation where personal injury or death may occur. Should Buyer purchase or use SCILLC products for any such unintended or unauthorized application, Buyer shall indemnify and hold SCILLC and its officers, employees, subsidiaries, affiliates, and distributors harmless against all claims, costs, damages, and expenses, and reasonable attorney fees arising out of, directly or indirectly, any claim of personal injury or death associated with such unintended or unauthorized use, even if such claim alleges that SCILLC was negligent regarding the design or manufacture of the part. SCILLC is an Equal Opportunity/Affirmative Action Employer. This literature is subject to all applicable copyright laws and is not for resale in any manner.

## PUBLICATION ORDERING INFORMATION

### LITERATURE FULFILLMENT:

Literature Distribution Center for ON Semiconductor  
P.O. Box 5163, Denver, Colorado 80217 USA  
**Phone:** 303-675-2175 or 800-344-3860 Toll Free USA/Canada  
**Fax:** 303-675-2176 or 800-344-3867 Toll Free USA/Canada  
**Email:** [orderlit@onsemi.com](mailto:orderlit@onsemi.com)

**N. American Technical Support:** 800-282-9855 Toll Free  
USA/Canada  
**Europe, Middle East and Africa Technical Support:**  
Phone: 421 33 790 2910  
**Japan Customer Focus Center**  
Phone: 81-3-5817-1050

**ON Semiconductor Website:** [www.onsemi.com](http://www.onsemi.com)

**Order Literature:** <http://www.onsemi.com/orderlit>

For additional information, please contact your local Sales Representative

**EVBUM2170/D**