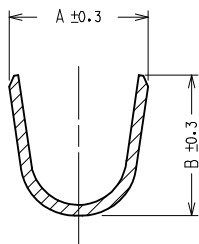
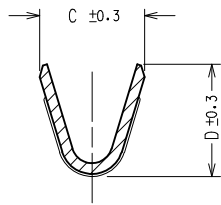


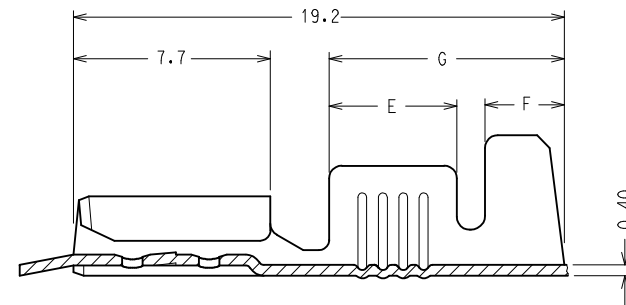
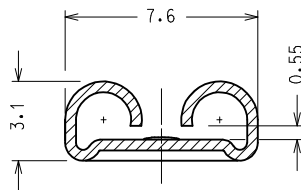
SEZIONE C - C



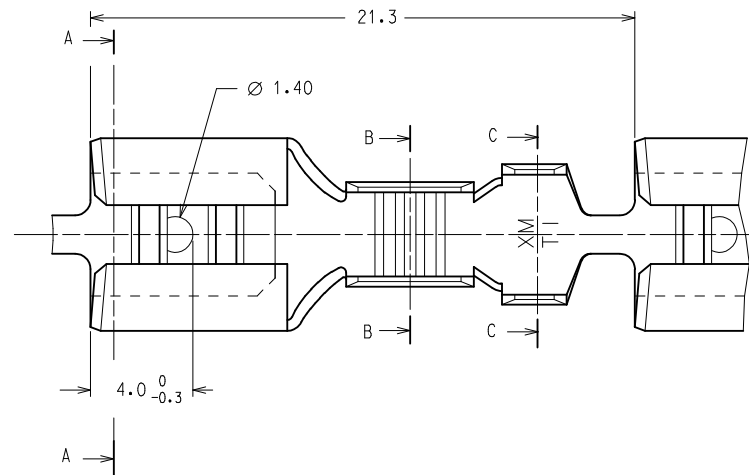
SEZIONE B - B



SEZIONE A - A



| CODICE P/N | FINITURA PLATING | MATERIALE MATERIAL | SEZ. RAME WIRE RANGE (mm ²) | φ ISOLANTE INS. RANGE (mm) | DIMENSIONI / DIMENSION (mm) | | | | | | | | PZ/BOBINA PCS/REEL | S.P.Q. |
|------------|-------------------|--------------------|---|----------------------------|-----------------------------|-----|-----|-----|-----|-----|-----|-------|--------------------|--------|
| | | | | | A | B | C | D | E | F | G | | | |
| 94512-0000 | GREGGIO/ UNPLATED | OTTONE/ BRASS | 0.2 ↔ 0.5 | 1.2 ↔ 2.1 | 3.0 | 2.9 | 2.3 | 2.3 | 3.1 | 1.8 | 6.3 | 7.000 | 21.000 | |
| 94512-0001 | STAGNATO/ TIN | OTTONE/ BRASS | | | | | | | | | | | | |
| 94512-0100 | GREGGIO/ UNPLATED | OTTONE/ BRASS | | | | | | | | | | | | |
| 94512-0101 | STAGNATO/ TIN | OTTONE/ BRASS | | | | | | | | | | | | |
| 94512-0111 | NICHELATO/ NICKEL | ACCIAIO/ STEEL | 0.5 ↔ 1.0 | 2.0 ↔ 3.3 | 4.5 | 4.5 | 3.0 | 3.0 | 4.2 | 2.4 | 8.2 | 7.000 | 21.000 | |
| 94512-0130 | GREGGIO/ UNPLATED | ALPACCA/ PACKFONG | | | | | | | | | | | | |
| 94512-0200 | GREGGIO/ UNPLATED | OTTONE/ BRASS | | | | | | | | | | | | |
| 94512-0201 | STAGNATO/ TIN | OTTONE/ BRASS | | | | | | | | | | | | |
| 94512-0211 | NICHELATO/ NICKEL | ACCIAIO/ STEEL | 1.0 ↔ 2.5 | 2.7 ↔ 4.3 | 5.5 | 5.5 | 4.1 | 4.3 | 5.0 | 3.1 | 9.1 | 6.000 | 18.000 | |
| 94512-0230 | GREGGIO/ UNPLATED | ALPACCA/ PACKFONG | | | | | | | | | | | | |
| 94512-0301 | STAGNATO/ TIN | OTTONE/ BRASS | | | | | | | | | | | | |
| 94512-0311 | NICHELATO/ NICKEL | ACCIAIO/ STEEL | 2.5 ↔ 6.0 | 3.8 ↔ 5.1 | 6.0 | 6.4 | 5.4 | 5.6 | 5.0 | 3.1 | 9.1 | 5.000 | 15.000 | |



Confezione Standard: 3 Bobine x Scatola

Caratteristiche di Prodotto secondo PS 94512-002

Packaging: 3 Reels x Box

Product Characteristics according to PS 94512-002

Std. Descr.: HRT FEM TERM [material] [plating] [wire range]

| | | | | | | | | | |
|--|---|--|------------|---|------------|--|------------------------|------------------------|--|
| Updated note EC NO: Z2015-0006 TD: DRWNL: SANTIÉS 2014/07/18 CHKD: L: SANTIÉS 2014/07/18 APPR: PZANGIROLAMI 2014/07/18 | QUALITY SYMBOLS FA=0 FG=0 FP=0 | GENERAL TOLERANCES (UNLESS SPECIFIED) | | DIMENSION STYLE MM ONLY | | SCALE 0.2 | DESIGN UNITS METRIC | FIRST ANGLE PROJECTION | |
| | | mm | INCH | DRAWN BY | DATE | TITLE | | | |
| | | 4 PLACES ± --- | ± --- | F. GOTTARDO | 1989-12-01 | HIGH RELIABILITY FEMALE TERMINAL 6.3 X 0.8 | | | |
| | | 3 PLACES ± --- | ± --- | CHECKED BY | DATE | molex DOCUMENT NO. SD-94512-004 SHEET NO. 1 OF 1 | | | |
| 2 PLACES ± 0.1 | ± --- | M. PREVIATO | 1989-12-01 | | | | | | |
| 1 PLACE ± 0.2 | ± --- | APPROVED BY | DATE | THIS DRAWING CONTAINS INFORMATION THAT IS PROPRIETARY TO MOLEX INCORPORATED AND SHOULD NOT BE USED WITHOUT WRITTEN PERMISSION | | | | | |
| 0 PLACE ± | ± | R. MARTUCCI | 1989-12-01 | See chart | | | | | |
| ANGULAR ± 2 ° | | DRAFT WHERE APPLICABLE MUST REMAIN WITHIN DIMENSIONS | | MATERIAL NO. | SIZE A3 | | | | |