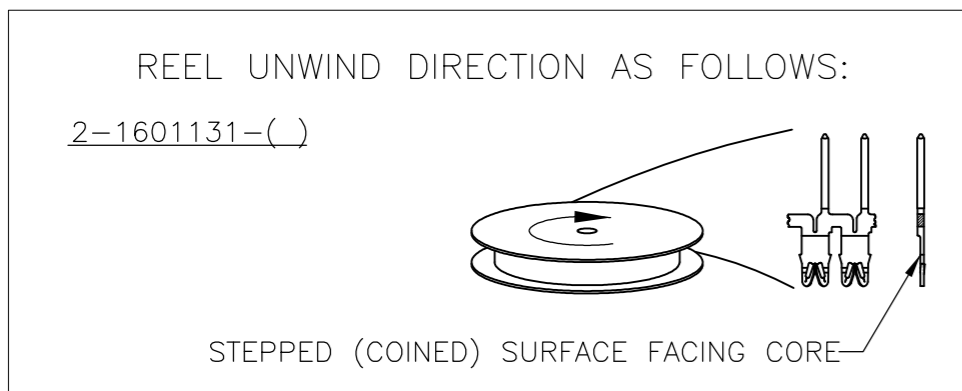
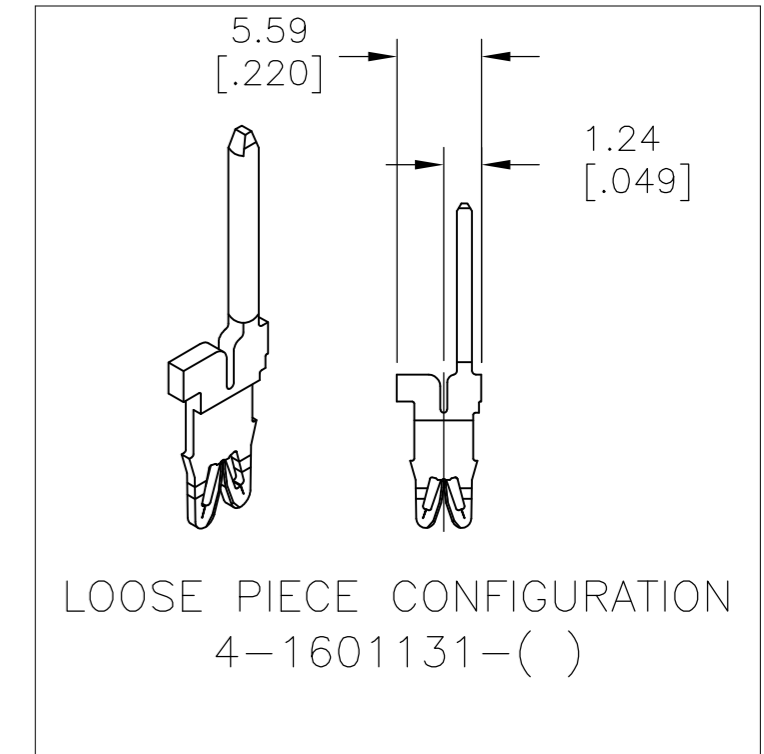
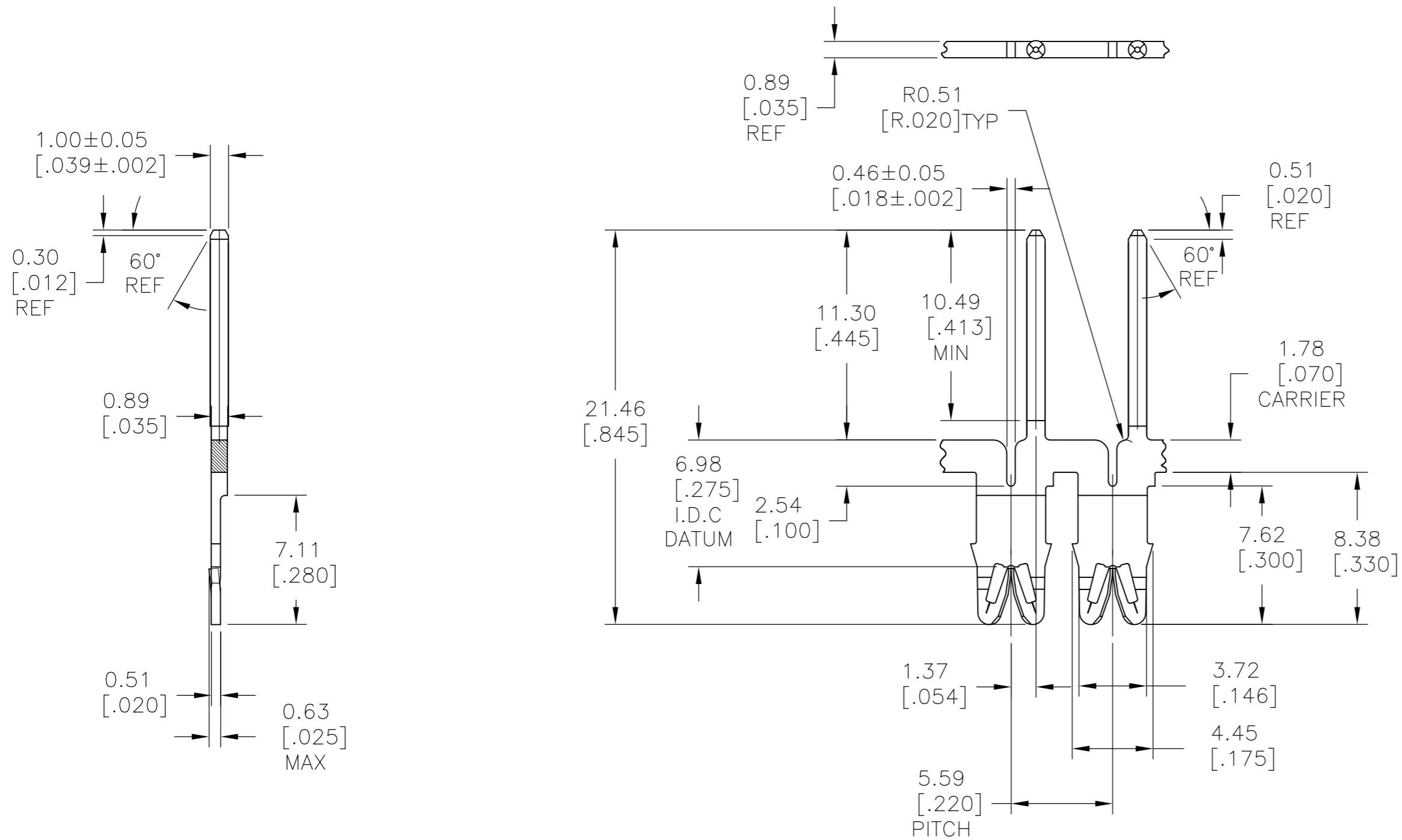


THIS DRAWING IS UNPUBLISHED. RELEASED FOR PUBLICATION
 © COPYRIGHT BY TYCO ELECTRONICS CORPORATION. ALL INTERNATIONAL RIGHTS RESERVED.

LOC		DIST		REVISIONS			
P	LTR	DESCRIPTION		DATE	DWN	APVD	
AF	50	D		REVISED PER ECR-15-012440	17SEP2015	GRZ	JL

SPECIFICATIONS:

- BOTTOM CONTACT:
MAGNET WIRE: #27 - #35 AWG,
0.14[.006] - 0.38[.015] DIA COPPER.
TOP CONTACT:
BARE SOLID COPPER WIRE: 0.56[.022] DIA
- POCKET RECOMMENDATION #1601432
- TERMINAL APPLICATION TO COMPLY WITH TYCO ELECTRONICS SPECIFICATION 114-13166. CONSULT PRODUCT ENGINEERING.
- TWO(2) TERMINALS SHOWN FOR ILLUSTRATION PURPOSES ONLY.



Pre-Tin Plate over Copper Underplate		150-028-014	2-1601131-2
FINISH		REFERENCE PART NUMBER	TE PART NUMBER
THIS DRAWING IS A CONTROLLED DOCUMENT.		Tyco Electronics Corporation Harrisburg, PA 17105-3608	
DIMENSIONS: mm [INCHES] TOLERANCES UNLESS OTHERWISE SPECIFIED: 0 PLC ± - 1 PLC ± - 2 PLC ± .005[0.13] 3 PLC ± - 4 PLC ± - ANGLES ± 2°		NAME: 1.0 MM DIA PIN TO FINE WIRE SIAMEZE TERMINAL PRODUCT SPEC: 108-2244 APPLICATION SPEC: 3	
MATERIAL: BRASS, 3/4 HARD	FINISH: SEE TABLE	WEIGHT: -	RESTRICTED CUSTOMER
SCALE: 1:6		SHEET: 1 OF 1	REV: D