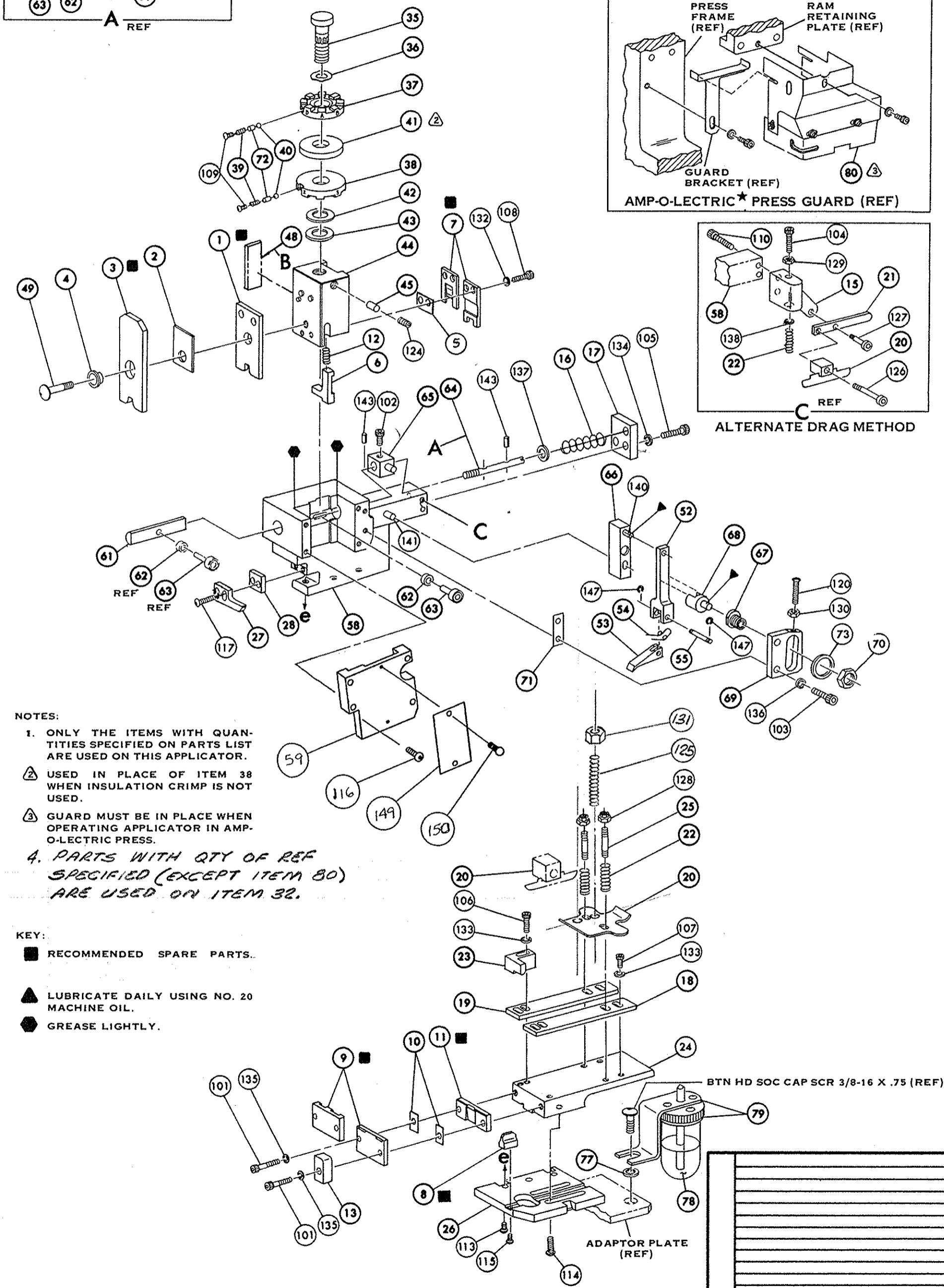
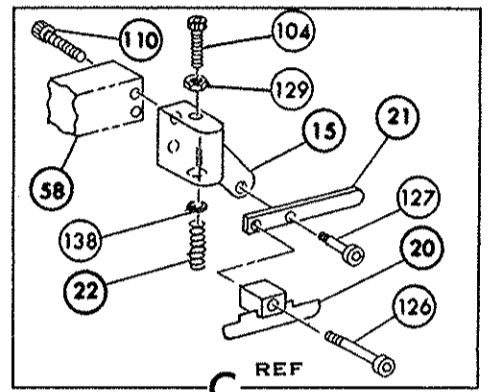
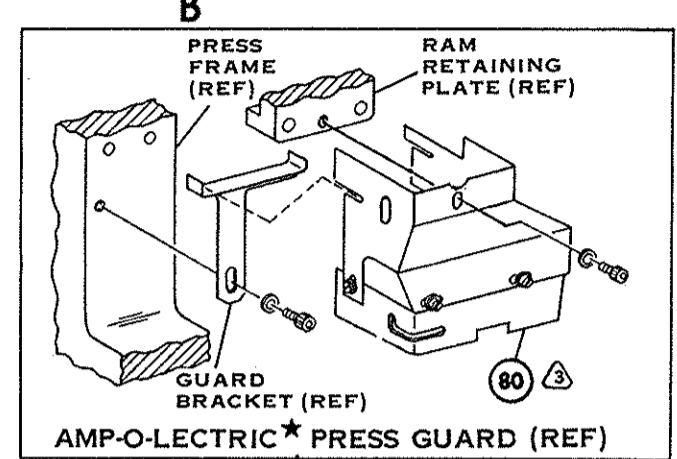
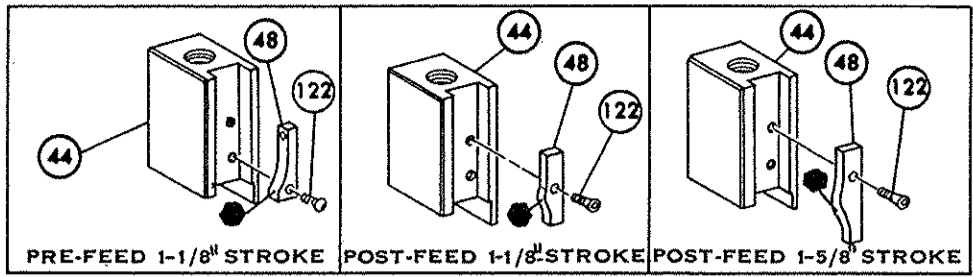
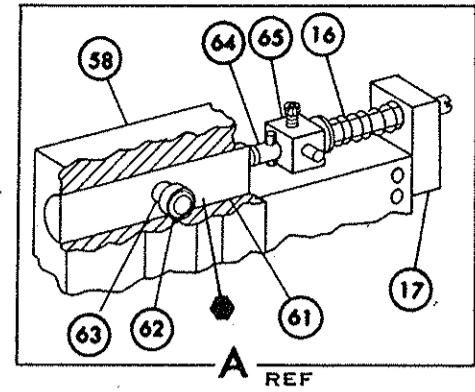


THIS DRAWING IS A CONTROLLED DOCUMENT.



NOTES:
 1. ONLY THE ITEMS WITH QUANTITIES SPECIFIED ON PARTS LIST ARE USED ON THIS APPLICATOR.
 2. USED IN PLACE OF ITEM 38 WHEN INSULATION CRIMP IS NOT USED.
 3. GUARD MUST BE IN PLACE WHEN OPERATING APPLICATOR IN AMP-O-LECTRIC PRESS.
 4. PARTS WITH QTY OF REF SPECIFIED (EXCEPT ITEM 80) ARE USED ON ITEM 32.

KEY:
 ■ RECOMMENDED SPARE PARTS.
 ▲ LUBRICATE DAILY USING NO. 20 MACHINE OIL.
 ● GREASE LIGHTLY.

THIS DRAWING IS UNCLASSIFIED AND RELEASED FOR PUBLICATION JULY, 1998.
 BY AMP INCORPORATED. ALL RIGHTS RESERVED.
 DIMENSIONS IN INCHES DO NOT SCALE PRINT.
 AMP 3076-1

REF	PART NO.	DESCRIPTION	NO.	REQ.	PART NO.	DESCRIPTION	NO.
	162	REF	690517-1			SPACER	71
	161		22594-8			HEX, NUT	70
	160		240628-1			PLATE, ADJ	69
	159		240626-1			SHAFT, PIVOT	68
	158		240633-1			BUSHING	67
	157		455680-1			LEVER, INTERMEDIATE	66
	156		240629-1			BLOCK, PIVOT	65
	155		240632-2			SCREW, ADJ	64
	154		240659-3			PIN, CAM ROLLER	63
	153		240658-1			CAM, ROLLER	62
	152	REF	454398-1			ROD, FEED	61
	151						60
2	21017-2	SCR, DRIVE (#2 x .19) I.D. PLATE					59
1	461264-1	PLATE, I.D.					58
REF	21045-3	RING, RETAINING 'C' (.187 DIA) FEED PIN					57
							56
							55
							54
REF	5- 21028-1	PIN, SLOT SPG (.12 DIA x .50) FEED ADJ ROD					53
REF	1- 21030-7	PIN, DOWEL (.187 DIA x 1.50) HOUSING					52
REF	1- 21030-1	PIN, DOWEL (.187 DIA x .50) LEVER					51
							50
							49
							48
							47
							46
							45
							44
							43
							42
							41
							40
							39
							38
							37
							36
							35
							34
							33
							32
							31
							30
							29
							28
							27
							26
							25
							24
							23
							22
							21
							20
							19
							18
							17
							16
							15
							14
							13
							12
							11
							10
							9
							8
							7
							6
							5
							4
							3
							2
							1
REF	21045-3	RING, RETAINING 'C' (.187 DIA) FEED PIN					57
							56
							55
							54
							53
							52
							51
							50
							49
							48
							47
							46
							45
							44
							43
							42
							41
							40
							39
							38
							37
							36
							35
							34
							33
							32
							31
							30
							29
							28
							27
							26
							25
							24
							23
							22
							21
							20
							19
							18
							17
							16
							15
							14
							13
							12
							11
							10
							9
							8
							7
							6
							5
							4
							3
							2
							1
REF	21045-3	RING, RETAINING 'C' (.187 DIA) FEED PIN					57
							56
							55
							54
							53
							52
							51
							50
							49
							48
							47
							46
							45
							44
							43
							42
							41
							40
							39
							38
							37
							36
							35
							34
							33
							32
							31
							30
							29
							28
							27
							26
							25
							24
							23
							22
							21
							20
							19
							18
							17
							16
							15
							14
							13
							12
							11
							10
							9
							8
							7
							6
							5
							4
							3
							2
							1
REF	21045-3	RING, RETAINING 'C' (.187 DIA) FEED PIN					57
							56
							55
							54
							53
							52
							51
							50
							49
							48
							47
							46
							45
							44
							43
							42
							41
							40
							39
							38
							37
							36
							35
							34
							33
							32
							31
							30
							29
							28
							27
							26
							25
							24
							23
							22
							21
							20
							19
							18
							17
							16
							15
							14
							13
							12
							11
							10
							9
							8
							7
							6
							5
							4
							3
							2
							1
REF	21045-3	RING, RETAINING 'C' (.187 DIA) FEED PIN					57
							56
							55
							54
							53
							52
							51
							50
							49
							48
							47
							46
							45
							44
							43
							42
							41
							40
							39
							38
							37
							36
							35
							34
							33
							32
							31
							30
							29
							28
							27
							26
							25
							24