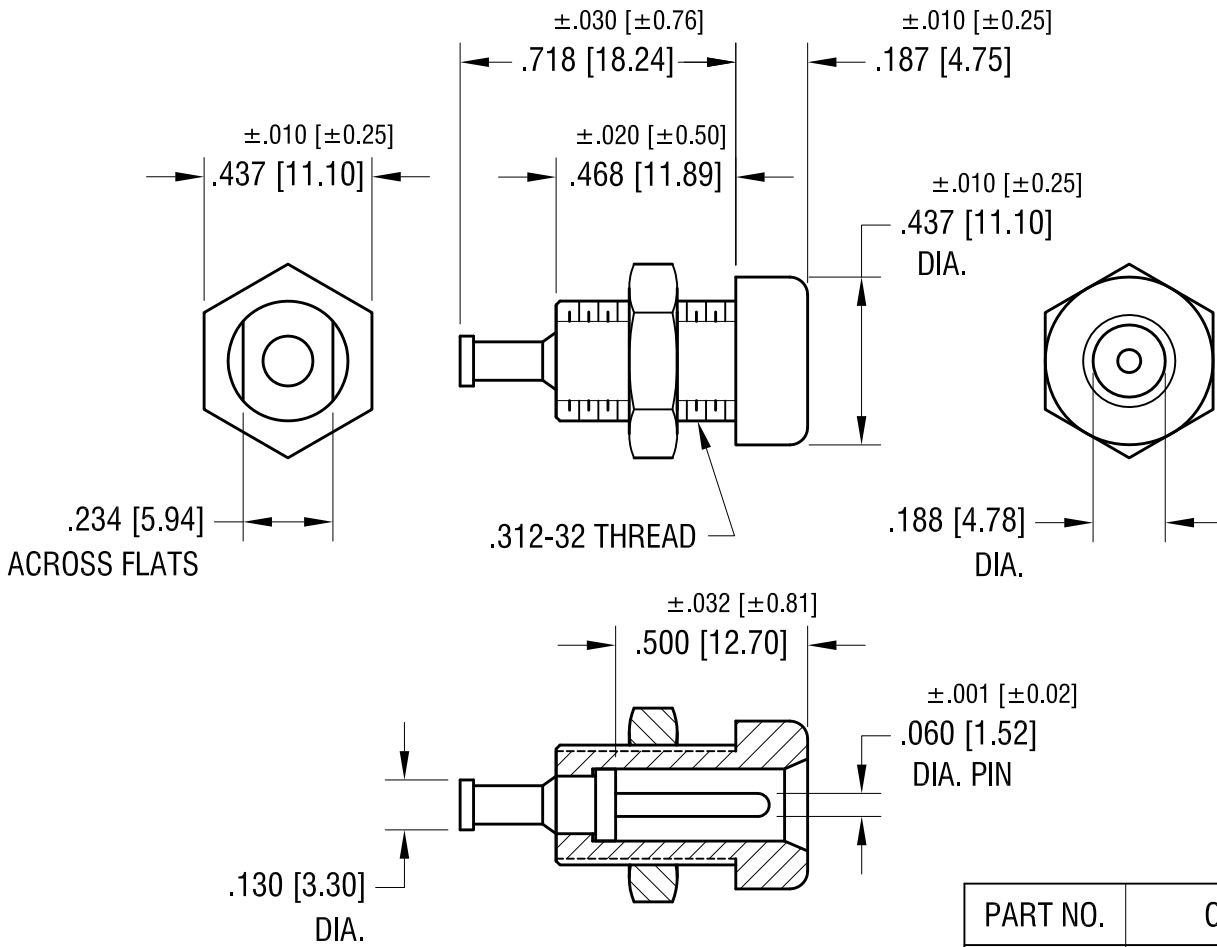


THIS DOCUMENT IS THE PROPERTY OF
KEYSTONE ELECTRONICS CORP. AND
SHALL NOT BE REPRODUCED, DISTRIBUTED
OR USED AS A BASIS FOR MANUFACTURE
WITHOUT PRIOR WRITTEN PERMISSION
FROM KEYSTONE ELECTRONICS CORP.



NOTES:

1. MALE PIN:

MAT'L - BRASS
FINISH - GOLD PLATE

NUT:

MAT'L - BRASS
FINISH - NICKEL PLATE

INSULATOR:

MAT'L - POLYCARBONATE

PART NO.	COLOR
9000	WHITE
9001	RED
9002	BLACK
9003	GREEN
9004	YELLOW
9005	BLUE

6.15.09	CHANGE AS PER ECN 09-069	A
DATE	DESCRIPTION	REV.

KEYSTONE ELECTRONICS CORP.			
www.keyelco.com • ASTORIA, N.Y. 11105-2017 • Tel (718) 956-8900			
PART NAME			
SHROUDED MALE PIN JACK			
MATERIAL			
AS NOTED			
FINISH		DRN BY	DATE
AS NOTED		BOONE	12.19.95
		APP'D	SCALE
		LN	2X
TOLERANCES	INCH [MM]	CODE	DWG NO.
DECIMAL	± .005 [± 0.15]	C	9000-9005
ANGULAR	± 1°		
UNLESS OTHERWISE SPECIFIED			