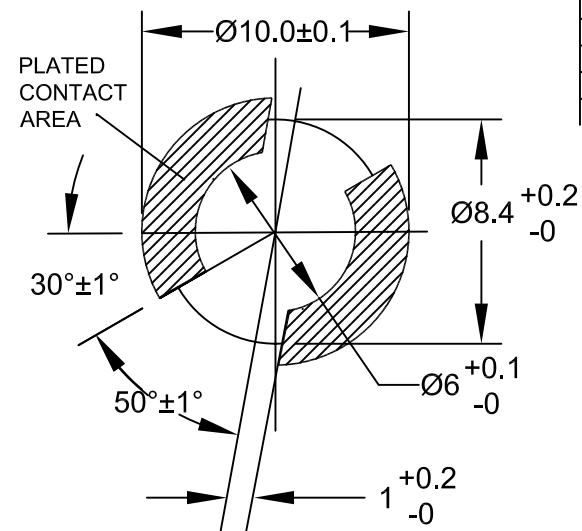
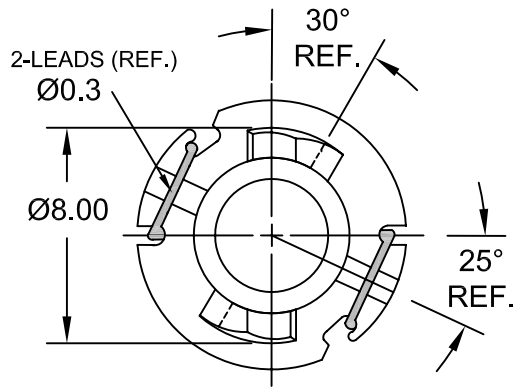
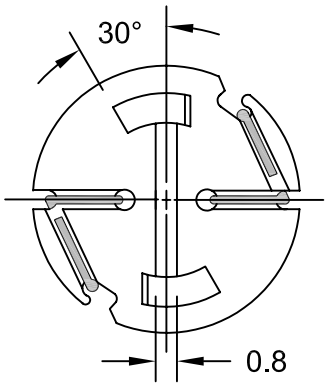
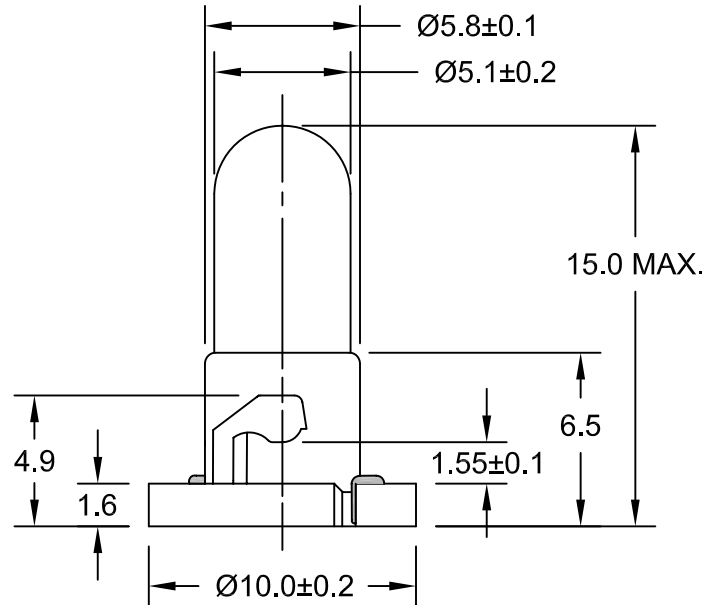


| REV. | DESCRIPTION/ECO NO. | DATE |
|------|-----------------------------------|----------|
| | RELEASED | 11/19/02 |
| A | CHANGE TO LEAD (Pb) FREE ASSEMBLY | 1/18/05 |
| | | |
| | | |
| | | |
| | | |
| | | |



PC BOARD PUNCH PATTERN
 (NO TREATMENT, SUCH AS APPLICATION OF FLUX, SHALL BE DONE.)



JKL PART NO.: DNW1-EW87/GRA***

| JKL LAMP NUMBER | VOLTS RATED | AMPS ±10% | *MSCP ±25% | *LUMENS ±25% | AVERAGE LIFE HRS. | FILAMENT TYPE |
|-----------------|-------------|-----------|------------|--------------|-------------------|---------------|
| EW87** | 14.0 | .140 | .95* | 12.0* | 7,000 D.C. | C-2V |

*LAMP RATED ONLY WITHOUT BASE
 **LAMP GLASS LEAD (Pb) FREE
 ***LAMP AND BASE ASSEMBLY LEAD (Pb) FREE

CONTACT JKL FOR LEAD (Pb) FREE LOT IDENTIFICATION
BASE COLOR: GRAY

| | | | | | | | |
|---|---|-----------------------------------|------------|------------------------|---------------------------|------------|--------------|
| METRIC THIRD ANGLE PROJECTION | DIMENSIONS ARE IN MILLIMETERS TOLERANCE UNLESS OTHERWISE SPECIFIED 1 PL +/- 0.2 2 PL +/- 0.20 ANGLE +/- 0 | JKL COMPONENTS CORPORATION | | | | | |
| | TITLE T-1 1/4 NEO-WEDGE GRAY BASE WITH T-1 1/2 EW87 LAMP | | | | | | |
| DRAWN BY L. WENGSTROM | APPV'D BY J.K. | DATE 1/18/05 | SIZE A | FSCM NO. 55335 | DRAWING NO. DNW1-EW87/GRA | | |
| - CAD DRAWING - MANUAL REVISIONS NOT PERMITTED | | | SCALE NONE | RELEASED DATE 11/19/02 | REVISION DATE 1/18/05 | REV. NO. A | SHEET 1 OF 1 |