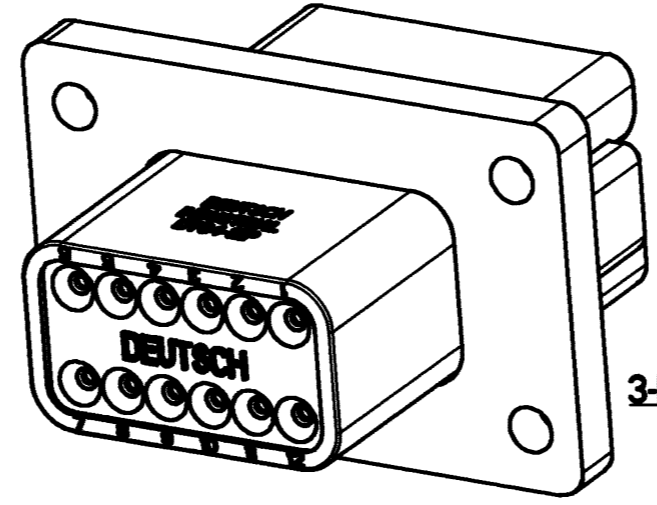
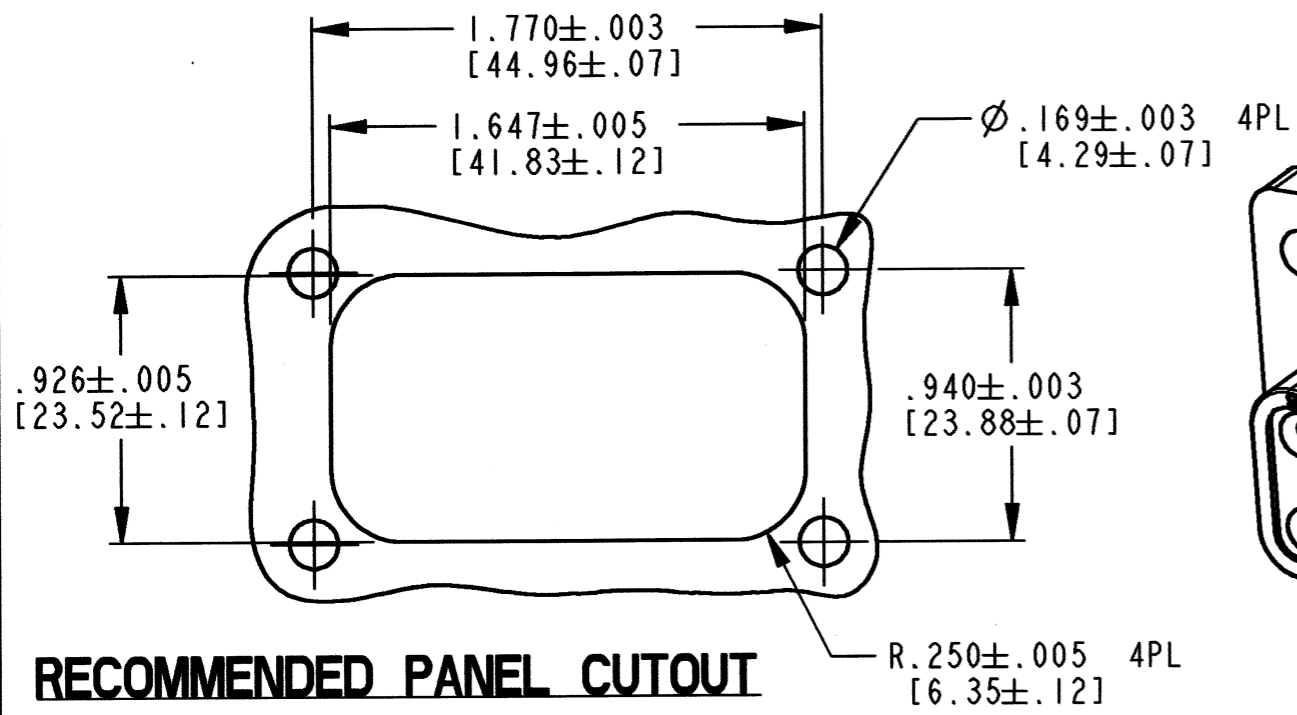


REV
A DT04-12PA-BL08

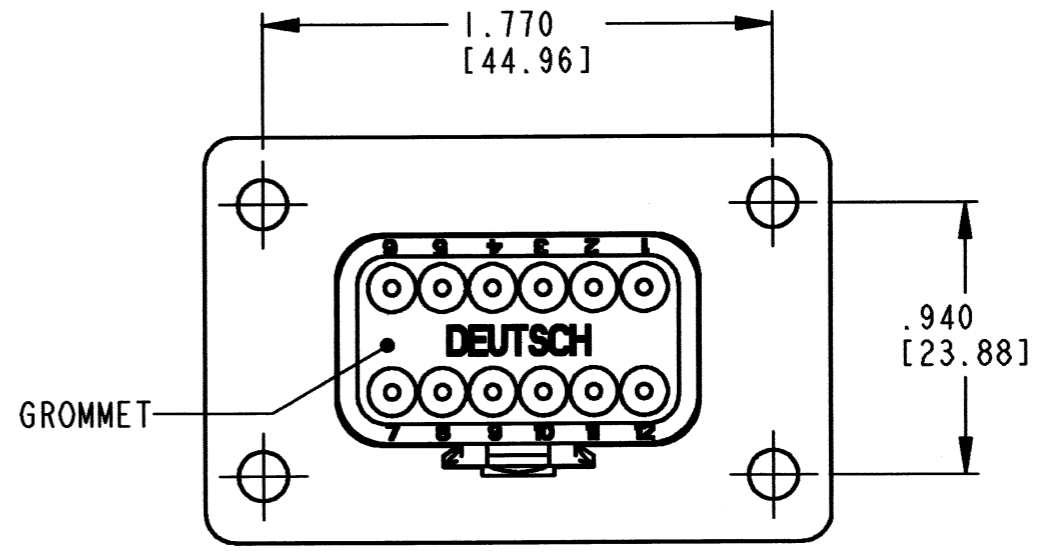
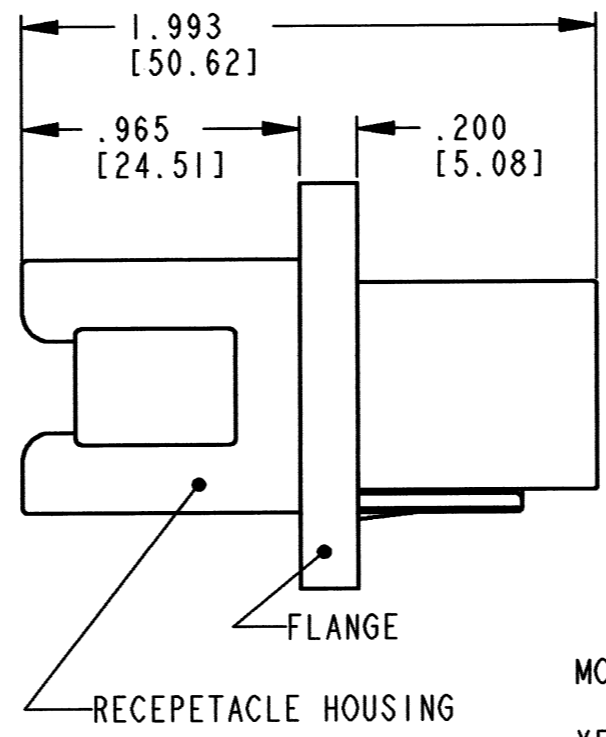
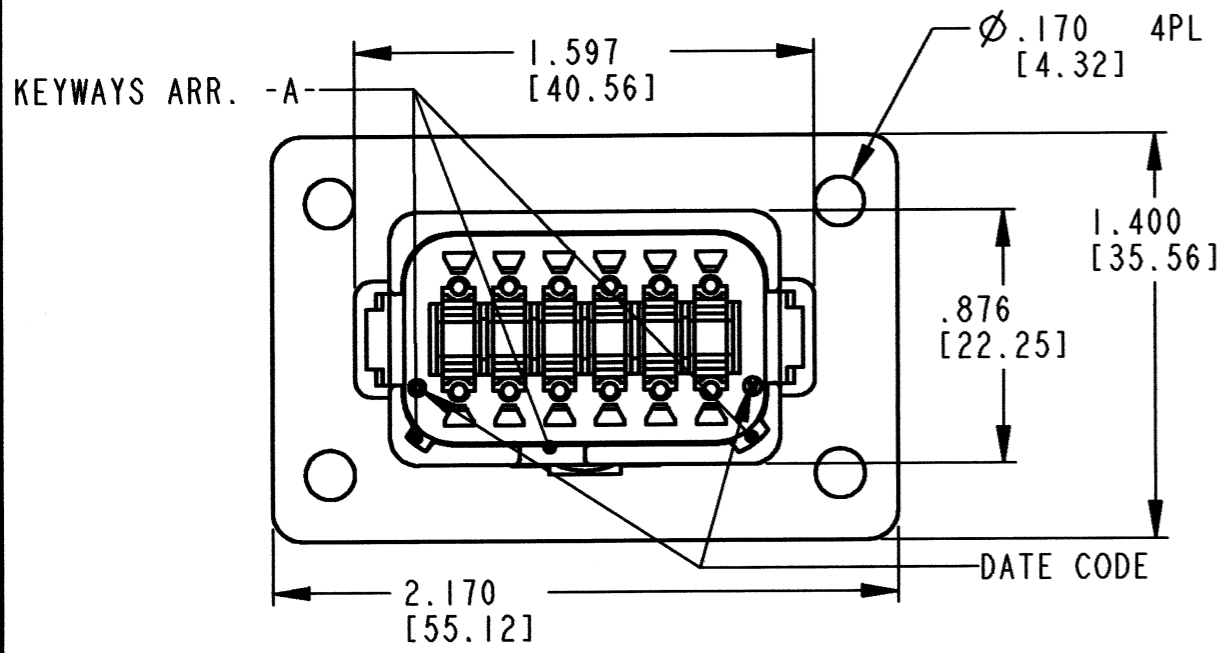
REVISIONS			
SYM	DESCRIPTION	DATE	APPROVED
NC	NEW RELEASE PER E.O. P18336	10/10/03	R.D.R.
A	REVISED PER E.O. P20438	5-18-10	RDR



3-DIMENSIONAL VIEW

CONTACT SIZE	MIN. INSUL. O.D.	MAX. INSUL. O.D.	WIRE RANGE [mm ²]
16	.088 [2.23]	.145 [3.68]	14-20 AWG [2.0-0.5]

RECOMMENDED PANEL CUTOUT



-DATE CODE-
MONTH IS REPRESENTED BY SEQUENTIAL ALPHA CHARACTERS.
EX: A=JANUARY
YEAR IS REPRESENTED BY LAST DIGIT. EX. 0=2000.

5. MATERIAL: SHELL: PLASTIC; GROMMET: RUBBER
4. THIS RECEPTACLE MATES WITH DT06-12SA-****. (****=ALL MODIFICATIONS.) CONSULT FACTORY FOR MODIFICATIONS.
3. FOR CONTACTS AND WIRE PERFORMANCE AND APPLICATION CHARACTERISTICS SEE ENVELOPE DRAWING 0425-015-0000 AND 0425-017-0000.
2. DIMENSIONS ARE ±.025[0.63] UNLESS OTHERWISE SPECIFIED.
- NOTES: 1. DIMENSIONS ARE IN INCHES [MILLIMETERS].

SIGNATURE & DATE	
DR	T. YOHANNES 29SEP03
CHK	R.M. 5/14/10
PE	H. M... 2/22/10
APPD	S. ... 5.4.10
SCALE	NONE WT

12 WAY RECEPTACLE WITH ENHANCED KEY AND FLANGE -BL08 MOD. KEY ARR. -A- COLOR: BLACK DT SERIES

ENVELOPE

EP	MATL. CODE
3850 INDUSTRIAL AVE. HEMET, CA 92545	
B	DT04-12PA-BL08
DWG SIZE	CODE 11139 SHEET OF