

MATERIALS AND FINISHES

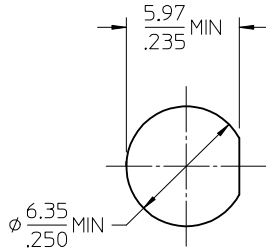
BODY, JAM NUT, LOCKWASHER: SEE TABLE

CENTER CONTACT: BERYLLIUM COPPER  
PLATED GOLD

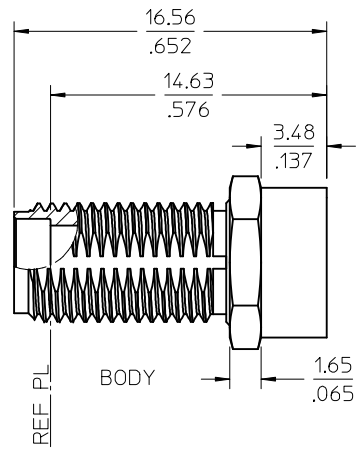
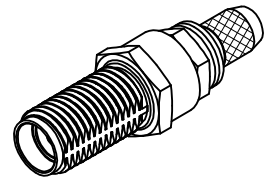
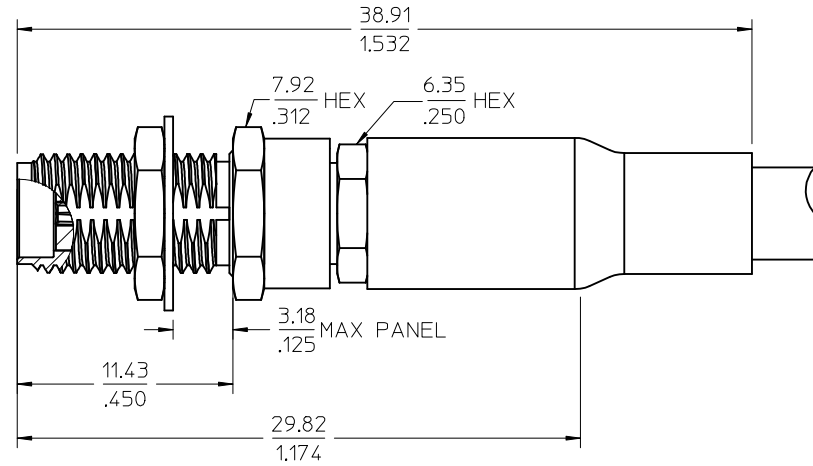
CRIMP TUBE: BRASS  
PLATED NICKEL

INSULATOR: TEFLON

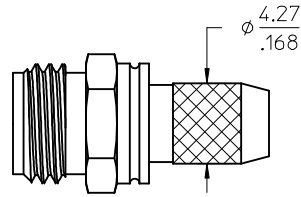
SHRINK TUBE: VERSAFIT OR EQUIVALENT



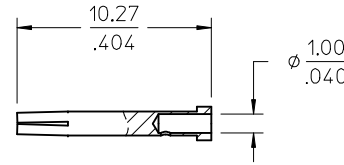
RECOMMENDED MOUNTING HOLE



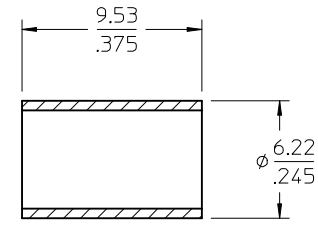
BODY



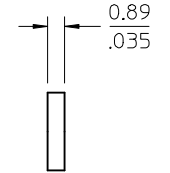
REAR BODY



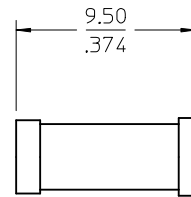
CONTACT



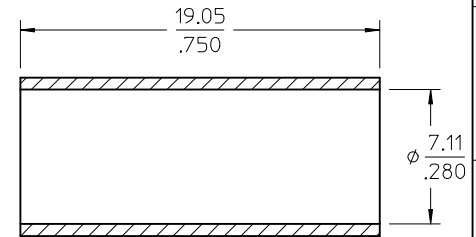
CRIMP TUBE



INSULATOR



INSULATOR



SHRINK TUBE

|            |                              |            |                 |            |                |
|------------|------------------------------|------------|-----------------|------------|----------------|
| 73251-0103 | 73251-0101 BY TRAY (20 CAV.) |            |                 |            |                |
| 73251-0102 | 73251-0100 BY TRAY (20 CAV.) |            |                 |            |                |
| 73251-0101 | BRASS                        | NICKEL     | PHOSPHOR BRONZE | NICKEL     | TRAY (54 CAV.) |
| 73251-0100 | STAINLESS STEEL              | PASSIVATED | STAINLESS STEEL | PASSIVATED | TRAY (54 CAV.) |
| PART NO.   | BODY & JAM NUT               |            | LOCKWASHER      |            | PACKAGING      |

|                          |                        |
|--------------------------|------------------------|
| ES-89675-1550            | CABLE ASSY INSTRUCTION |
| PS-89675-1160            | ELEC/MECH PERFORMANCE  |
| MIL-STD-348A, FIG. 310.2 | INTERFACE              |
| SPECIFICATION            | DESCRIPTION            |

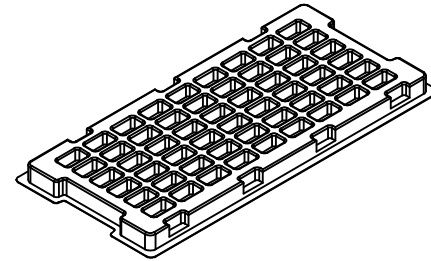
**CHGADDED -0103 & PACKAGING SHEET PER PDR'15/12/127**  
 EC NO: URF2016-0476 2015/12/01  
 DRAWN: YEH 2015/12/01  
 CHKD: CHENG  
 APPR: YEH 2015/12/31  
 DESCRIPTION: A6  
 REV:

|                 |  |
|-----------------|--|
| QUALITY SYMBOLS | GENERAL TOLERANCES (UNLESS SPECIFIED)                |
| ▽=0             | mm INCH  |
| ▽=0             | 4 PLACES ± --- ± ---                                 |
| ▽=0             | 3 PLACES ± --- ± ---                                 |
| ▽=0             | 2 PLACES ± --- ± ---                                 |
| ▽=0             | 1 PLACE ± --- ± ---                                  |
| ▽=0             | 0 PLACE ± ±  |
|                 | ANGULAR ± 2 °  |
|                 | DRAFT WHERE APPLICABLE MUST REMAIN WITHIN DIMENSIONS |

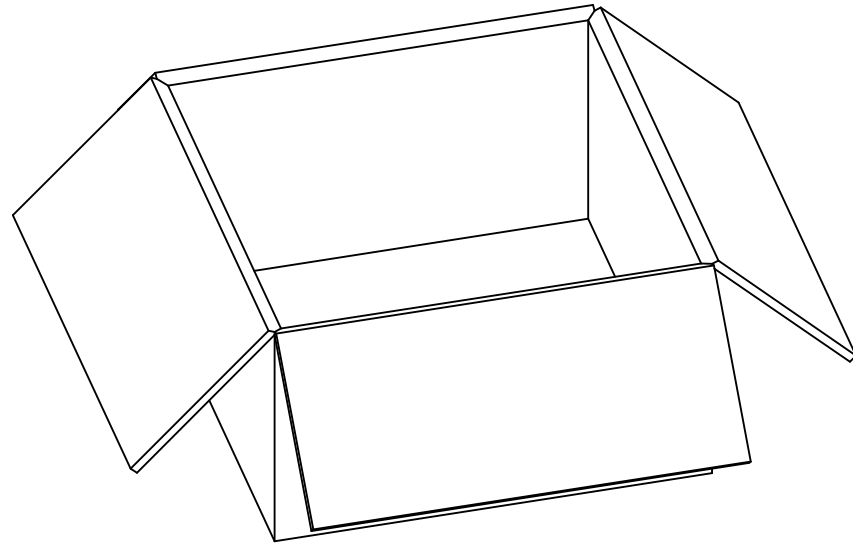
|                 |            |   |              |                        |
|-----------------|------------|---|--------------|------------------------|
| DIMENSION STYLE |            | SCALE   | DESIGN UNITS | THIRD ANGLE PROJECTION |
| MM/IN           |            | 5:1   | METRIC       | ☉                      |
| DRAWN BY        | DATE       | TITLE   |              |                        |
| GMH             | 1997/11/07 | SMA JACK BLKHD STR CLAMP  |              |                        |
| CHECKED BY      | DATE       | RG58/RG141 50 OHMS  |              |                        |
| DHG             | 1997/11/07 | SMA-JC  |              |                        |
| APPROVED BY     | DATE       | <b>molex</b><br>DOCUMENT NO. SD-73251-010 SHEET NO. 1 OF 3  |              |                        |
| GMH             | 1997/11/07 |   |              |                        |
| MATERIAL NO.    | SIZE       | THIS DRAWING CONTAINS INFORMATION THAT IS PROPRIETARY TO MOLEX INCORPORATED AND SHOULD NOT BE USED WITHOUT WRITTEN PERMISSION |              |                        |
| SEE TABLE       | C          |   |              |                        |



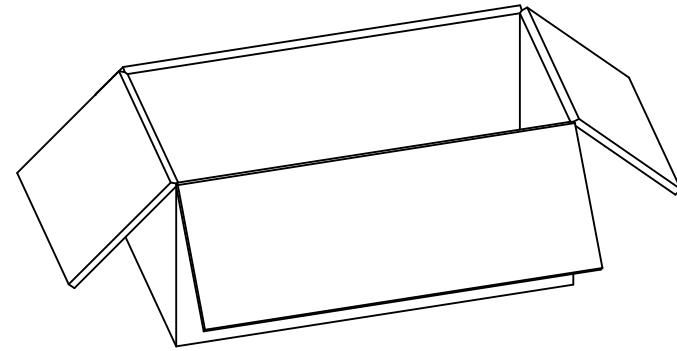
P/N: 73251-0100 / 73251-0101



54 SETS PER TRAY  
P/N: 89707-0220



1080 SETS PER OUTER  
CARTON BOX  
P/N: 96708-0005



540 SETS PER INNER  
CARTON BOX  
P/N: 96707-0001

CHG:SEE SHEET 1  
EC NO: URF2016-0476  
DRAWN:YEH 2015/12/01  
CHKD:  
APPR:YCHENG 2015/12/31

| REV | DESCRIPTION | QUALITY SYMBOLS |
|-----|-------------|-----------------|
|     |             | = 0             |
|     |             | = 0             |
|     |             | = 0             |

GENERAL TOLERANCES (UNLESS SPECIFIED)

|          | mm     | INCH    |
|----------|--------|---------|
| 4 PLACES | ± .005 | ± .0002 |
| 3 PLACES | ± .005 | ± .0002 |
| 2 PLACES | ± .005 | ± .0002 |
| 1 PLACE  | ± .005 | ± .0002 |
| 0 PLACE  | ± .005 | ± .0002 |

ANGULAR ± 2 °

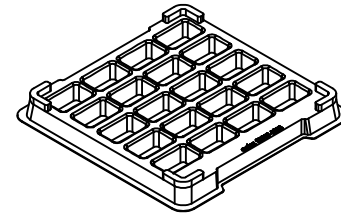
DRAFT WHERE APPLICABLE MUST REMAIN WITHIN DIMENSIONS

| DIMENSION STYLE |            | SCALE                    |  | DESIGN UNITS |  |
|-----------------|------------|--------------------------|--|--------------|--|
| MM/IN           |            | 1.5:1                    |  | METRIC       |  |
| DRAWN BY        | DATE       | TITLE                    |  |              |  |
| GMH             | 1997/11/07 | SMA JACK BLKHD STR CLAMP |  |              |  |
| CHECKED BY      | DATE       | RG58/RG141 50 OHMS       |  |              |  |
| DHG             | 1997/11/07 | SMA-JC                   |  |              |  |
| APPROVED BY     | DATE       | molex                    |  |              |  |
| GMH             | 1997/11/07 | SD-73251-010             |  |              |  |
| MATERIAL NO.    |            | DOCUMENT NO.             |  | SHEET NO.    |  |
| SEE TABLE       |            | SD-73251-010             |  | 2 OF 3       |  |

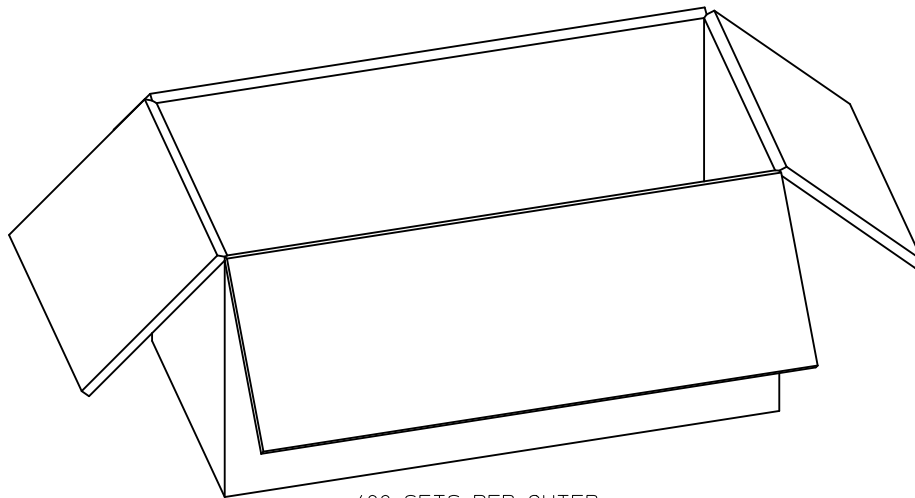
THIS DRAWING CONTAINS INFORMATION THAT IS PROPRIETARY TO MOLEX INCORPORATED AND SHOULD NOT BE USED WITHOUT WRITTEN PERMISSION



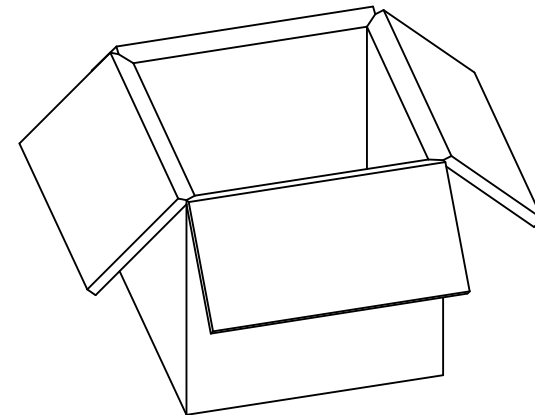
P/N: 73251-0102 / 73251-0103



20 SETS PER TRAY  
P/N: 89707-0308



400 SETS PER OUTER  
CARTON BOX  
P/N: 96707-0002



200 SETS PER INNER  
CARTON BOX  
P/N: 96707-0005

CHG:SEE SHEET 1  
EC NO: URF2016-0476  
DRAWN:YEH 2015/12/01  
CHKD:  
APPR:YCHENG 2015/12/31

REV A6

| REV | DESCRIPTION | QUALITY SYMBOLS |
|-----|-------------|-----------------|
|     |             | = 0             |
|     |             | = 0             |
|     |             | = 0             |

GENERAL TOLERANCES (UNLESS SPECIFIED)

|          | mm    | INCH  |
|----------|-------|-------|
| 4 PLACES | ± --- | ± --- |
| 3 PLACES | ± --- | ± --- |
| 2 PLACES | ± --- | ± --- |
| 1 PLACE  | ± --- | ± --- |
| 0 PLACE  | ±     | ±     |

ANGULAR ± 2 °

DRAFT WHERE APPLICABLE MUST REMAIN WITHIN DIMENSIONS

| DIMENSION STYLE |   | SCALE                    | DESIGN UNITS | THIRD ANGLE PROJECTION |
|-----------------|---|--------------------------|--------------|------------------------|
| MM/IN           |   | 1.5:1                    | METRIC       |                        |
| DRAWN BY        | DATE  | TITLE                    |              |                        |
| GMH             | 1997/11/07  | SMA JACK BLKHD STR CLAMP |              |                        |
| CHECKED BY      | DATE  | RG58/RG141 50 OHMS       |              |                        |
| DHG             | 1997/11/07  | SMA-JC                   |              |                        |
| APPROVED BY     | DATE  | molex                    |              |                        |
| GMH             | 1997/11/07  | SD-73251-010             |              |                        |
| MATERIAL NO.    | DOCUMENT NO.  | SHEET NO.                |              |                        |
| SEE TABLE       | SD-73251-010  | 3 OF 3                   |              |                        |
| SIZE            | THIS DRAWING CONTAINS INFORMATION THAT IS PROPRIETARY TO MOLEX INCORPORATED AND SHOULD NOT BE USED WITHOUT WRITTEN PERMISSION |                          |              |                        |

| SCALE                    | DESIGN UNITS  | THIRD ANGLE PROJECTION |
|--------------------------|---|------------------------|
| 1.5:1                    | METRIC  |                        |
| TITLE                    |   | SHEET NO.              |
| SMA JACK BLKHD STR CLAMP |   | 3 OF 3                 |
| RG58/RG141 50 OHMS       |   |                        |
| SMA-JC                   |   |                        |
| molex                    |   |                        |
| SD-73251-010             |   |                        |
| MATERIAL NO.             |   | DOCUMENT NO.           |
| SEE TABLE                | SD-73251-010  | SHEET NO.              |
| SIZE                     | THIS DRAWING CONTAINS INFORMATION THAT IS PROPRIETARY TO MOLEX INCORPORATED AND SHOULD NOT BE USED WITHOUT WRITTEN PERMISSION |                        |