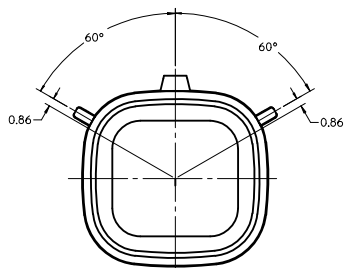
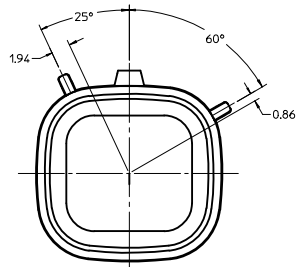


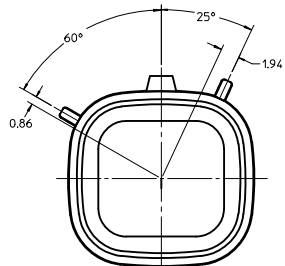
CUSTOMER SHROUD DESIGN DETAILS



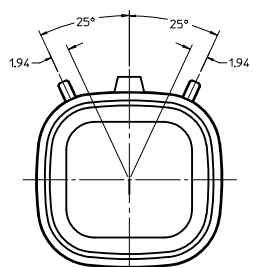
KEYING OPTION "A"
SUGGESTED COLOR: BLACK



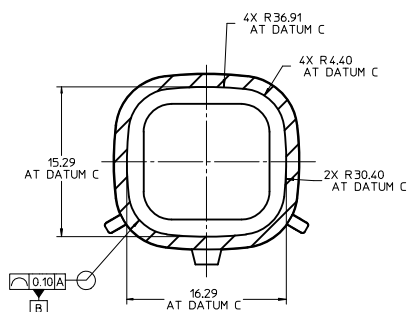
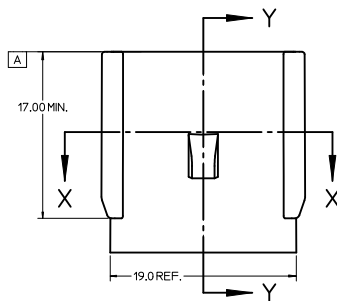
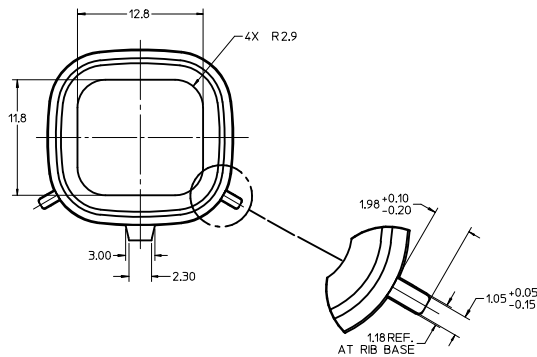
KEYING OPTION "B"
SUGGESTED COLOR: GREY



KEYING OPTION "C"
SUGGESTED COLOR: BROWN



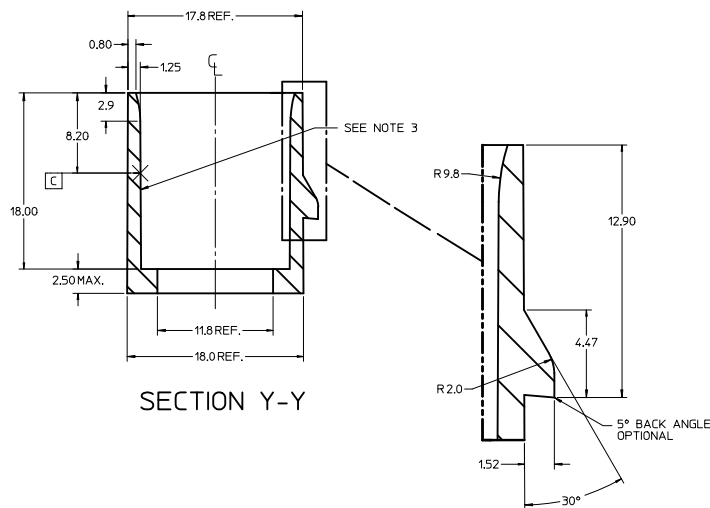
KEYING OPTION "D"
SUGGESTED COLOR: GREEN



SECTION X-X

NOTES:

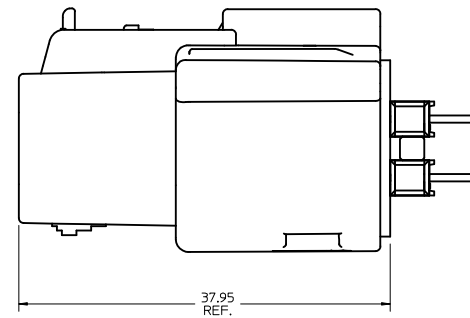
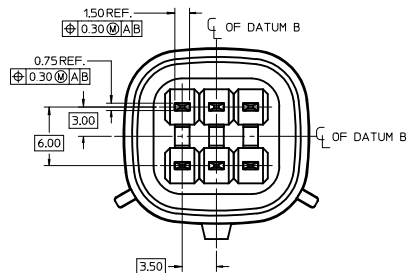
- REFER TO MOLEX SALES DRAWING SD-75757-002 FOR THE HEADER ASSEMBLY PRODUCT DETAILS AND RECOMMENDED PCB LAYOUT.
- KEYING OPTIONS A-D AND SUGGESTED COLORS COMPLY TO THE POLARIZATION STANDARDS ESTABLISHED FOR MATING WITH A MX150 FEMALE CONNECTOR.
- INTERIOR SHROUD SURFACE MUST BE FREE OF DEFECTS AND PARTING LINES ALL AROUND TO ENSURE PROPER SEALING OF THE MATING MX150 FEMALE CONNECTOR.
- A FULL SHROUD ON THE MATING CONNECTOR IS REQUIRED TO INSURE THE HEADER SHROUD POLARIZATION FEATURES (OPTIONS A-D) WILL FUNCTION PROPERLY. THE FULL SHROUD ALSO PREVENTS SCOOP DAMAGE TO THE HEADER CONTACTS.
- PERMISSIBLE DRAFT ANGLE 0.25° MAXIMUM.
- RADI ON ALL CORNERS SHOWN SHARP OR ALL UNSPECIFIED RADI 0.25 EXCEPT AS NOTED.
- DIMENSIONS SHOWN ABOUT A CENTERLINE ARE SYMMETRICAL ABOUT THAT CENTERLINE WITHIN HALF THE SPECIFIED TOLERANCE.



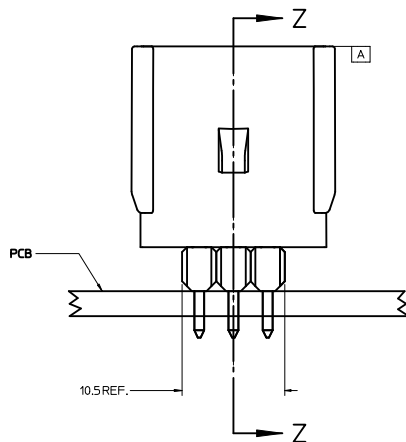
SECTION Y-Y

ADDED PLUG ASSY EC NO: UCF2011-2680 CHYD: DRWN:ROSCA APPR: JCOMERCL 2011/03/07 2011/03/07	QUALITY SYMBOLS ▽=0 ▽=0	GENERAL TOLERANCES (UNLESS SPECIFIED)		DIMENSION STYLE MM ONLY	SCALE 4:1	DESIGN UNITS METRIC	THIRD ANGLE PROJECTION	
		4 PLACES ±0.15	3 PLACES ±0.10	2 PLACES ±0.01	1 PLACE ±0.2	DRAWN BY TMCCLLELL	DATE 2006/04/26	TITLE APPLICATION SPEC 2X3 MX150 HEADER SHROUD DETAILS
		DRAFT WHERE APPLICABLE MUST REMAIN WITHIN DIMENSIONS		MATERIAL NO. 75757-2030	DOCUMENT NO. AS-75757-203	MOLEX INCORPORATED	SHEET NO. 1 OF 2	
		THIS DRAWING CONTAINS INFORMATION THAT IS PROPRIETARY TO MOLEX INCORPORATED AND SHOULD NOT BE USED WITHOUT WRITTEN PERMISSION						

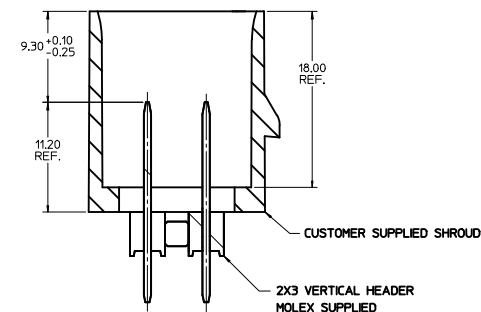
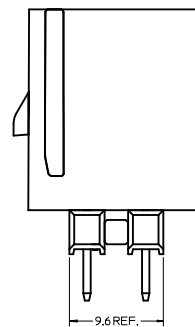
NOTES:
 1. ADHERENCE TO THE HEADER APPLICATION DETAILS IS IMPERATIVE TO ENSURE PROPER SHROUD SEALING AND CONTACT ALIGNMENT WHEN MATED WITH A MX150 FEMALE CONNECTOR.



CONNECTOR ASSEMBLY



HEADER APPLICATION DETAILS



SECTION Z-Z

SEE SHEET 1 IEC NO. UCP2011-2680 DRAWN BY: DRW:DROROSCA CHKD: APPR.: JCOMERCL 2011/03/04 2011/03/07	QUALITY SYMBOLS	GENERAL TOLERANCES (UNLESS SPECIFIED)	DIMENSION STYLE	SCALE	DESIGN UNITS	THIRD ANGLE PROJECTION	
	▽=0 ▽=0	mm INCH	MM ONLY	4:1	METRIC		
		4 PLACES ± 3 PLACES ± 2 PLACES ±0.01 1 PLACE ±0.2	DRAWN BY: TMCLELL DATE: 2006/04/26 CHECKED BY: TMCLELL DATE: 2006/04/26 APPROVED BY: BANAKJIS DATE: 2006/04/28	TITLE	APPLICATION SPEC 2X3 MX150 HEADER SHROUD DETAILS		
		ANGULAR ±1/2°	MATERIAL NO. 75757-2030 DOCUMENT NO. AS-75757-203	MOLEX INCORPORATED	SHEET NO. 2 OF 2		
DRAFT WHERE APPLICABLE MUST REMAIN WITHIN DIMENSIONS		THIS DRAWING CONTAINS INFORMATION THAT IS PROPRIETARY TO MOLEX INCORPORATED AND SHOULD NOT BE USED WITHOUT WRITTEN PERMISSION					