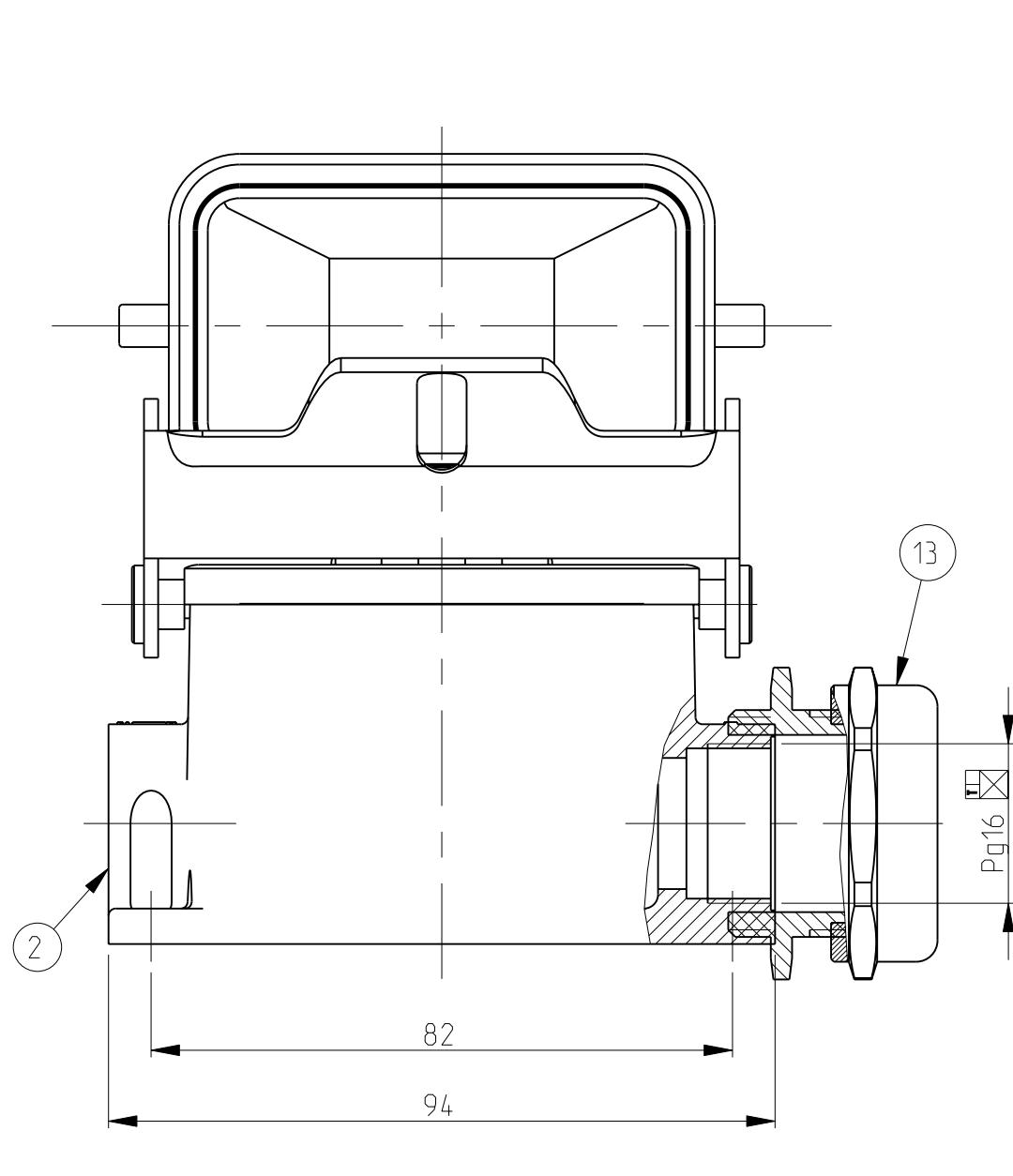
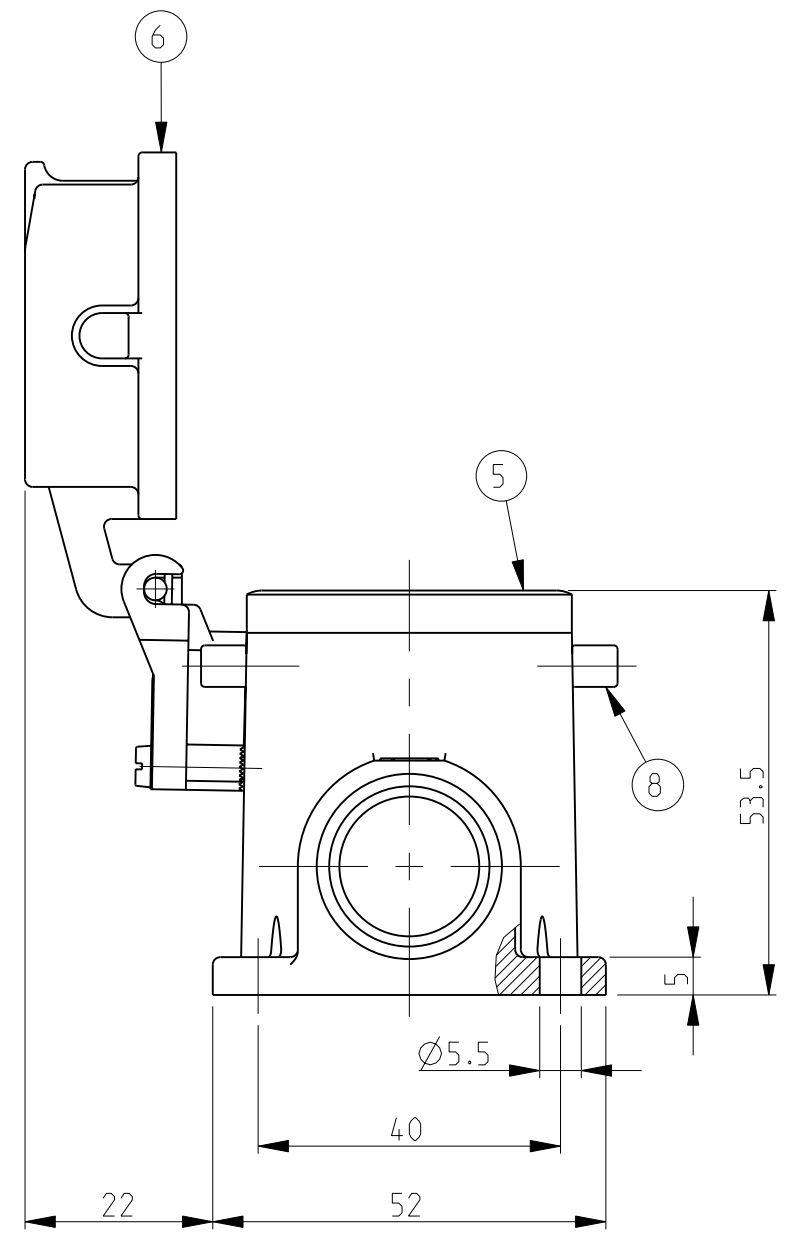
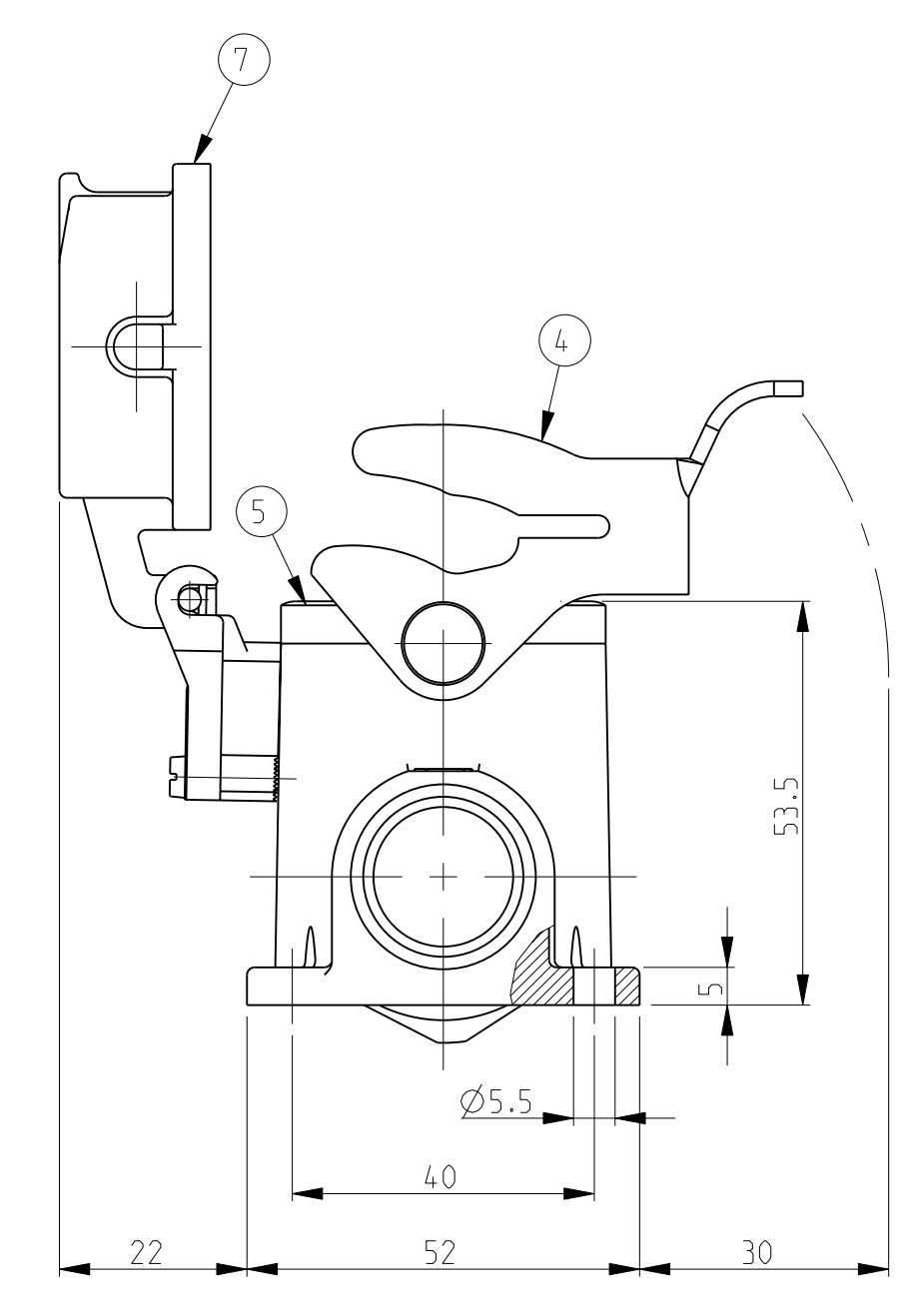


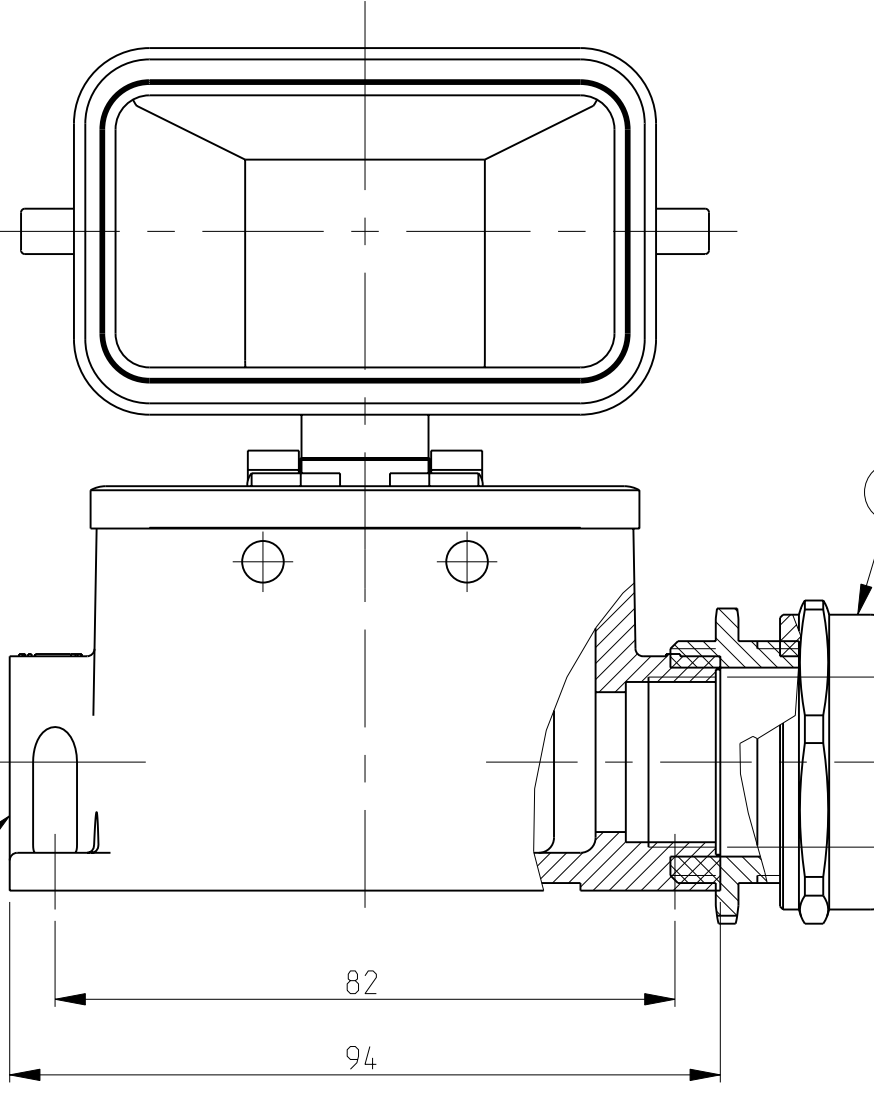
PN 1-6



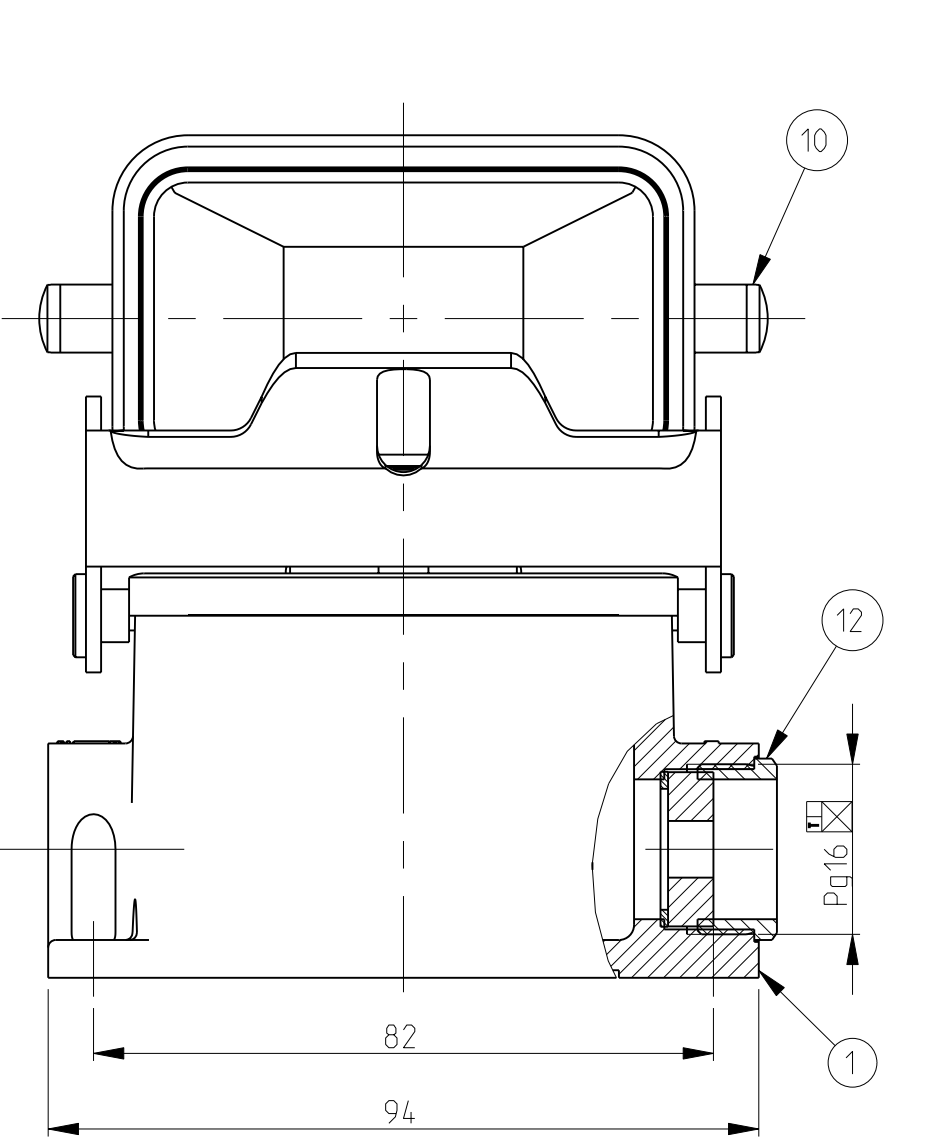
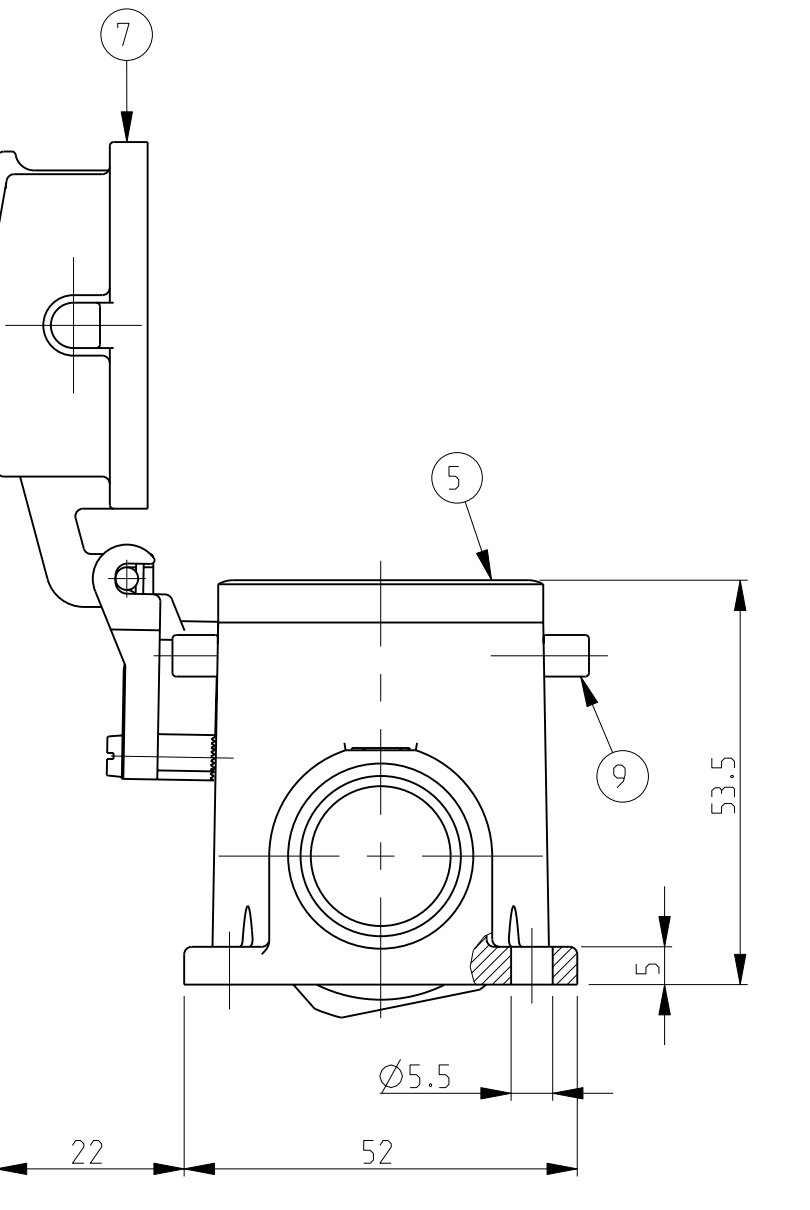
PN 2-2



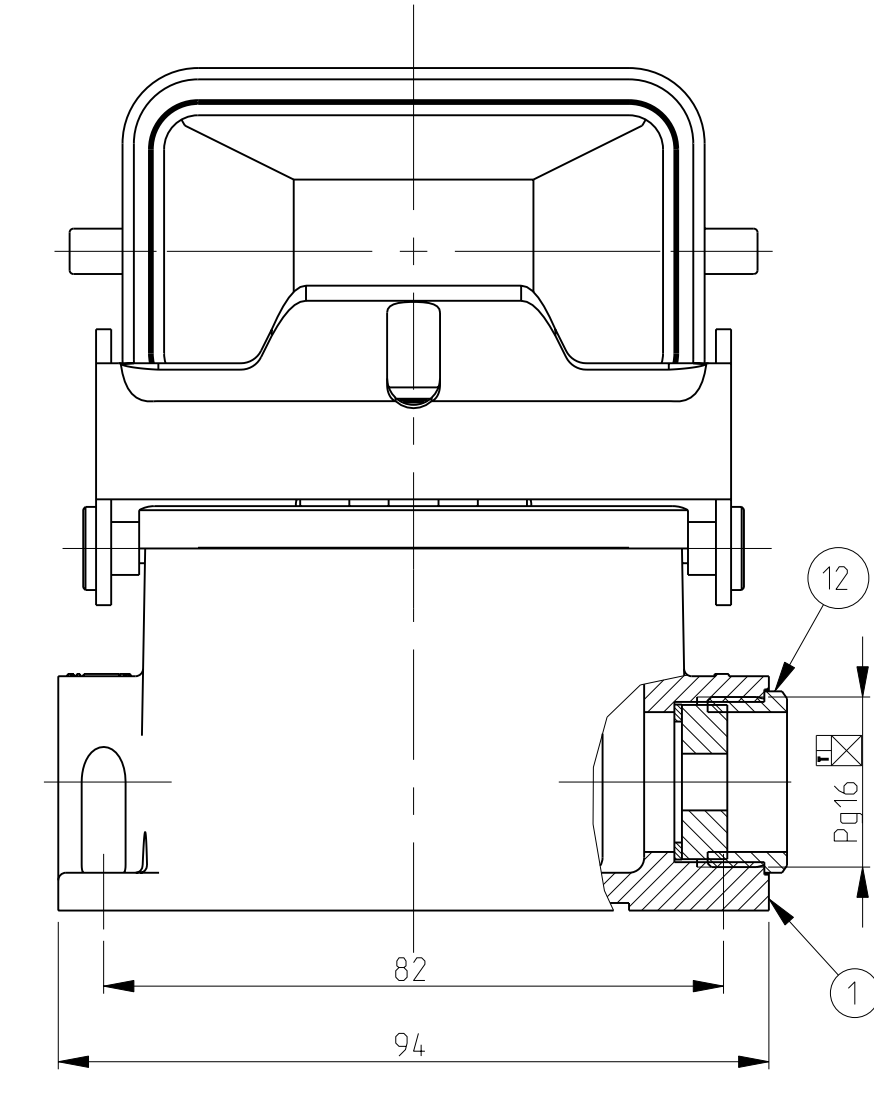
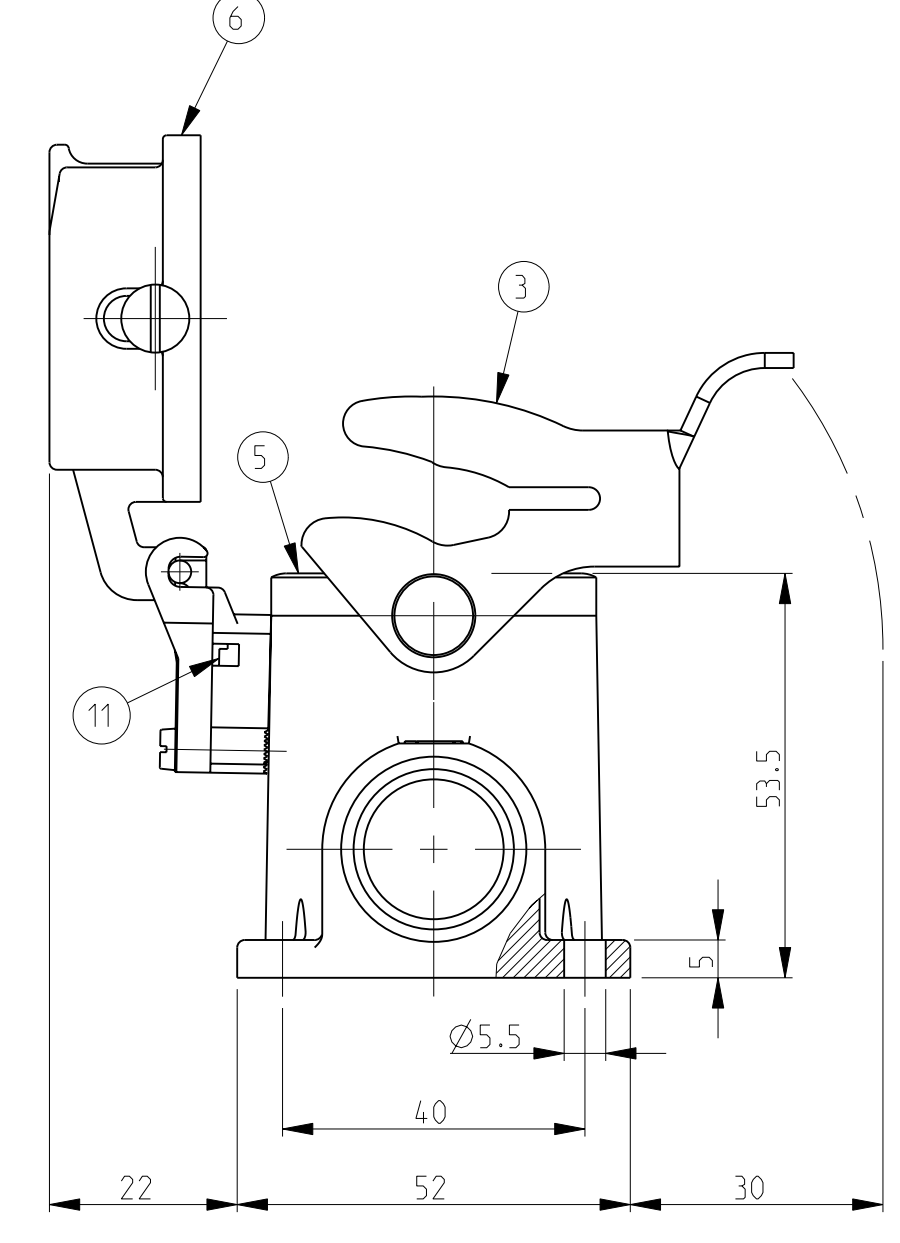
- NOTES.
- 1 Material:Housing:Aluminium Diecasting Alloy  
Seals:Neoprene
  - 2 Surface:Varnish grey  
-Aluminium Oxide -Varnish Black  
-Grey
  - 3 Varnish on the inside not necessary
  - 4 Packaging  
Quantity 5 Pieces in a box



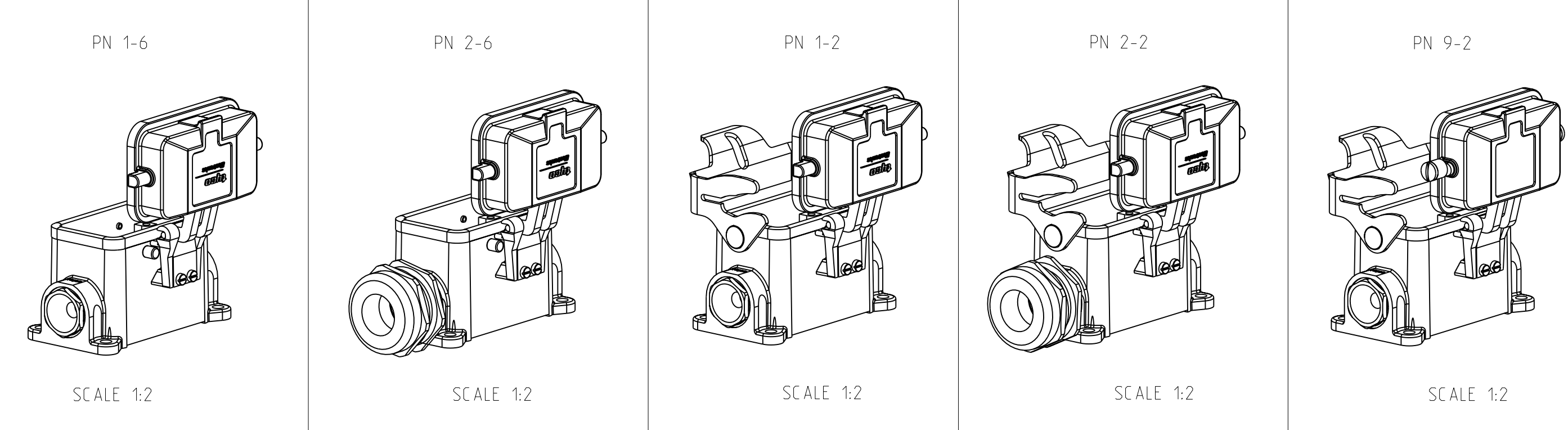
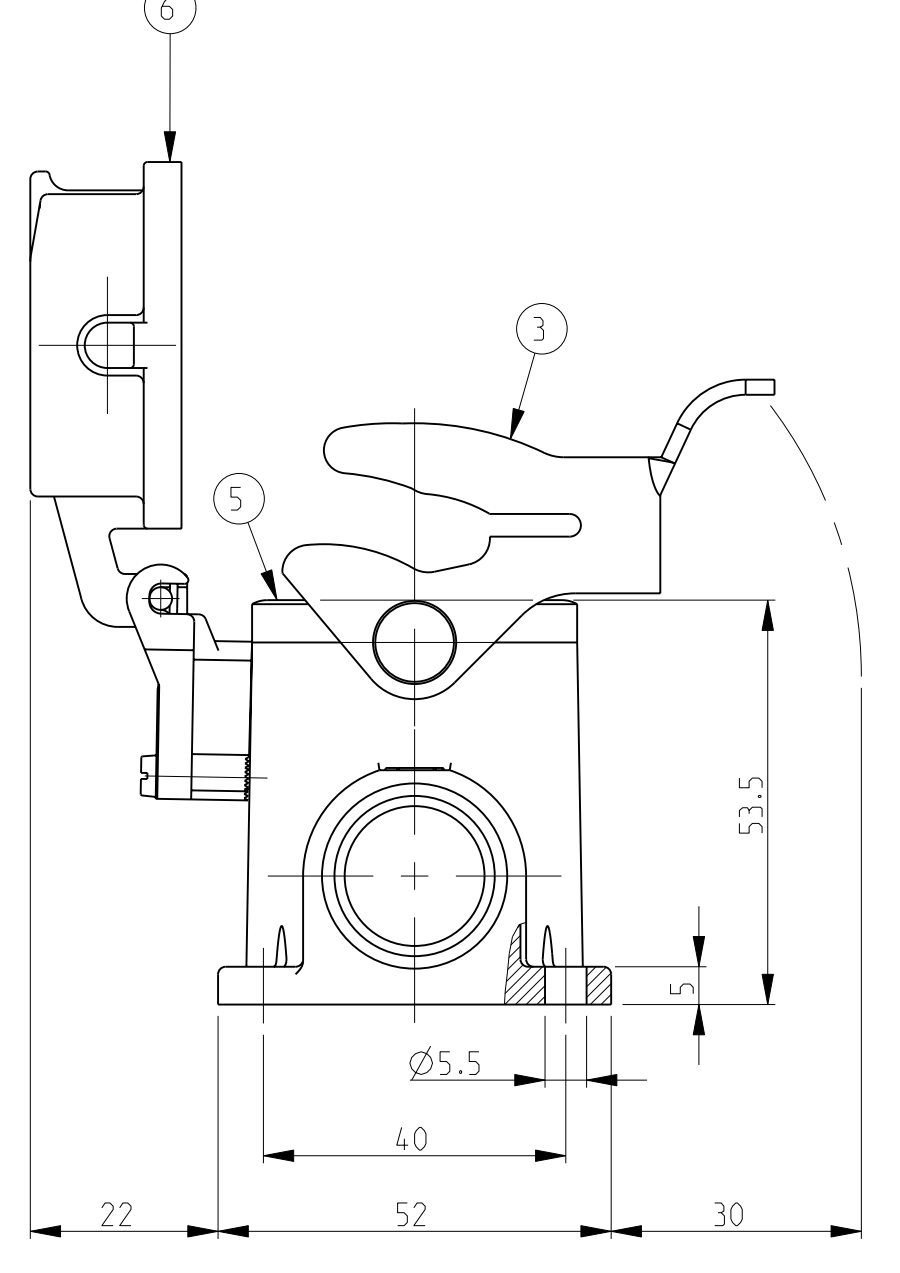
PN 2-6



PN 9-2



PN 1-2



QTY	DESCRIPTION	MATERIAL	SURFACE	COLOR	TEMP	NOTES
1	1	Huf-Gland fitting round	Brass	Nickel plated	Blue	13 Pg16
1	1	DS-Cable fitting round	Brass	Nickel plated	Blue	12 Pg16
1	1	Cylinder screw M4x8	Steel	Zinc plated	Blue	11
2	4	LB-Clip bolt	Steel	Zinc plated	Blue	10
	4	VS-Clip bolt	Stainless steel	Blank	Blue	9
	4	VS-Clip bolt	Steel	Zinc plated	Blue	8
1	1	Cover HB-K	Aluminium	Aluminium oxide	Black	7
1	1	Cover HB	Aluminium	Aluminium oxide	Grey	6
1	1	Profile seal	Neoprene		Black	5
1	1	LB-Side clip	Stainless steel	Blank	Blue	4
1	1	LB-Side clip	Steel	Zinc plated	Blue	3
1	1	Surface mounted housing side entry HB-K	Aluminium	Aluminium oxide	Black	2
1	1	Surface mounted housing side entry HB	Aluminium	Aluminium oxide	Grey	1
9-2-2-2-1-2-2-6-1-6 ORDERING TEXT HB-10.SGD-1.16 HB-K-10.SGD-1.16 HB-10.SGD-LB-1.16 HB-K-10.SGD-LB-1.16 HB-10.SGD-LB-1.16						
DIMENSIONS:		DRAWN: [Signature]		DATE: 30.04.03		BY: [Signature]
MATERIAL:		FINISH:		CUSTOMER DRAWING		SCALE: 1:1
PRODUCT SPEC:		APPLICATION SPEC:		SIZE: A0		CASE CODE: 00779
DRAWING NO: 1102285		DRAWN: [Signature]		DATE: 30.04.03		BY: [Signature]
TYCO ELECTRONICS		TYCO ELECTRONICS		TYCO ELECTRONICS		TYCO ELECTRONICS