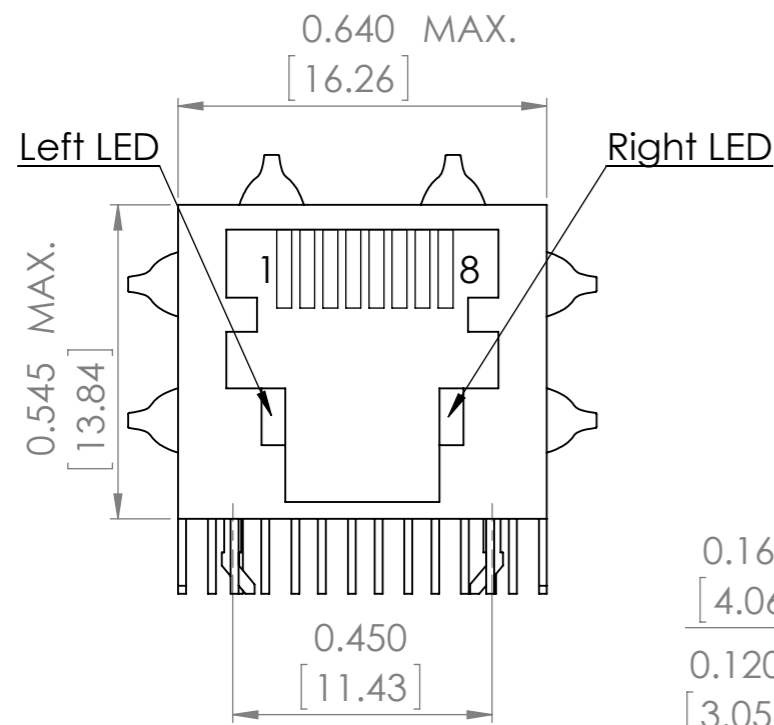
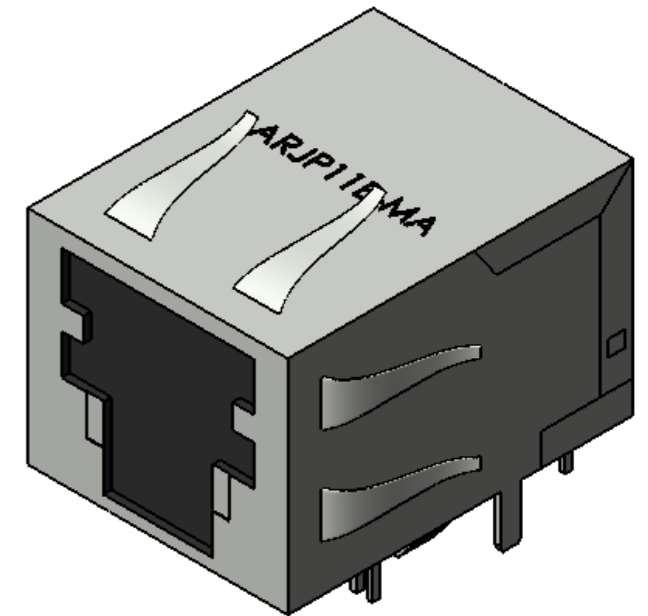
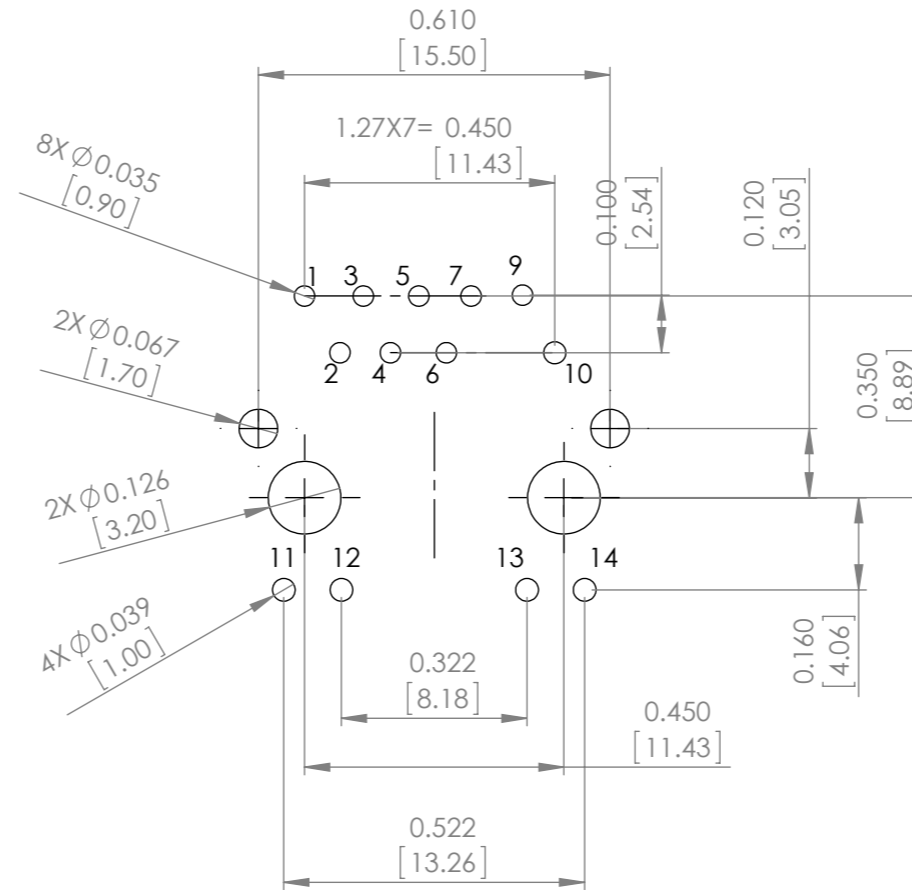
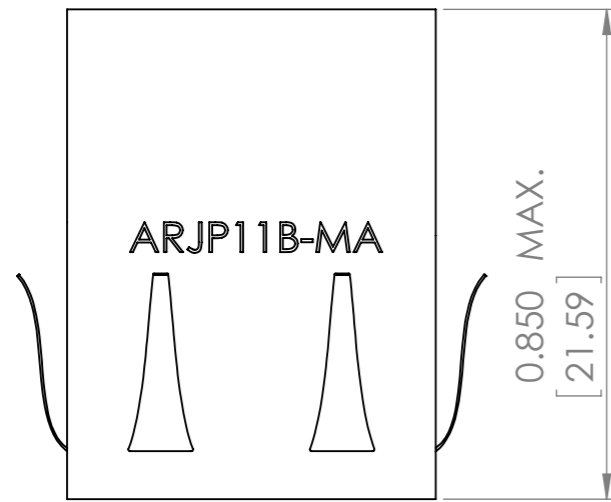
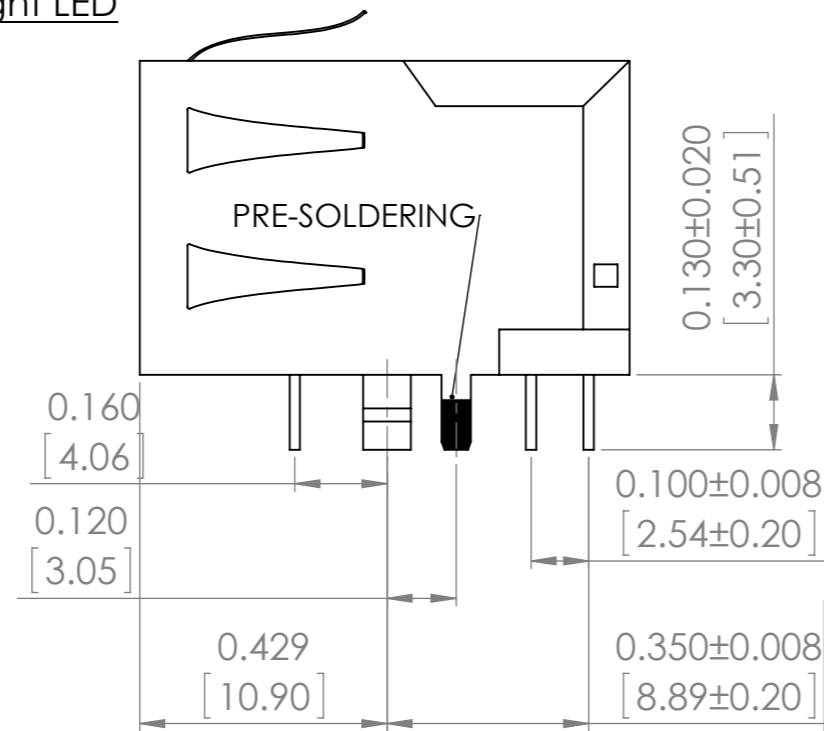
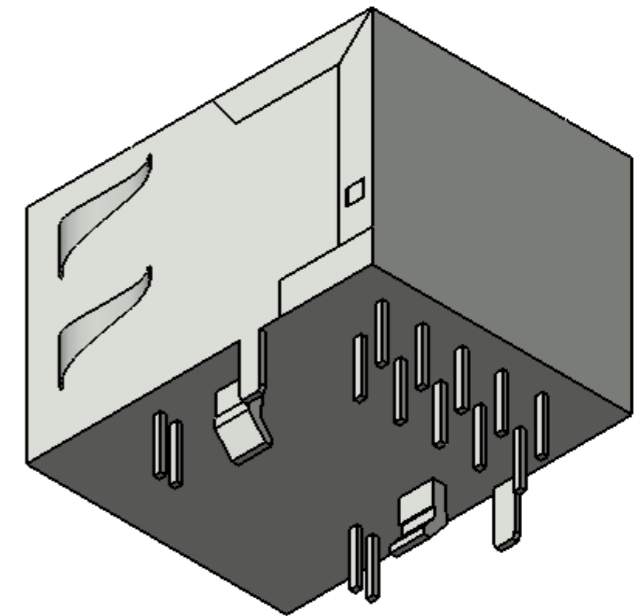



MA



**PC BOARD LAYOUT
COMPONENT SIDE SHOWN**



✱ led pin are parallel

UNLESS OTHERWISE SPECIFIED: DIMENSIONS ARE IN MM SURFACE FINISH: TOLERANCES: LINEAR: ANGULAR:				FINISH:		DEBUR AND BREAK SHARP EDGES		DO NOT SCALE DRAWING		REVISION -	
DRAWN SAAZVAT				SIGNATURE		DATE		 30332 Esperanza, Rancho Santa margarita, California 92688			
CHK'D XXXXXX				APPV'D		MFG					
Q.A				MATERIAL:		WEIGHT:		TITLE: RJ45		DWG NO. ARJP11B-MA	
								SCALE:3:1		SHEET 1 OF 1	

A3