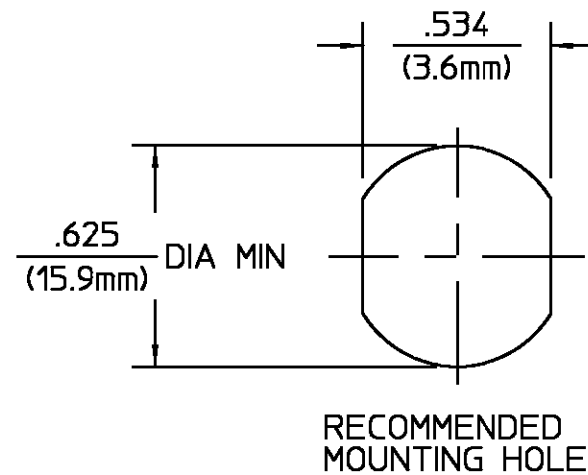
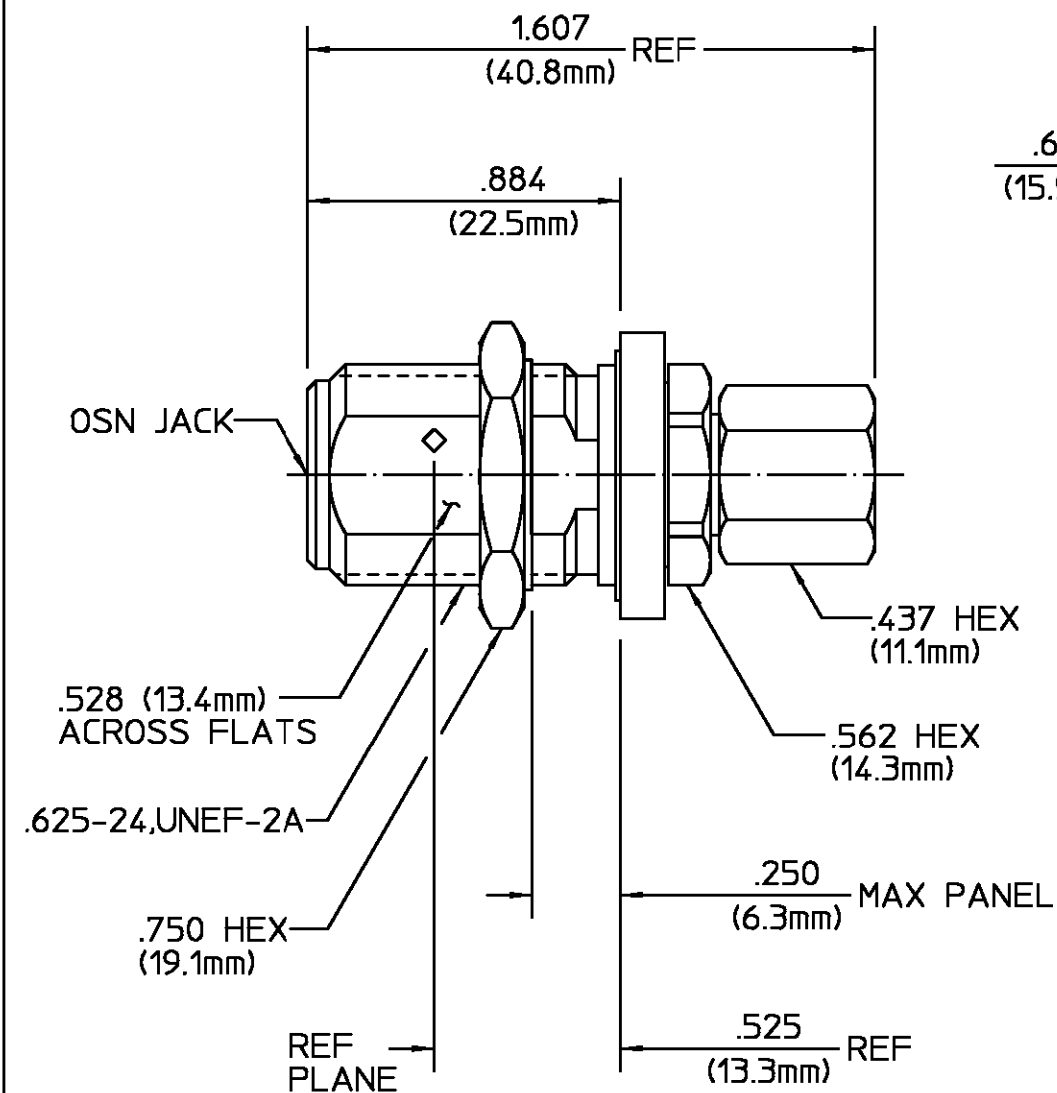


REVISIONS			
REV	DESCRIPTION	DATE	APPROVED
01 <sub>0</sub>	RELEASED	6-28-89	S.T.M.



COMPONENT	MATERIAL	FINISH
HOUSING	STAINLESS STEEL PER ASTM-A484 AND ASTM-A582, TYPE 303	PASSIVATE PER ASTM-A380
CLAMP NUT		
MOUNTING NUT		
LOCKWASHER		
DIELECTRIC	TFE FLUOROCARBON PER ASTM-D-1457, MIL-P-19468, AND FED. SPEC L-P-403	N/A
CENTER CONTACT BUSHING	BERYLLIUM COPPER PER QQ-C-530, ALLOY 173	GOLD PLATE PER MIL-G-45204 OVER COPPER PLATE PER MIL-C-14550
GASKET	SILICONE RUBBER PER ZZ-R-765	N/A
O-RING		

NOTES:

- DESIGNED FOR USE WITH .250 DIA SEMI-RIGID CABLE.

CABLE ENTRY DIAMETER MINIMUM	UNLESS OTHERWISE SPECIFIED DIMENSIONS ARE IN INCHES TOLERANCE ON	DRAWN BY L.ROSS DATE 6-28-89	AMP Incorporated 140 Fourth Avenue Waltham, MA 02451-7599	
CONTACT	FRAC. DEC. ANGLES ± 1/64 ± .005 ± °	CHECKED BY C.W. DATE 6-28-89	<b>AMP</b> TITLE OSN BULKHEAD FEEDTHROUGH CABLE JACK-COMPRESSION CLAMP ATTACHMENT SIZE B CODE IDENT NO. 26805 3004-7750-02 REV 01 <sub>0</sub> SCALE 2:1 SHEET 1 OF 1	
	These drawings and specifications are the property of Omni Spectra Incorporated and shall not be reproduced or copied or used in whole or in part as the basis for the manufacture or sale of item(s) without written permission.	APPD BY S.T.M. DATE 6-28-89		
		USE ASS'Y PROCEDURE		
		408-04898 NO. AP. (30-024)		