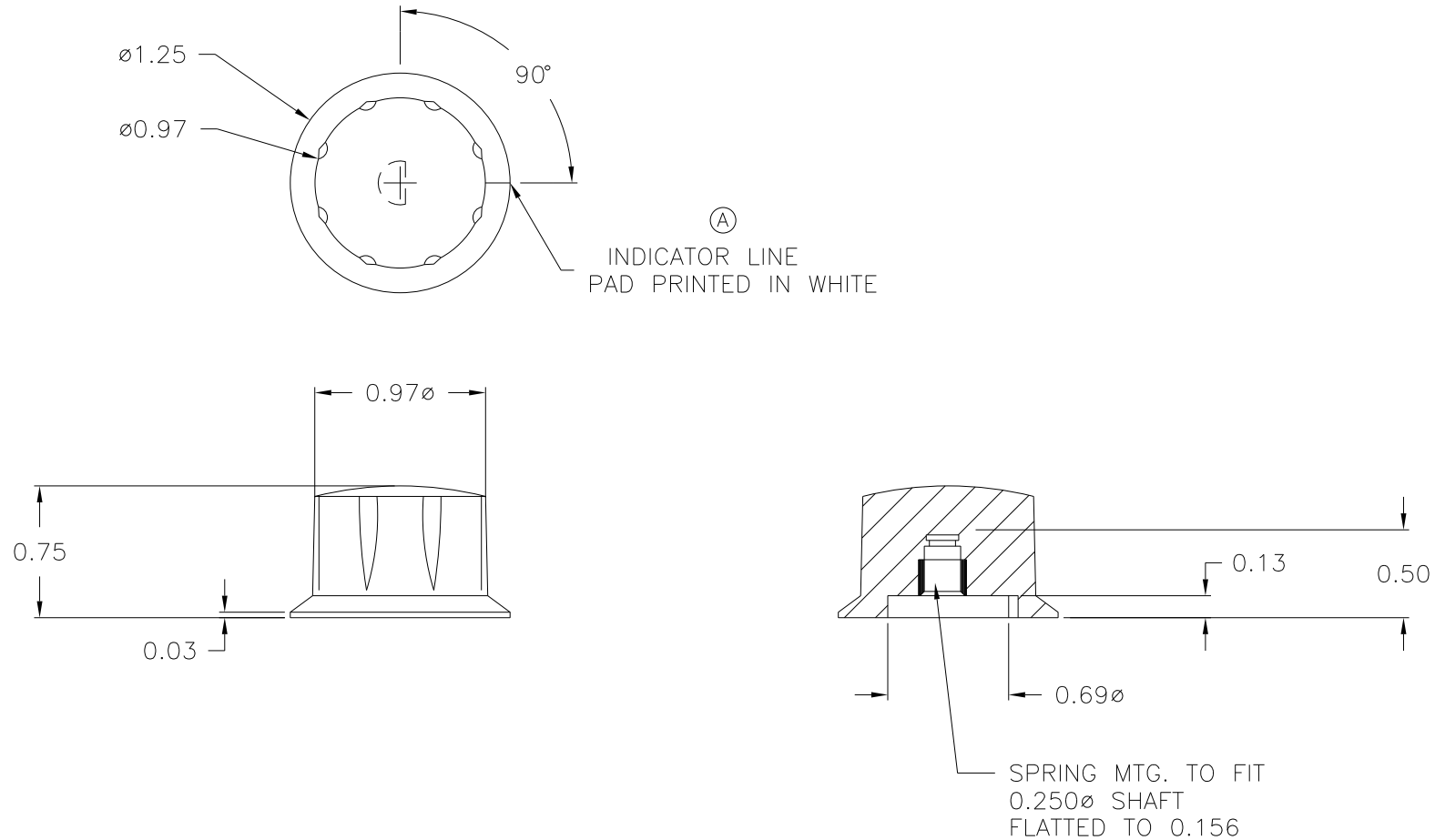


PART NAME: KNOB SCALE: 1:1 DATE: 10/17/97 DR. BY HD

DAVIES MOLDING COMPANY
CAROL STREAM, ILLINOIS 60188

P/N 1920AR	
BASE PART	1920-02
SPRING	I1125A

THIS DRAWING IS THE PROPERTY OF DAVIES MOLDING COMPANY, IS SUBMITTED SOLELY AS A DESIGN OR ENGINEERING PROJECT. WE ACCEPT NO RESPONSIBILITY WHATSOEVER FOR THE PRACTICAL APPLICATION OF THE PIECES MADE TO THIS DESIGN.



MATERIAL: G.P. PHENOLIC (B11)
COLOR: BLACK

TOLERANCES: UNLESS OTHERWISE SPECIFIED	DO NOT SCALE DRAWING			
DECIMALS: X.XXX \pm .005 X.XX \pm .015	MM: X.XX \pm 0.15MM X.X \pm 0.4MM	A	WAS: MOLDED INDICATOR GROOVE (PAINT FILLED IN WHITE)	JAM 10/24/02
		-	UPDATED TOOLBOX	JAM 10/24/02
FRACTIONS \pm 1/64	ANG. \pm 1°	CHANGES		