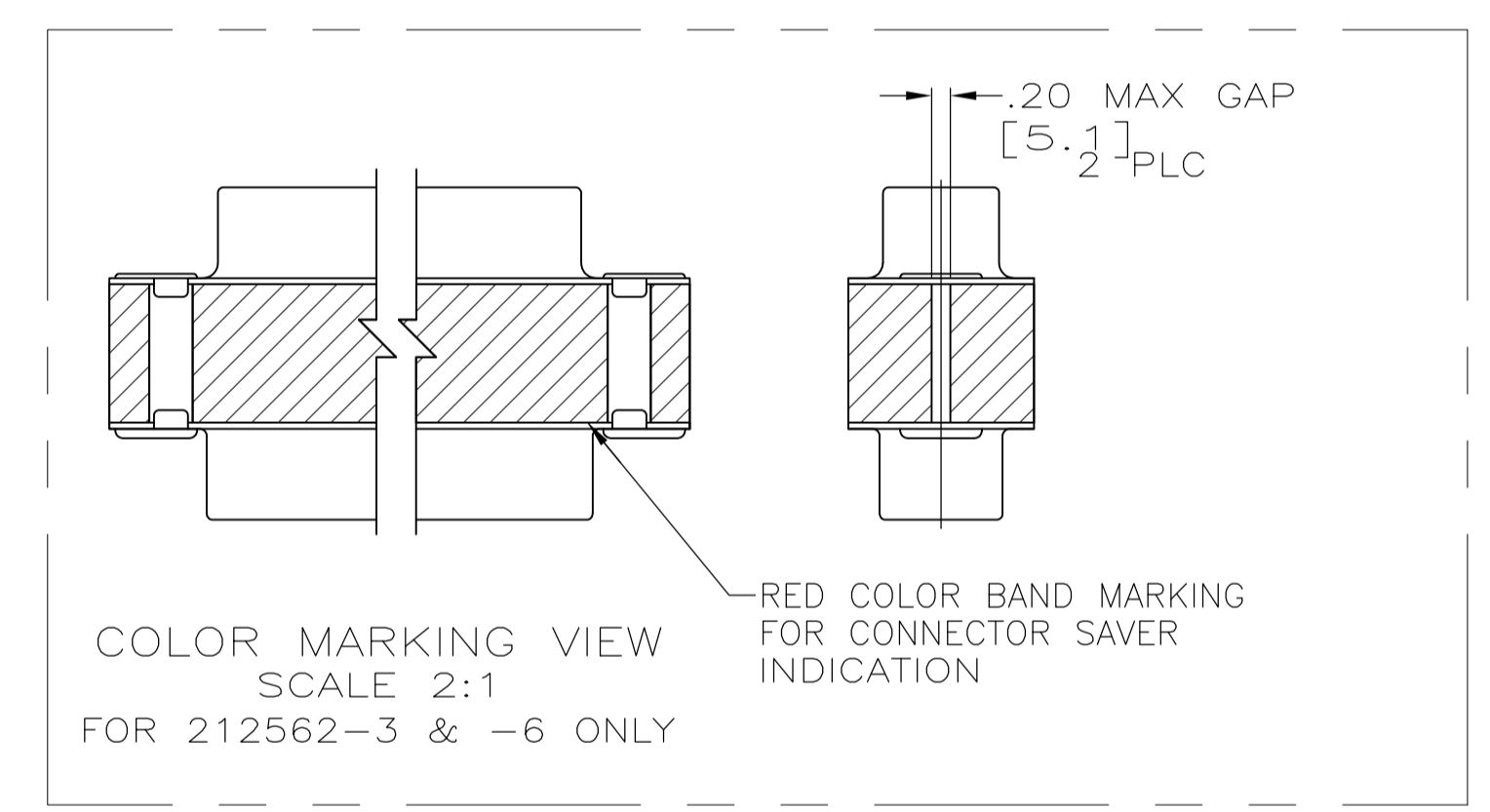
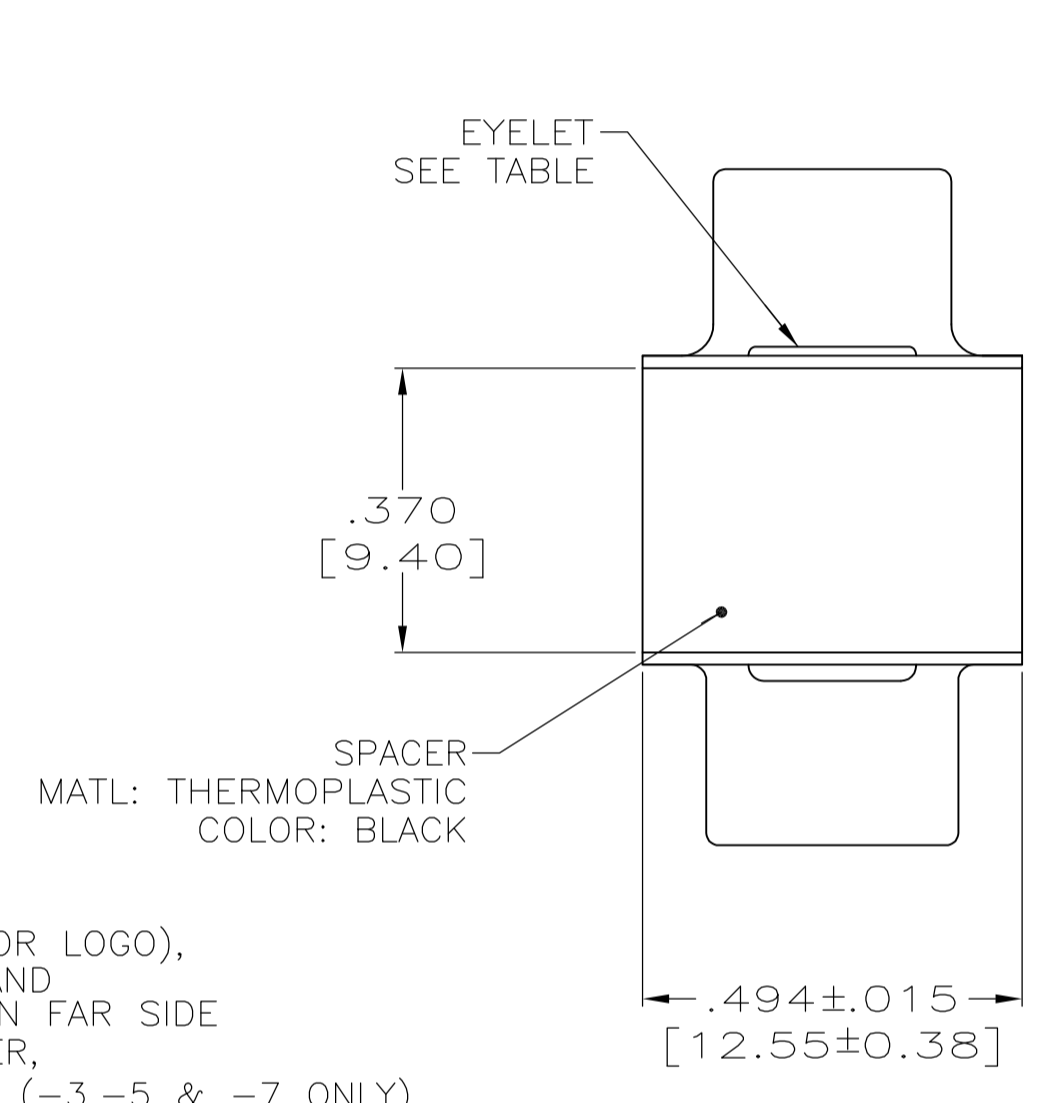
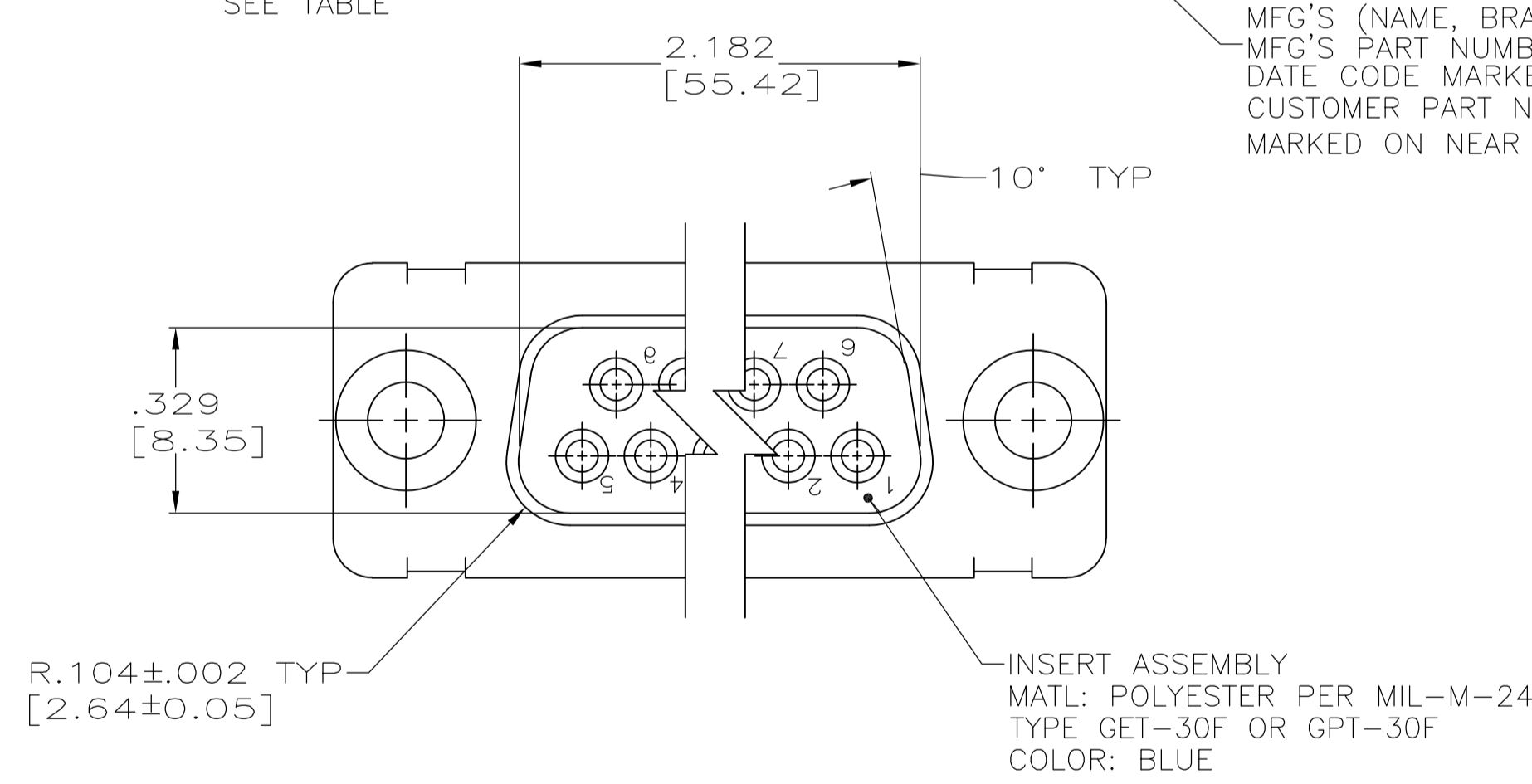
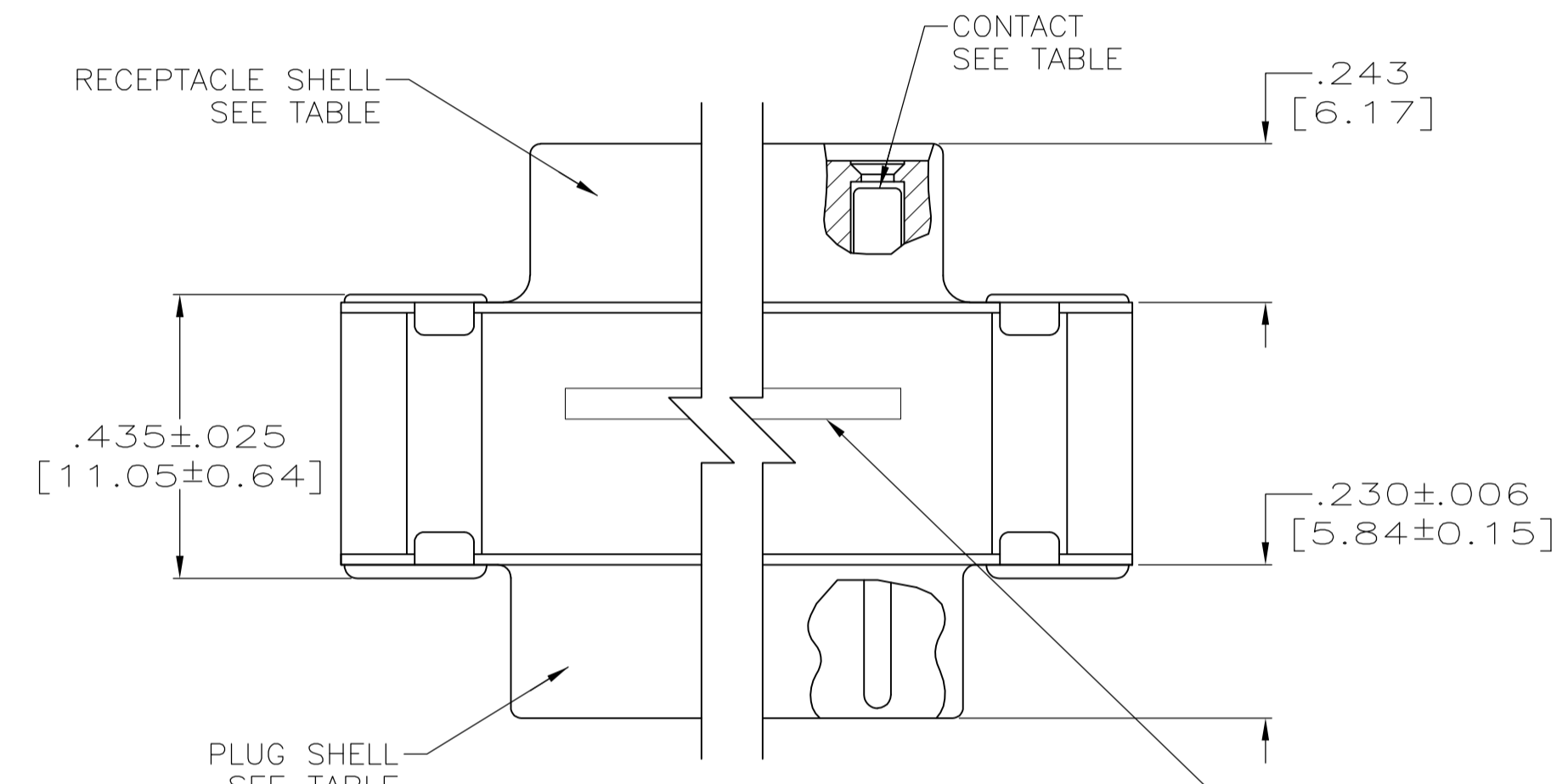
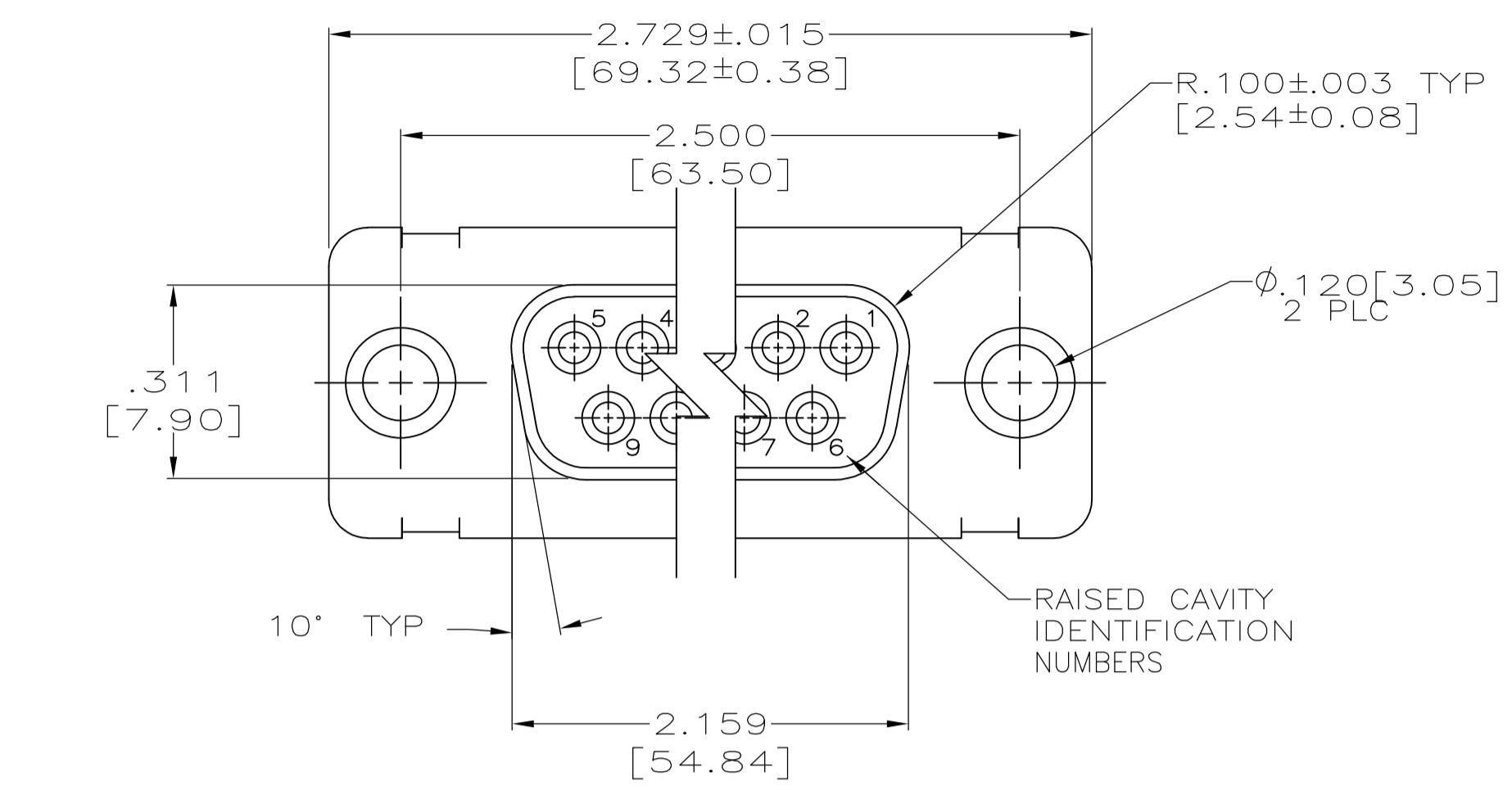


LOC		DIST		REVISIONS			
P	LTR	DESCRIPTION	DATE	DN	APVD		
R		REV PER ECO 13-001184	1-29-13	CT	RL		



- 1. CONTACTS INCLUDED IN ASSEMBLY EXCEPT FOR 212562-7.
- △ MATL: STEEL, PER ASTM-A-109.
- △ FINISH: CADMIUM PER QQ-P-416.
- △ CONTACT
- BODY MATL: BERYLLIUM COPPER PER ASTM-B-197.
- BODY FINISH: PLATED GOLD, .000050 MIN THK PER MIL-G-45204 OVER NICKEL, .000050 MIN THK PER QQ-N-290.
- HOOD MATL: STAINLESS STEEL PER ASTM-A-167.
- HOOD FINISH: PASSIVATED PER ASTM-A-380.
- △ FINISH: PLATED ZINC .00020 MIN THK PER ASTM-B-633. YELLOW CHROMATE FINISH.
- △ MATL: BRASS PER ASTM-B-36.
- △ FINISH: PLATED GOLD, .000050 MIN THK PER MIL-G-45204 OVER COPPER, .000100 MIN THK PER MIL-C-14550.
- △ CONTACT
- BODY MATL: BERYLLIUM COPPER PER ASTM-B-197.
- BODY AND HOOD FINISH: PLATED GOLD, .000050 MIN THK PER MIL-G-45204 OVER COPPER, .000100 MIN THK PER MIL-C-14550.
- HOOD MATL: BRASS PER ASTM-B-36

MFG'S (NAME, BRAND OR LOGO), MFG'S PART NUMBER AND DATE CODE MARKED ON FAR SIDE CUSTOMER PART NUMBER, MARKED ON NEAR SIDE (-3, -5 & -7 ONLY)

△ △	△ △	---	PT2-111-4	212562-7
△ △	△ △	△	4U884 SOCN R10002677-0104	212562-6
△ △	△ △	△	PT2-111-10	212562-5
△ △	△ △	△	-	212562-4
△ △	△ △	△	(1J02-104)	212562-3
△ △	△ △	△	-	212562-2
△ △	△ △	△	-	212562-1
EYELET	SHELLS	CONTACT	CUSTOMER P/N	PART NO.

OBSOLETE

THIS DRAWING IS A CONTROLLED DOCUMENT.		DIN T. THOMPSON 11-07-94		STE TE Connectivity	
DIMENSIONS: INCHES		TOLERANCES UNLESS OTHERWISE SPECIFIED:		NAME	
0 PLC ± -		1 PLC ± -		CONNECTOR SAVER, AMPLIMITE	
1 PLC ± -		2 PLC ± -		37 POSITION, SIZE 4, SERIES 109	
2 PLC ± -		3 PLC ± .005 [0.13]		APPLICATION SPEC	
3 PLC ± -		4 PLC ± -		SIZE	
4 PLC ± -		ANGLES ± -		CAGE CODE	
MATERIAL		FINISH		DRAWING NO	
				A1 00779 C=212562	
				RESTRICTED TO	
				WEIGHT	
				CUSTOMER DRAWING	
				SCALE 4:1 SHEET 1 OF 1 REV R	