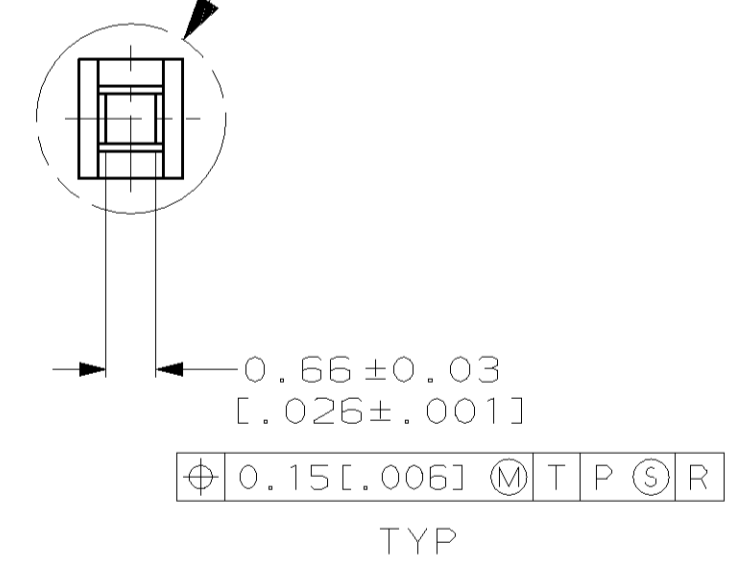
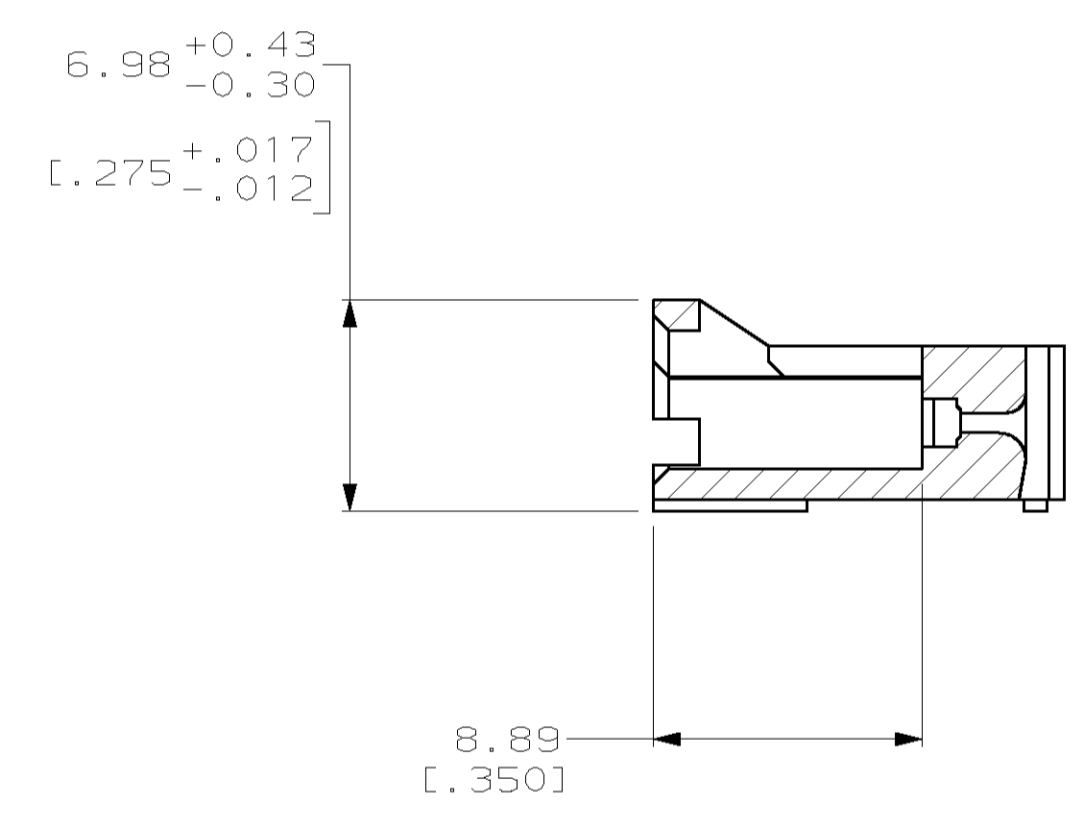
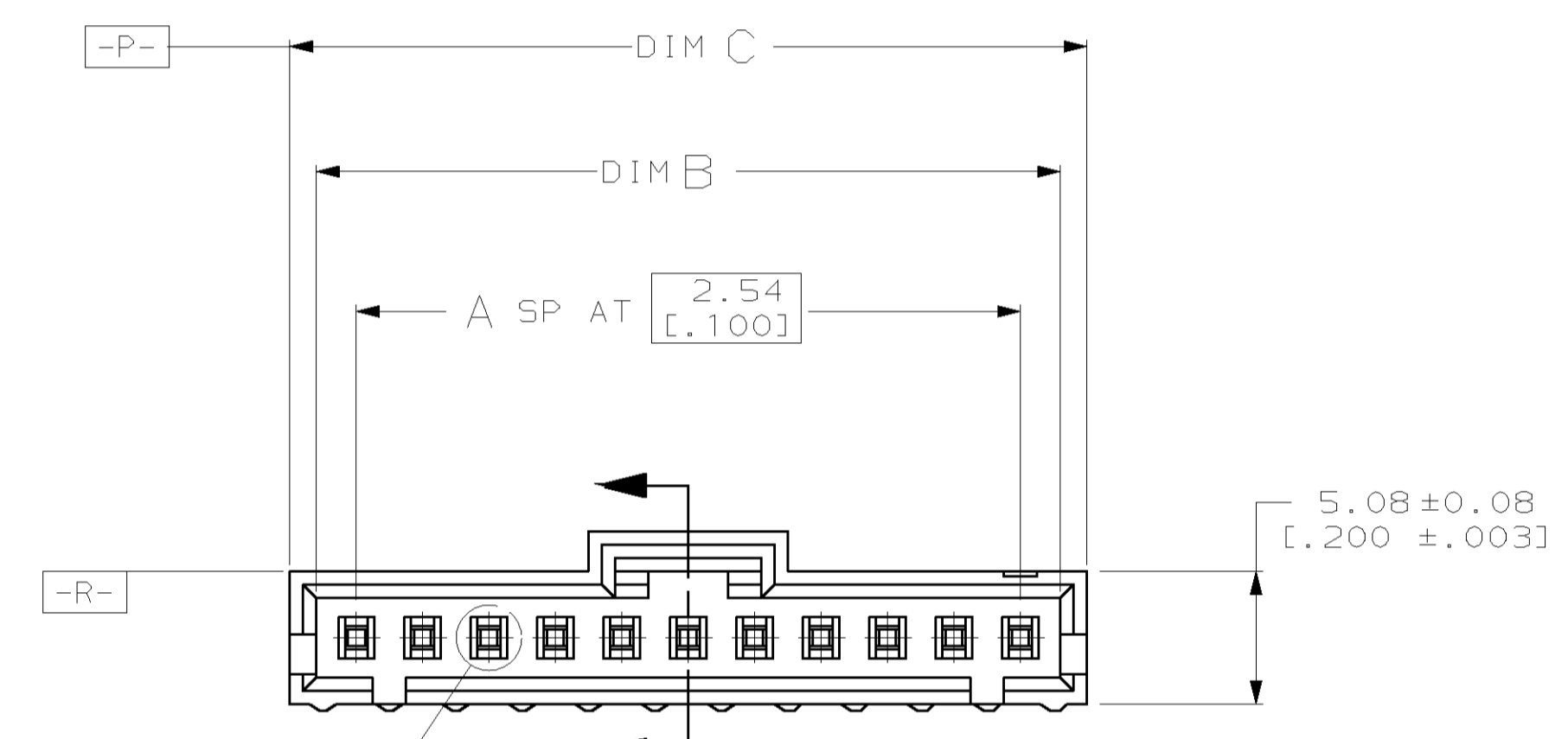
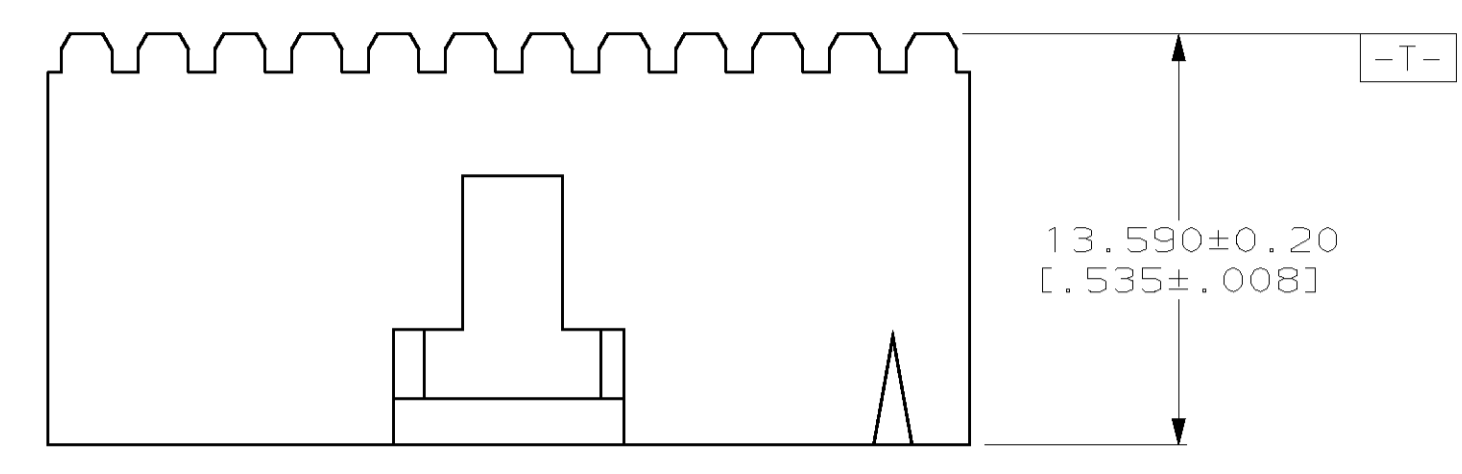


LOC		DIST		REVISIONS			
AD	39	TR	LYR	DESCRIPTION	DATE	DWN	APVD
		B		REV PER 063C-0044-03	29JAN03	RB	JG

△ MATERIAL:
 HOUSING: FLAME RETARDANT THERMOPLASTIC, COLOR - BLACK



33.02 [1.300]	30.99 [1.220]	11	12	1-103629-1
30.48 [1.200]	28.45 [1.120]	10	11	1-103629-0
12.70 [0.500]	10.67 [0.420]	3	4	103629-3
C	B	A	NO OF POSN	PART NUMBER

<small>THIS DRAWING IS A CONTROLLED DOCUMENT. IT IS SUBJECT TO CHANGE AND THE CONTROLLING ENGINEER/REGULATOR SHOULD BE CONTACTED FOR THE LATEST REVISION.</small>		DWN E. BRANDBERG 22-APR-97 CHK J. GESFORD 22-APR-97	AMP AMP Incorporated Harrisburg, PA 17105-3608
DIMENSIONS: mm [INCH]	TOLERANCES UNLESS OTHERWISE SPECIFIED: 0 PLC ±- 1 PLC ±- 2 PLC ±0.13 [0.005] 3 PLC ±- 4 PLC ±- ANGLES ±-	NAME: HEADER HOUSING, AMPMODU MTE, SINGLE ROW, 2.54 [0.100] CL, POLARIZED, RIGHT ANGLE / VERTICAL MOUNT WITH LATCH	
		PRODUCT SPEC: 108-25034 APPLICATION SPEC: 114-25026	SIZE: A1 CAGE CODE: 00779 DRAWING NO: C-103629
MATERIAL: △	FINISH: -	WEIGHT: -	CUSTOMER DRAWING SCALE: 4:1 SHEET 1 OF 1 REV B