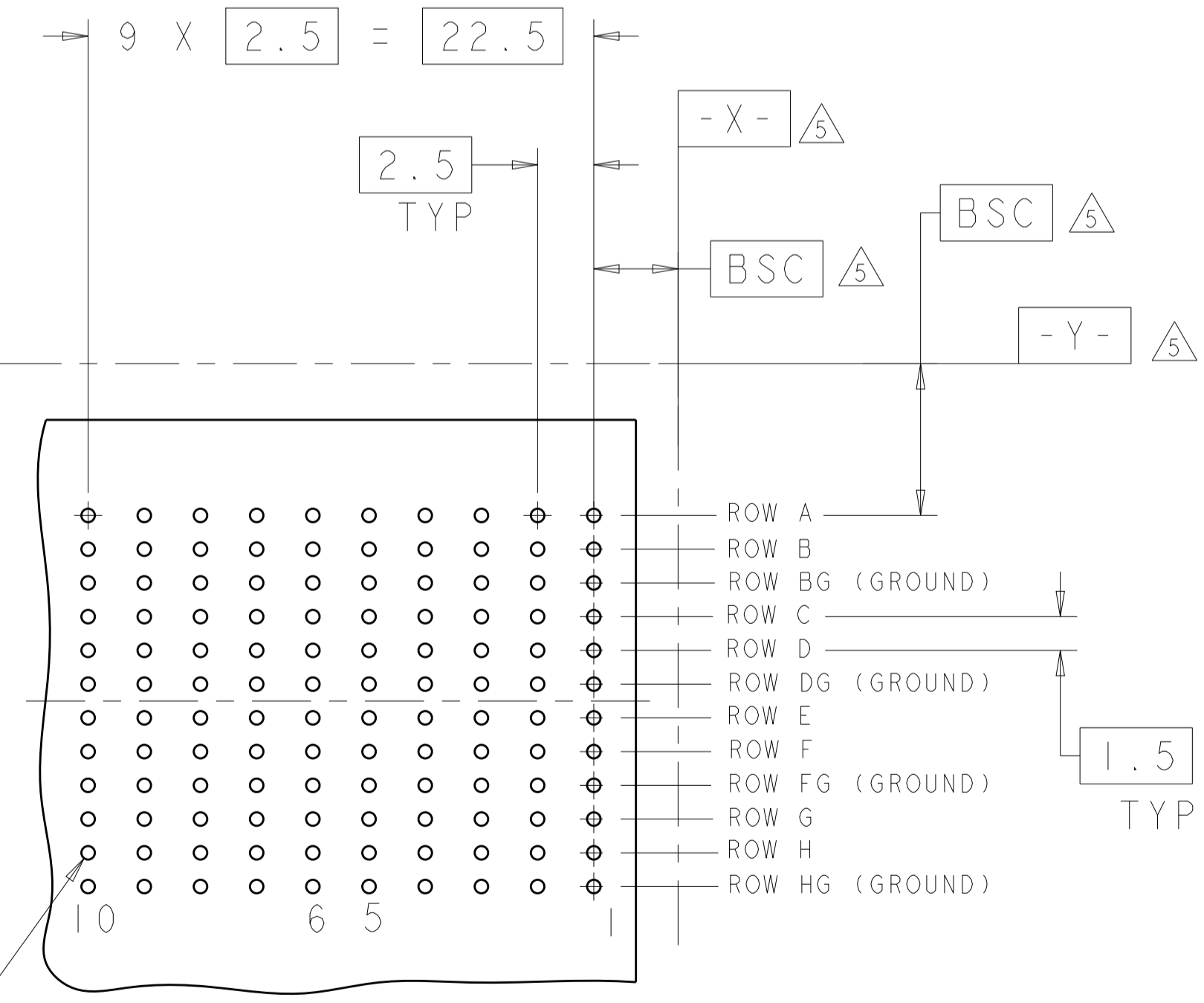
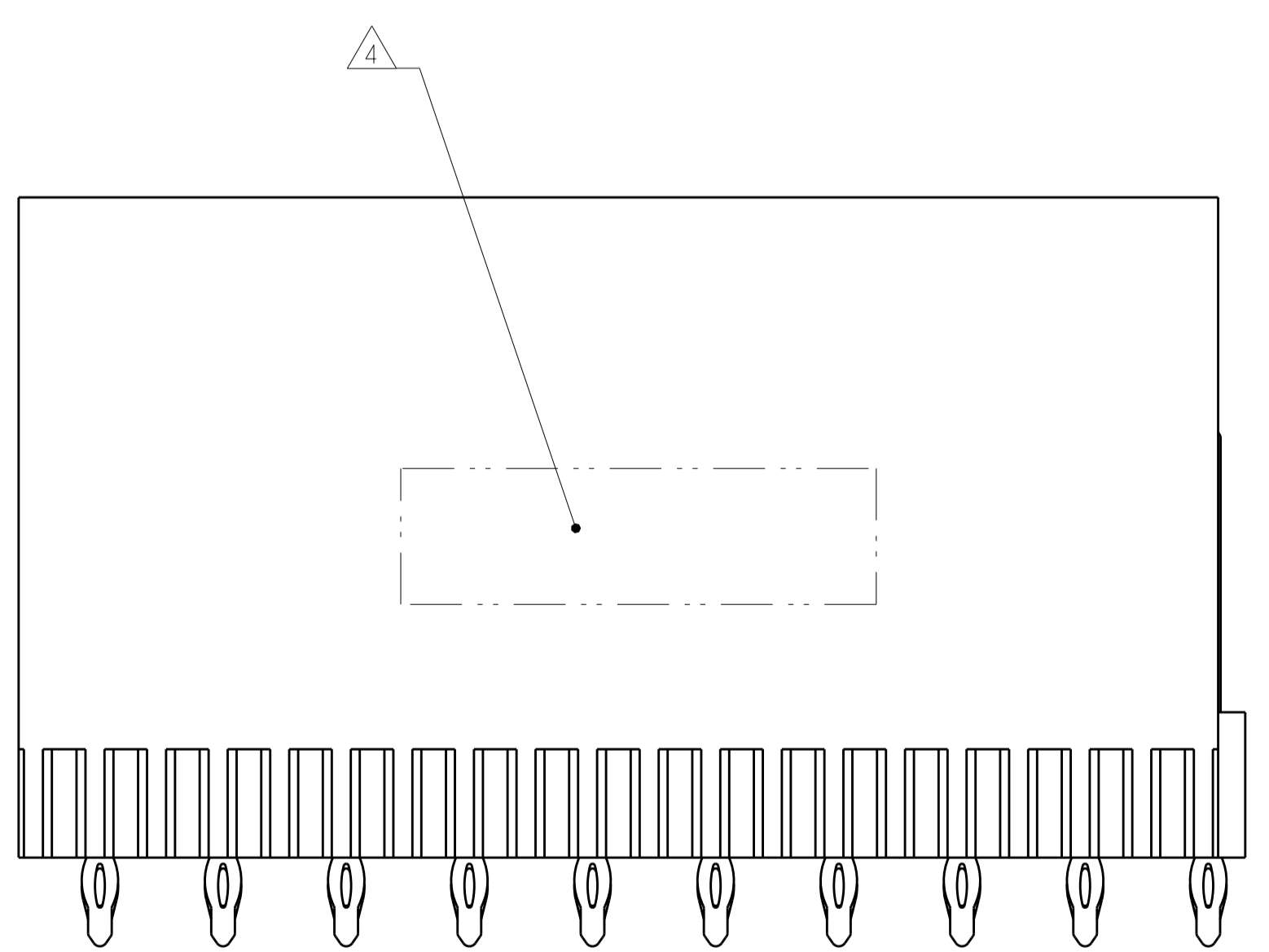
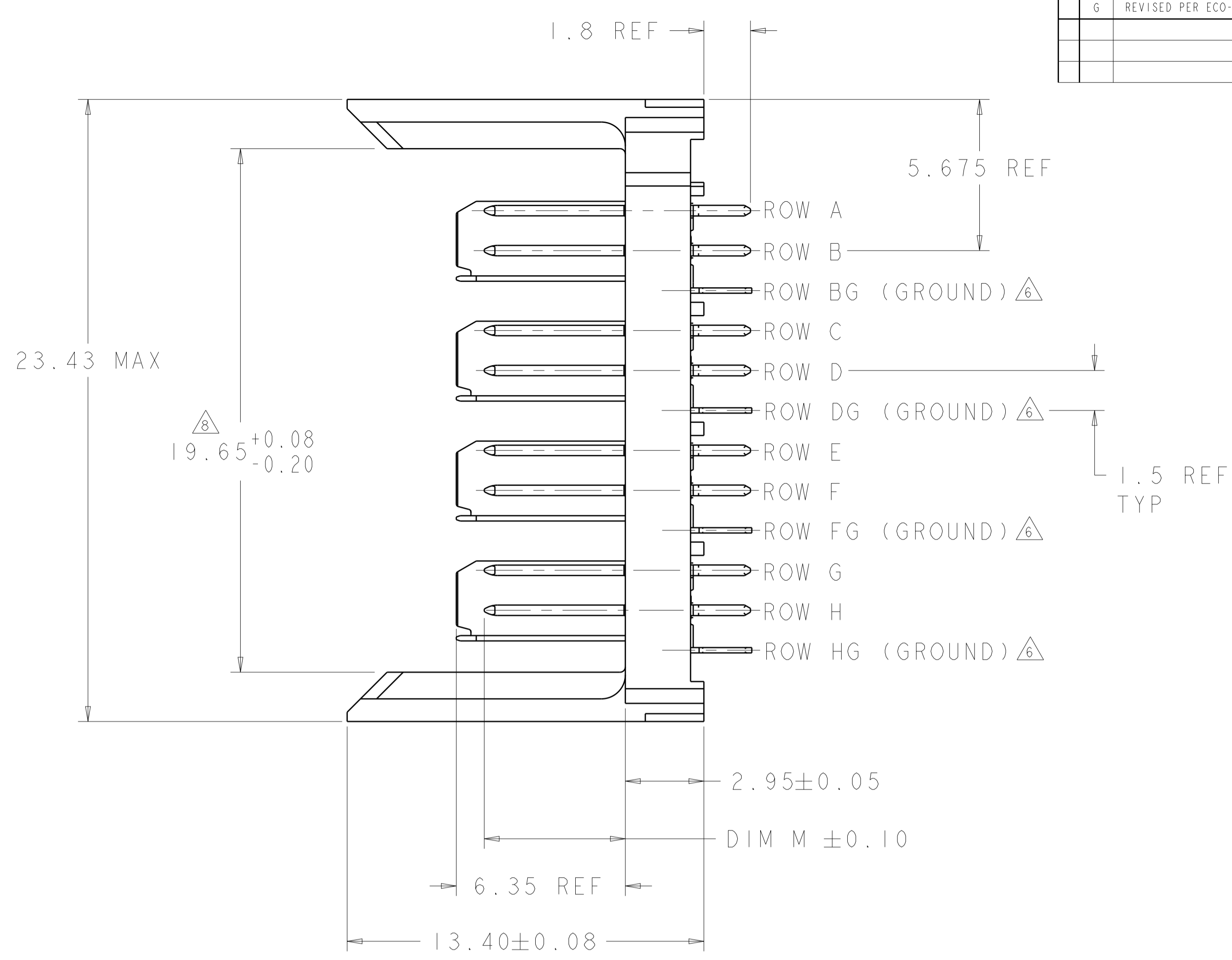
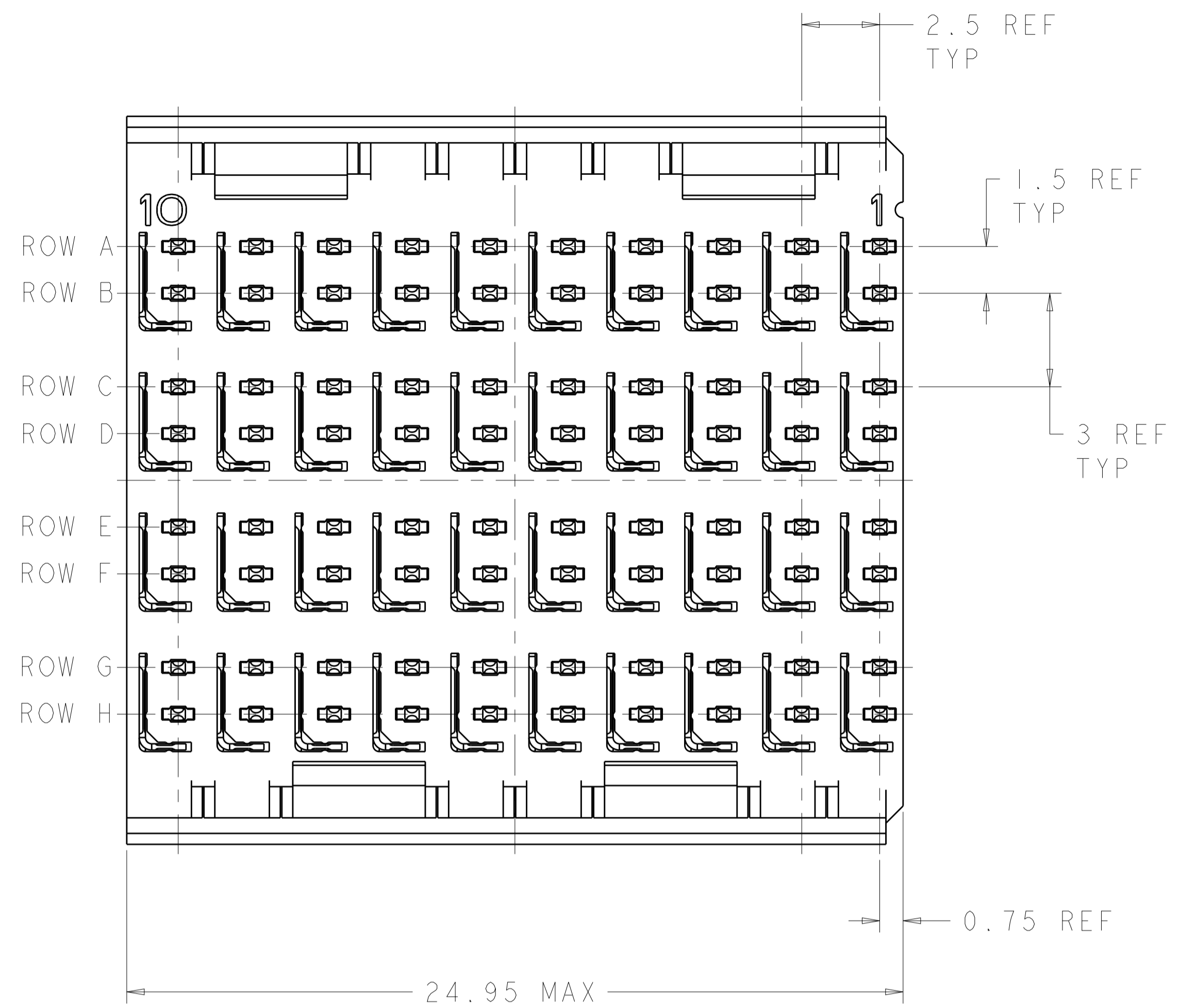


REVISIONS				
P.	LTN.	DESCRIPTION	DATE	APVD.
G		REVISED PER ECO-14-010016	02JUL2014	AP RP



⊕ Ø0.05 X Y
 ALL PLATED THRU HOLES

RECOMMENDED PC BOARD LAYOUT, BACKPLANE, COMPONENT SIDE SHOWN
 SCALE 4:1

- 1 REFERENCE APPLICATION SPEC 114-13059 FOR RECOMMENDED PLATED THRU HOLE DIAMETER AND PLATING THICKNESSES.
- 2 MATERIAL:
 CONTACT AND SHIELD - PHOSPHOR BRONZE
 HOUSING - GLASS FILLED POLYESTER. UL 94V-0.
- 3 FINISH: SIGNAL AND GROUND CONTACTS:
 MATING AREA: MEETS THE PERFORMANCE REQUIREMENTS OF PRODUCT SPECIFICATION 108-2055; BASED ON TELCORDIA GR-1217-CORE, APPLICATIONS IN UNCONTROLLED ENVIRONMENTS
 COMPLIANT PIN AREA: 0.5µm MIN BRIGHT TIN-LEAD OVER BASE PLATING
- 4 CONNECTOR MARKED WITH PART NUMBER AND DATE CODE.
- 5 DATUMS AND BASIC DIMENSIONS ESTABLISHED BY CUSTOMER.
- 6 THE FOUR GROUNDS IN EACH COLUMN ARE COMMONED.
- 7. CONTACT AREA LUBRICATED WITH BELLCORE APPROVED LUBRICANT. TECHNICAL REFERENCE: GR-1217-CORE, ISSUE 1, NOVEMBER 1995.
- 8 DIMENSION APPLIES TO FIRST AND LAST CIRCUITS.
- 9 OBSOLETE.

3.80	1469074-2
5.30	1469074-1
DIM M	PART NUMBER

THIS DRAWING IS A CONTROLLED DOCUMENT.		OWN S. MAGARO 27SEP01	TE Connectivity
DIMENSIONS: mm		CHK R. PATTERSON 16AUG2007	
TOLERANCES UNLESS OTHERWISE SPECIFIED:		APVD W. SCHROLL 27SEP01	NAME HEATER ASSEMBLY, 4 PAIR, 1.8mm TAIL, 25mm, HMZd
0 PLC	±	PRODUCT SPEC	SIZE CAGE CODE DRAWING NO
1 PLC	±	APPLICATION SPEC	RESTRICTED TO
2 PLC	±	WEIGHT	A100779C=1469074
3 PLC	±	Customer Drawing	SCALE 8:1 SHEET 1 OF 1 REV G
4 PLC	±		
ANGLES	±		
FINISH	±		