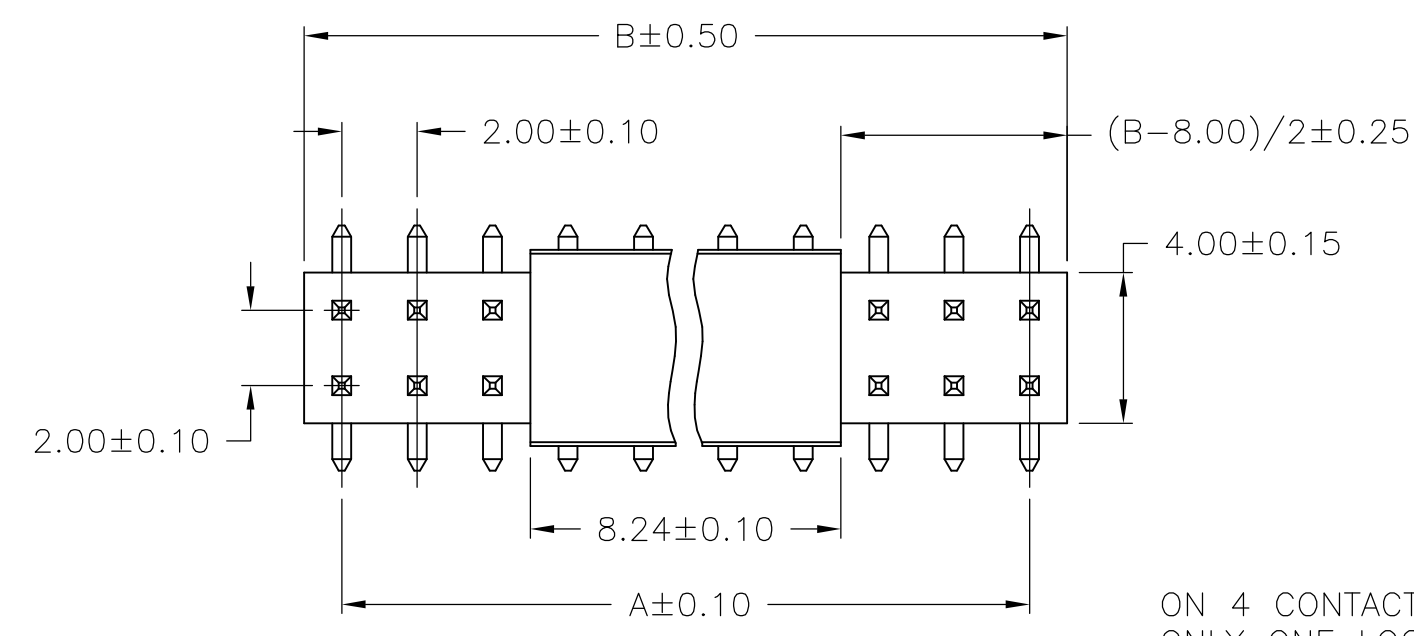


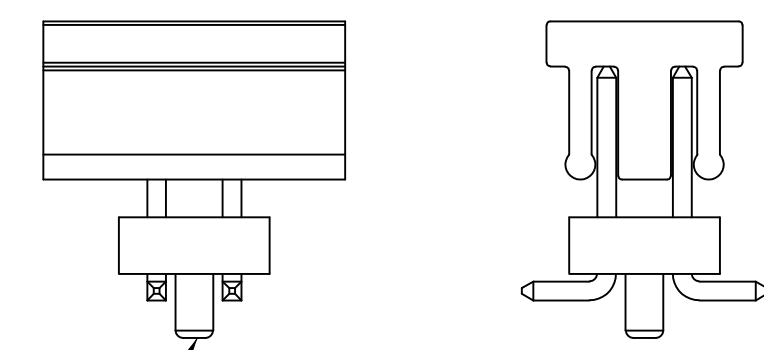
THIS DRAWING IS UNPUBLISHED. RELEASED FOR PUBLICATION  
 © COPYRIGHT BY TYCO ELECTRONICS CORPORATION. ALL INTERNATIONAL RIGHTS RESERVED.

LOC		DIST		REVISIONS			
P	LTR	DESCRIPTION	DATE	DWN	APVD		
B1		REVISED PER ECO-08-016279	09JUL08	HMR	NE		

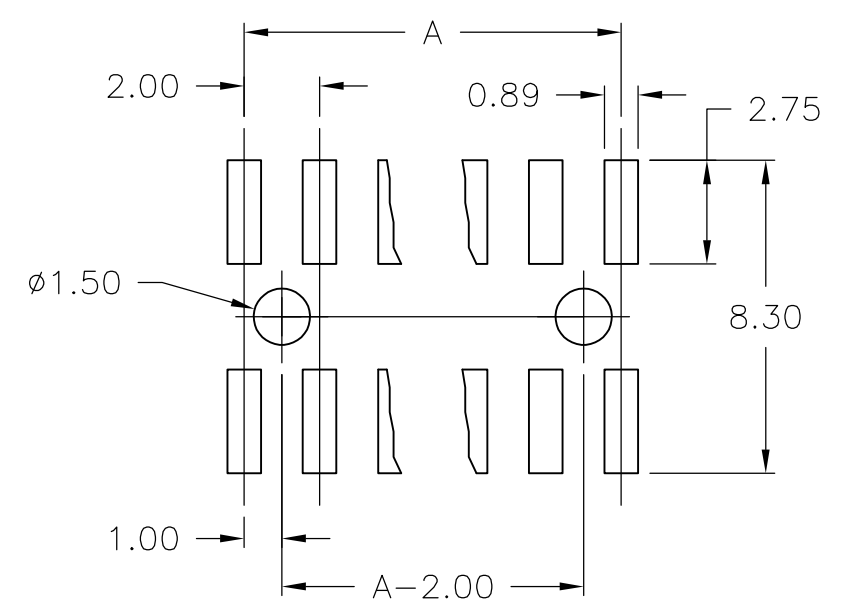
1 PACKAGED PER EIA-481 SPECIFICATION.



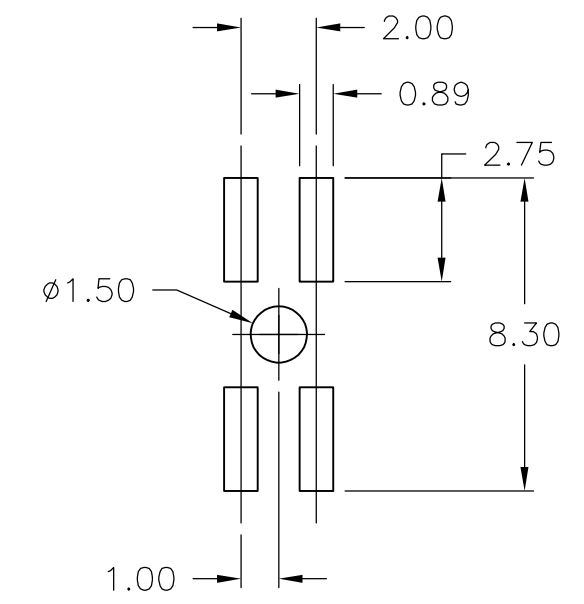
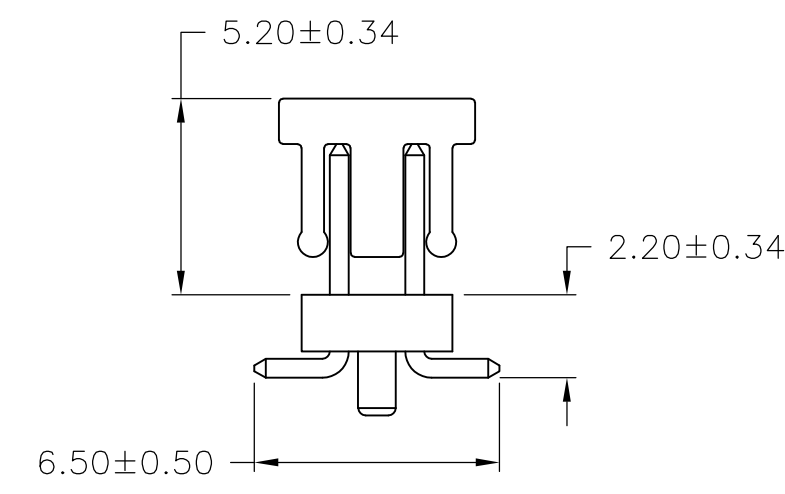
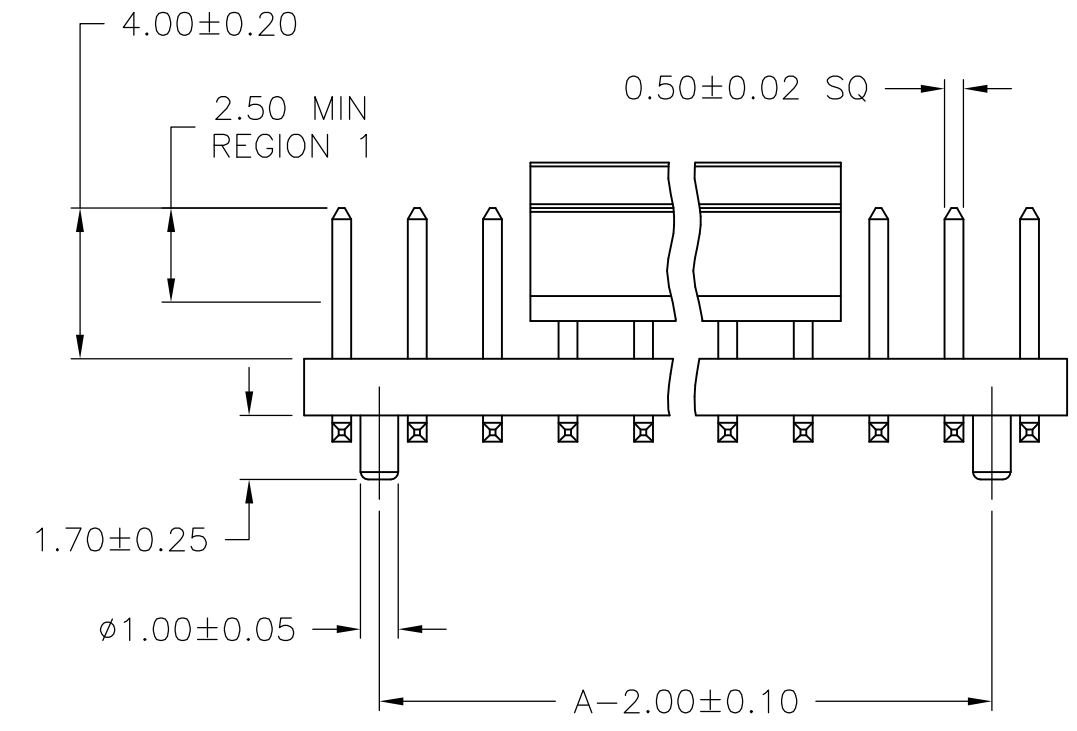
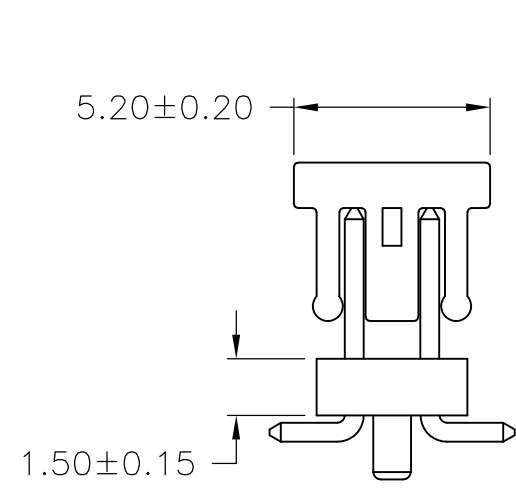
NOTE: ON POSITION SIZES 4 THRU 8, CAP LENGTH WILL BE ≥ TO PART LENGTH



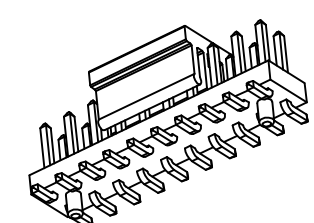
ON 4 CONTACT CONNECTOR ONLY ONE LOCATION PEG



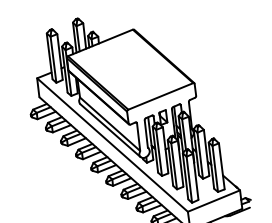
RECOMMENDED PCB LAYOUT  
6 TO 20 WAY CONNECTORS



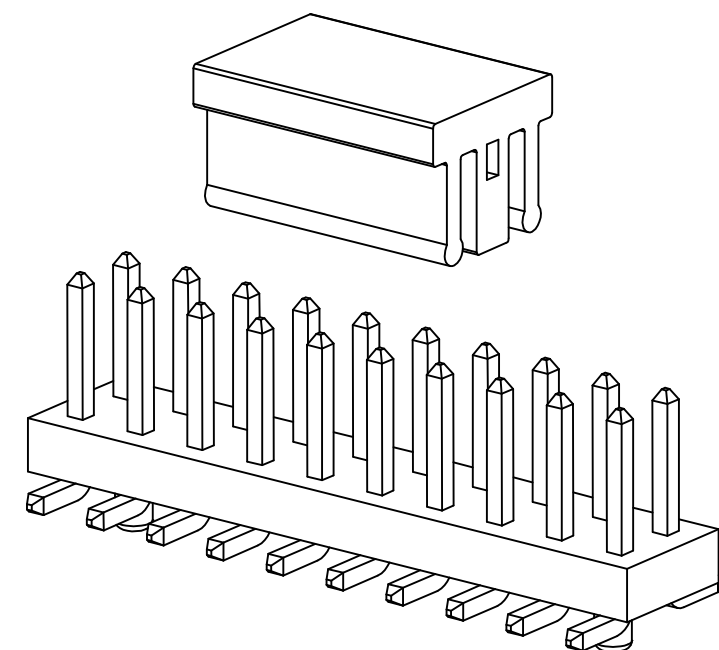
RECOMMENDED PCB LAYOUT  
4 WAY CONNECTORS



SCALE 2:1



SCALE 2:1



SCALE 5:1

20.00	18.00	44	1-1634700-0	20	SBTZ-20S3-E-040-1	1-1634701-0
14.00	12.00	24	1634700-7	14	SBTZ-14S3-E-040-1	1634701-7
12.00	10.00	24	1634700-6	12	SBTZ-12S3-E-040-1	1634701-6
8.00	6.00	24	1634700-4	8	SBTZ-08S3-E-040-1	1634701-4
6.00	4.00	24	1634700-3	6	SBTZ-06S3-E-040-1	1634701-3
4.00	2.00	24	1634700-2	4	SBTZ-04S3-E-040-1	1634701-2
DIM B	DIM A	POCKET TAPE WIDTH	CONNECTOR PART NUMBER	NO. OF CONTACTS	SUPPLIER PART NUMBER	PART NUMBER

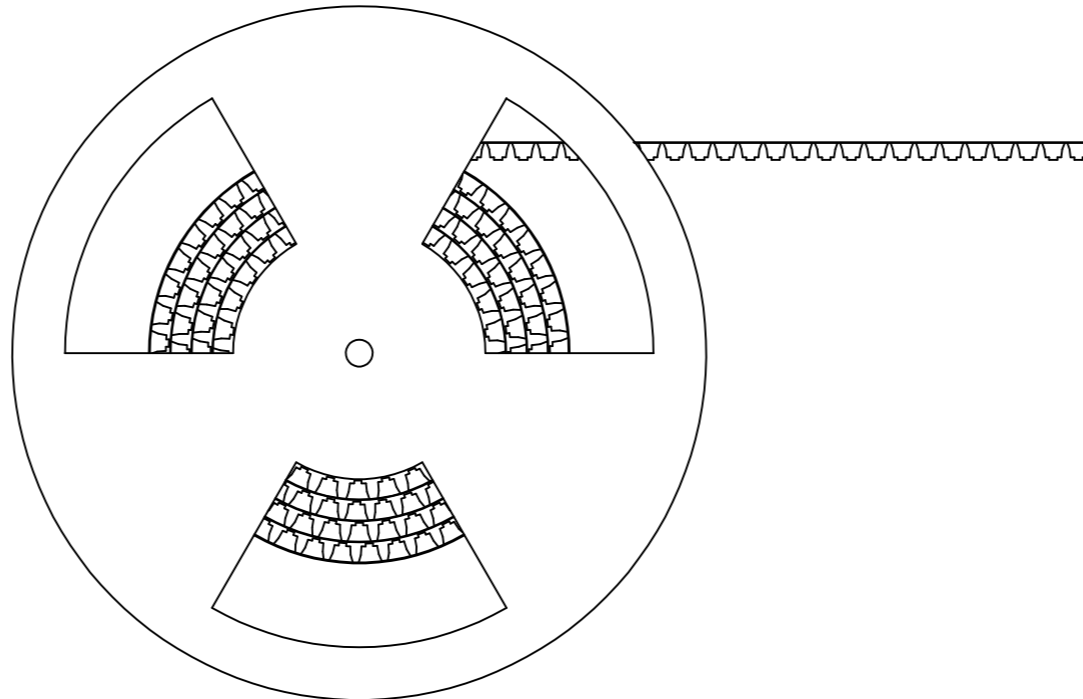
THIS DRAWING IS A CONTROLLED DOCUMENT.

DIMENSIONS: mm	TOLERANCES UNLESS OTHERWISE SPECIFIED:	DWN 09JUL08 RAGHAVENDRA	Tyco Electronics Corporation Harrisburg, PA 17105-3608
	0 PLC ± -	CHK 09JUL08 N EPPLEY	
	1 PLC ± -	APVD 09JUL08 N EPPLEY	
	2 PLC ± -	PRODUCT SPEC	
MATERIAL	FINISH	APPLICATION SPEC	NAME AMP MODU PIN VERT MOUNT SMC TAPE AND REEL WITH PEG
		WEIGHT	SIZE A2 CAGE CODE 00779 DRAWING NO. C=1634701 RESTRICTED TO
		CUSTOMER DRAWING	SCALE 5:1 SHEET 1 of 2 REV B1

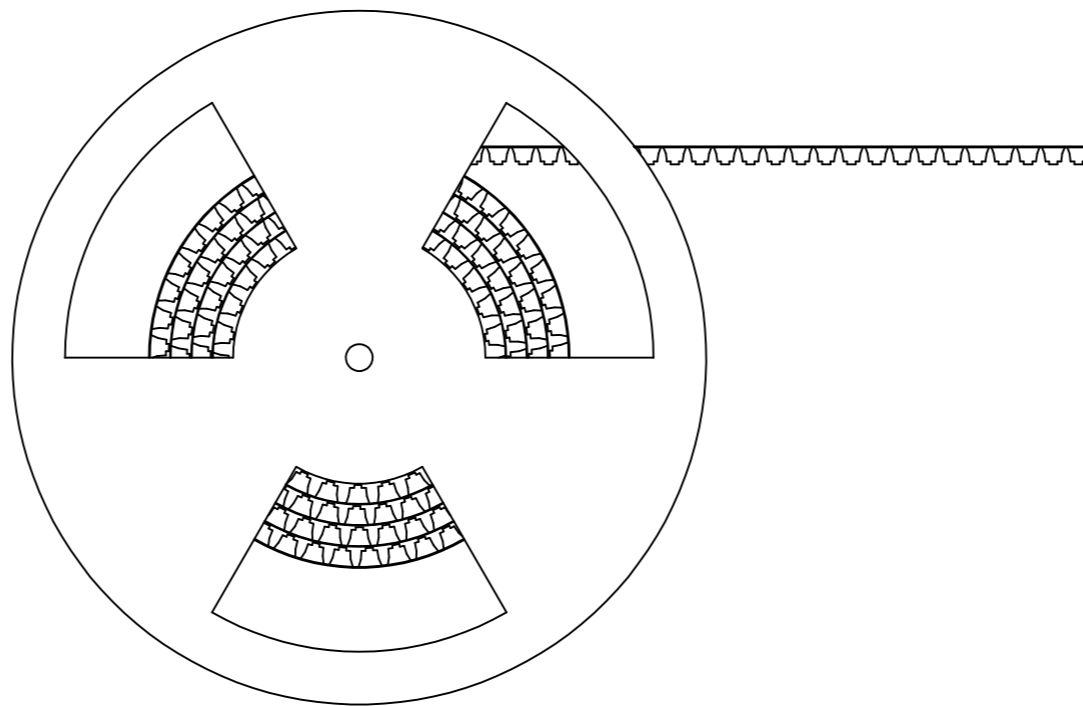
THIS DRAWING IS UNPUBLISHED. RELEASED FOR PUBLICATION  
 © COPYRIGHT BY TYCO ELECTRONICS CORPORATION. ALL INTERNATIONAL RIGHTS RESERVED.

LOC		DIST		REVISIONS			
P	LTR	DESCRIPTION	DATE	DWN	APVD		
-	-	SEE SHEET 1	-	-	-		

REELING ORIENTATION  
20 WAY CONNECTORS



REELING ORIENTATION  
4 TO 14 WAY CONNECTORS



THIS DRAWING IS A CONTROLLED DOCUMENT.		DWN	RAGHAVENDRA	09JUL08	Tyco Electronics Corporation Harrisburg, PA 17105-3608
DIMENSIONS: mm		CHK	N EPPLEY	09JUL08	
TOLERANCES UNLESS OTHERWISE SPECIFIED:		APVD	N EPPLEY	09JUL08	
0 PLC ± - 1 PLC ± - 2 PLC ± - 3 PLC ± - 4 PLC ± - ANGLES ± -		PRODUCT SPEC	NAME		
MATERIAL		APPLICATION SPEC		AMP MODU PIN VERT MOUNT SMC TAPE AND REEL WITH PEG	
FINISH		WEIGHT	A2 00779 C=1634701		RESTRICTED TO
		CUSTOMER DRAWING		SCALE 5:1	SHEET 2 OF 2
				REV B1	

1634701