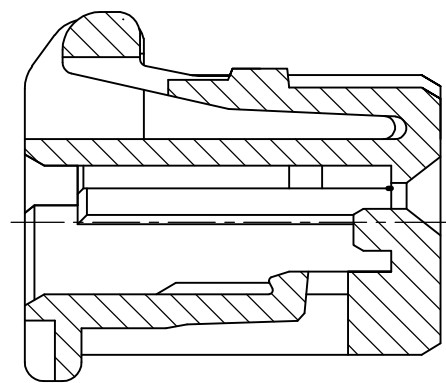
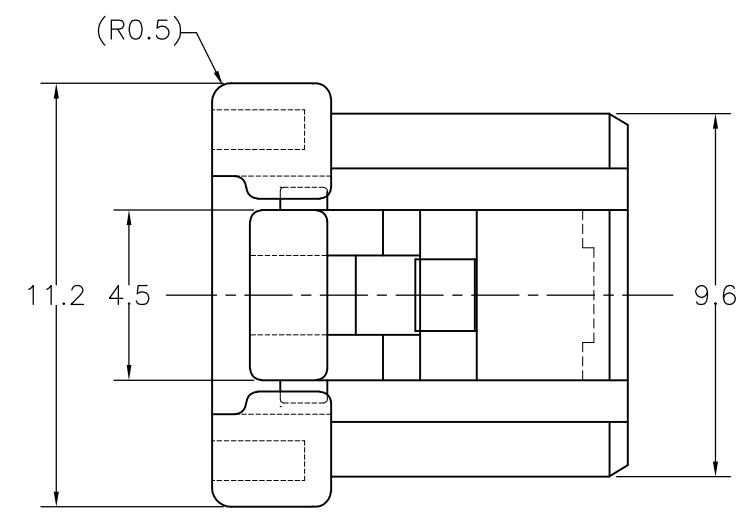


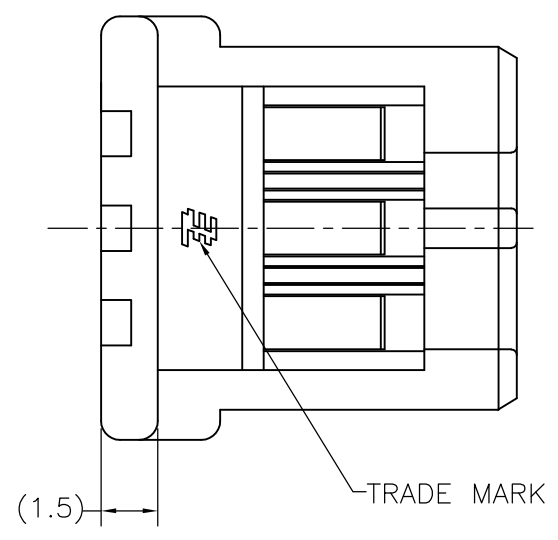
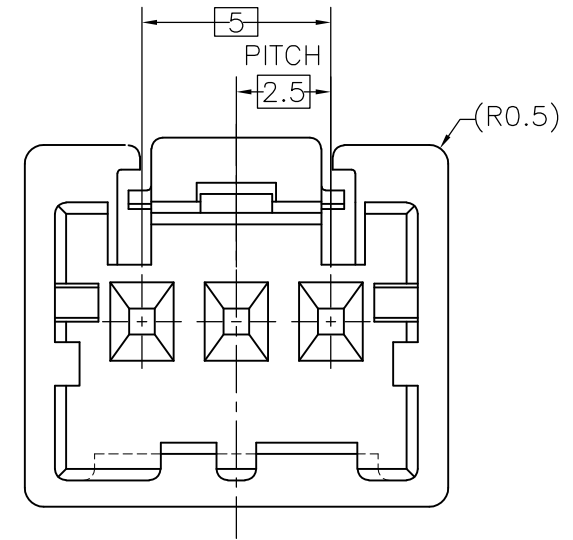
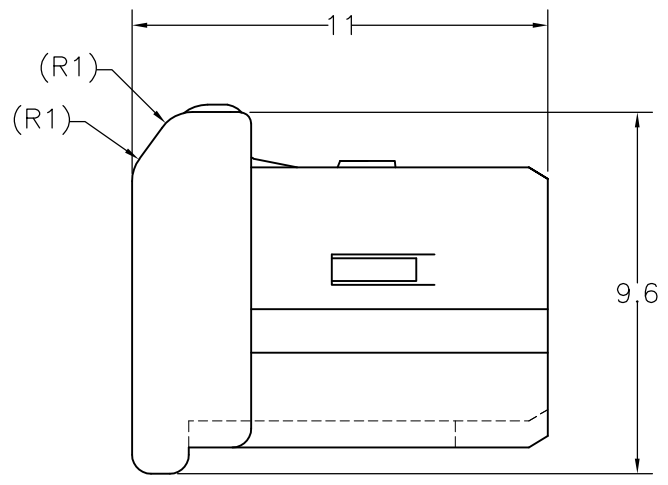
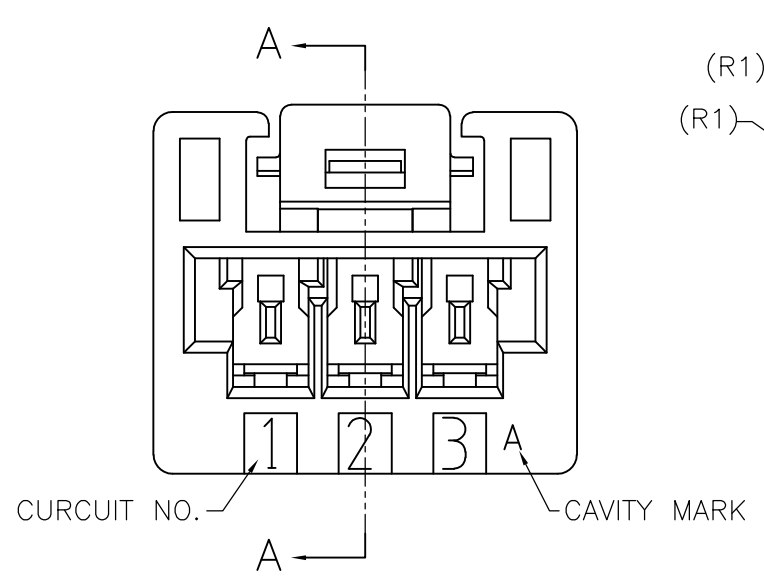
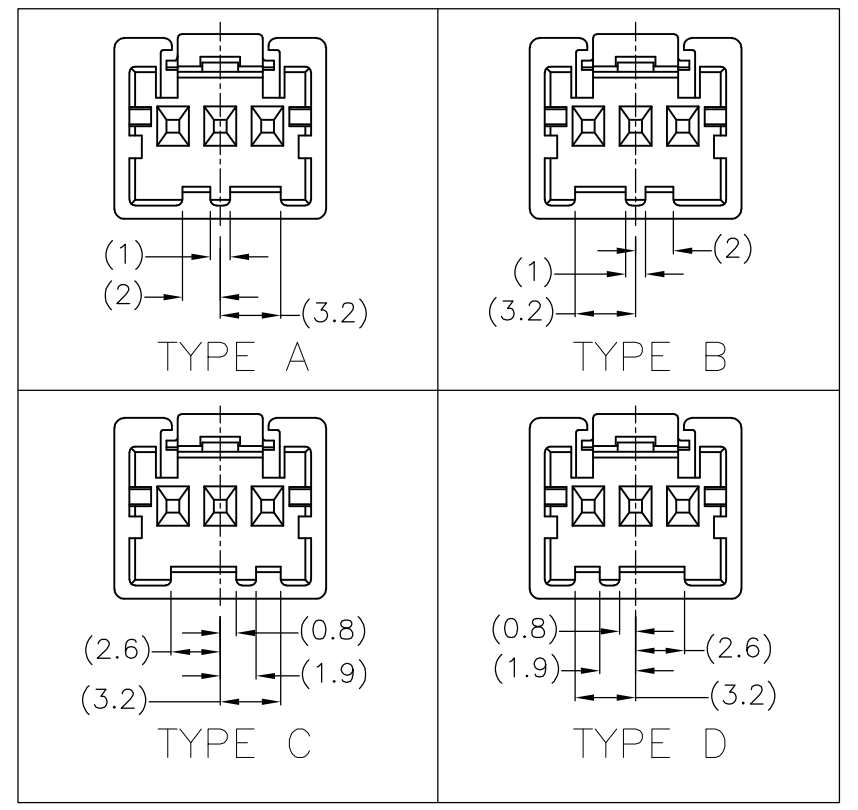
THIS DRAWING IS UNPUBLISHED. RELEASED FOR PUBLICATION
 © COPYRIGHT BY TYCO ELECTRONICS CORPORATION. ALL RIGHTS RESERVED.

LOC	DIST	REVISIONS					
J	—	P	LTR	DESCRIPTION	DATE	DWN	APVD
			B1	REVISED PER ECR-10-019980	04OCT10	HMR	TM



断面 A-A
SECT A-A

TYPE OF KEYING



注記
 1. 一般公差: ±0.3
 △ 材料PBTガラス強化 (UL94V-0)
 △ かん合相手製品型番
 キャップハウジング: TABLE参照のこと
 リセコンタクト: 917683, 917684

NOTE
 1. GENERAL TOLERANCE: ±0.3
 △ MATERIAL: PBT GLASS FILLED (UL94V-0)
 △ MATING CONN.P/N
 CAP HOUSING: SEE TABLE
 REC CONTACT: 917683, 917684

3-1903392-4	TYPE D	YELLOW 黄色	3-1903389-4
2-1903392-3	TYPE C	BLUE 青色	2-1903389-3
1-1903392-2	TYPE B	RED 赤色	1-1903389-2
1903392-1	TYPE A	NATURAL 自然色	1903389-1
△ かん合相手型番 MATING HSG P/N	キーイング形状 TYPE OF KEYING	色調 COLOR	型番 PART NUMBER

THIS DRAWING IS A CONTROLLED DOCUMENT.		DWN J.SATO 01NOV05	Tyco Electronics AMP K.K. Kawasaki, Japan													
DIMENSIONS: 単位: 耗 mm		CHK T.HATANO 01NOV05														
TOLERANCES UNLESS OTHERWISE SPECIFIED: 一般公差		APVD N.YAMASAKI 01NOV05	NAME 名称 GRACE INERTIA CONNECTOR 2.5 W PLUG HOUSING 3P													
<table border="1"> <tr><td>0 PLC</td><td>±</td></tr> <tr><td>1 PLC</td><td>±</td></tr> <tr><td>2 PLC</td><td>±</td></tr> <tr><td>3 PLC</td><td>±</td></tr> <tr><td>4 PLC</td><td>±</td></tr> <tr><td>ANGLES</td><td>±</td></tr> </table>		0 PLC	±	1 PLC	±	2 PLC	±	3 PLC	±	4 PLC	±	ANGLES	±	PRODUCT SPEC 製品規格 108-78350	DRAWING NO 番号 G-1903389	
0 PLC	±															
1 PLC	±															
2 PLC	±															
3 PLC	±															
4 PLC	±															
ANGLES	±															
MATERIAL 材料 SEE NOTE △		FINISH 仕上	APPLICATION SPEC 取付適用規格	RESTRICTED TO												
		WEIGHT	SIZE A3	CAGE CODE 00779												
			SCALE 尺度 5:1													
			SHEET 1 OF 1													
			REV B1													