

THIS DRAWING IS UNPUBLISHED. RELEASED FOR PUBLICATION 20
 © COPYRIGHT 20 BY TYCO ELECTRONICS CORPORATION. ALL RIGHTS RESERVED.

LOC	REV	P	LTR	DESCRIPTION	DATE	DWN	APVD
J	X			REVISIONS 変更			
		D		REVISED	ECR-09-002844	03JUL09	RN SK

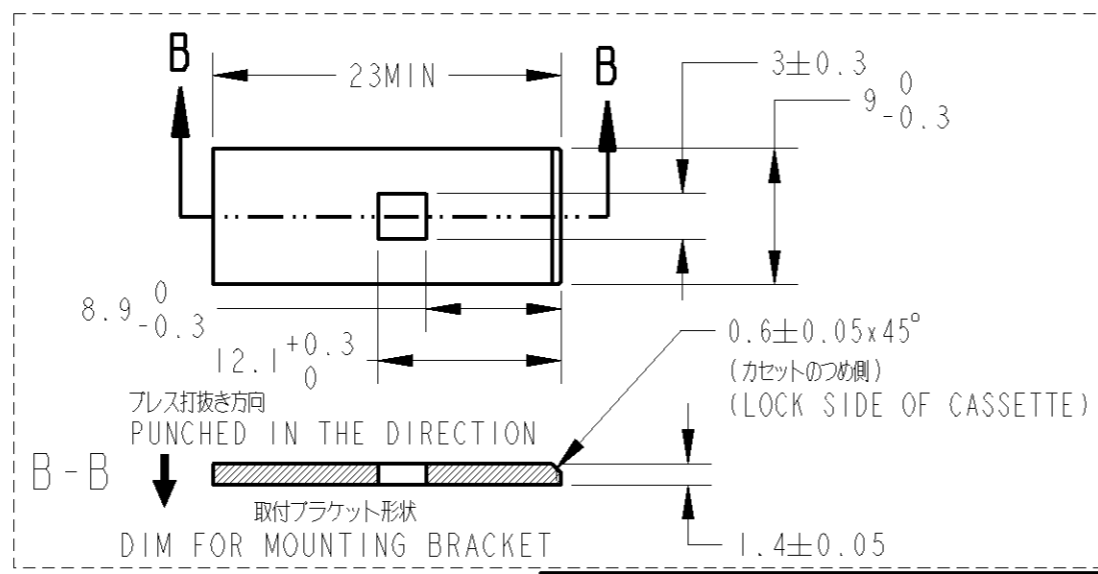
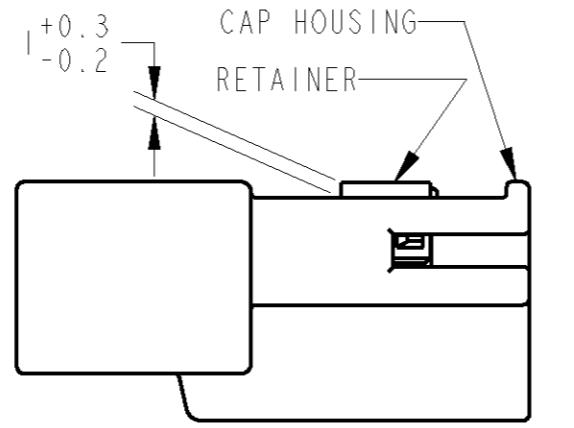
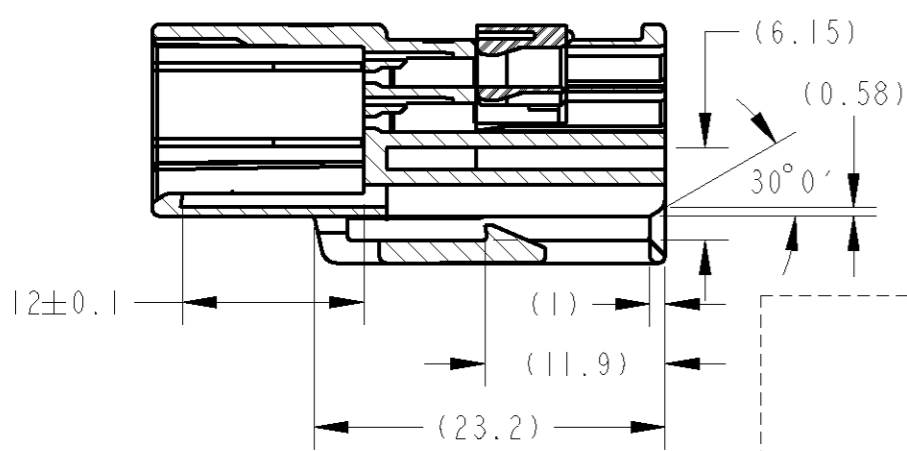
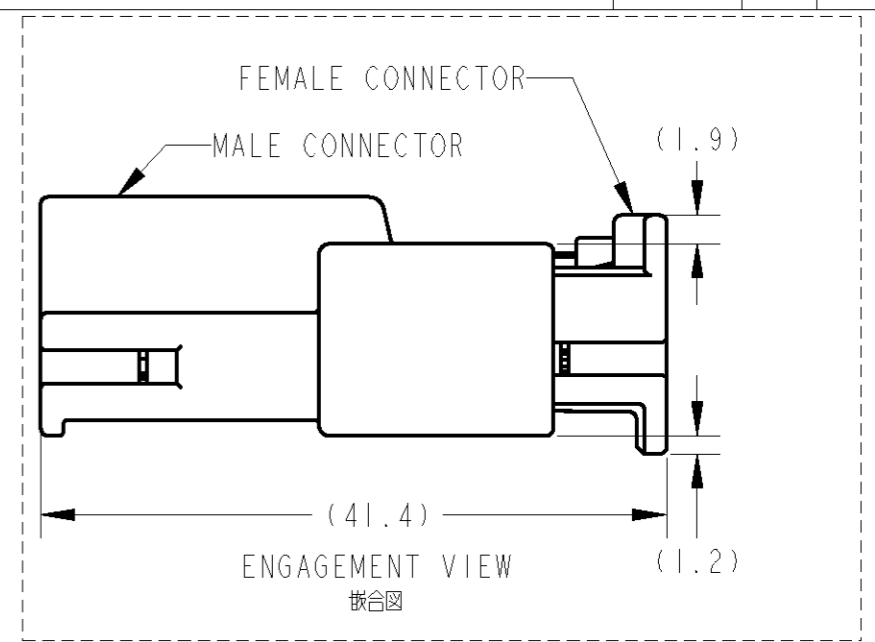
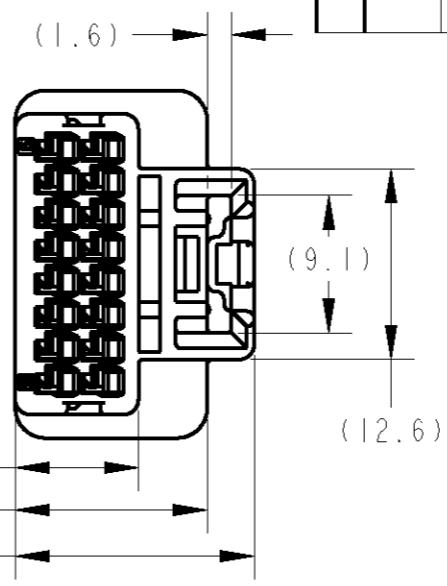
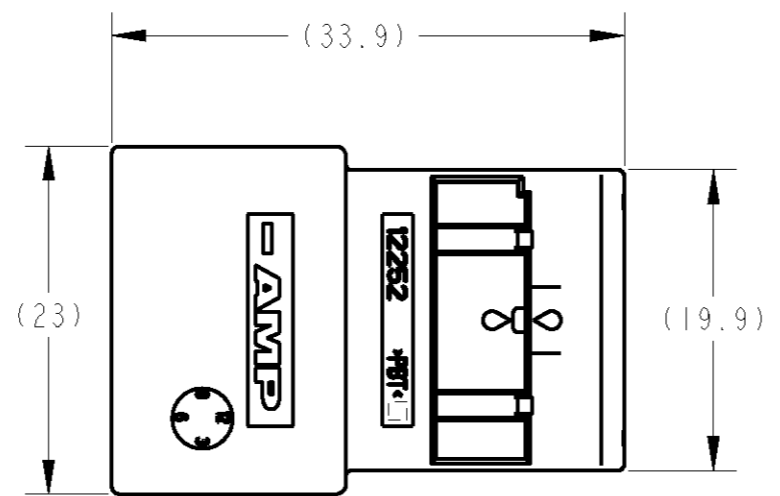
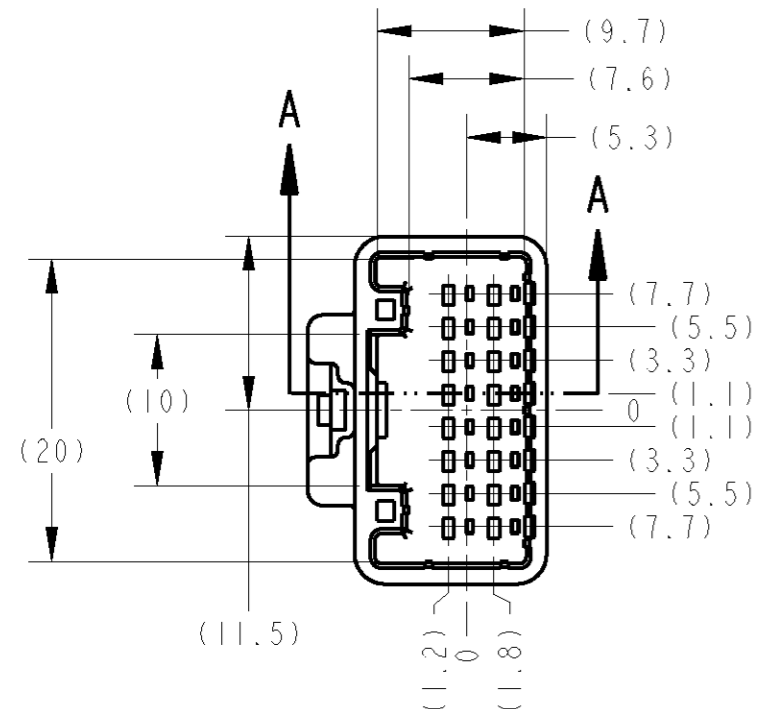


TABLE-1

POS 極数	FEMALE CONNECTOR PART NO メスコネクタ 型番
16	1318386

TABLE-2

		TERMINAL NO 適用型番	APPLICABLE WIRE RANGE 適用電線
SIGNAL 025	TIN	1376109-1	CAVS 0.3~0.5mm ² AVSS/CAVUS/AVSSH-f 0.3~0.5mm ²
PAPER BOX ダンボール	PLASTIC BAG ビニール袋	NATURAL	1473203-1
OUTER 外装	INNER 内装	COLOR	PART NUMBER
PACKING STYLE 梱包形態			

1. プラグハウジングにダブルロックプレートを仮係止して出荷される。
2. 仮係止時プレート突起がハウジングの外側に出ていること。
3. 嵌合相手型番はTABLE-1参照
4. 適用端子はTABLE-2参照
5. 取扱説明書 ; 411-5966

1. PLATE SHOULD BE SET TO THE PRE-ASSEMBLY POSITION WITHIN THE PLUG HOUSING WHEN SHIPPED TO THE CUSTOMER.
2. THE RETENTION LATCH OF THE PLATE MUST BE OUT SIDE OF PLUG HOUSING WHEN PRE-ASSEMBLY.
3. PART NUMBER OF CAP HOUSING TO BE MATED;SEE TABLE-1
4. APPLIED TERMINAL;SEE TABLE-2
5. INSTRUCTION SHEET NO ; 411-5966

THIS DRAWING IS A CONTROLLED DOCUMENT FOR TYCO ELECTRONICS CORPORATION IT IS SUBJECT TO CHANGE AND THE CONTROLLING ENGINEERING ORGANIZATION SHOULD BE CONTACTED FOR THE LATEST REVISION.

DIMENSIONS: 単位: 概 mm	TOLERANCES UNLESS OTHERWISE SPECIFIED: 一般公差 : ±0.3	DWN Y. NOGUCHI 24JAN2001	Tyco Electronics AMP K.K. Kawasaki, Japan
	0 PLC ± 1 PLC ±0.5 2 PLC ±0.13 3 PLC ±0.013 4 PLC ±0.001 ANGLES ±3'00"	CHK T. KOHNO 24JAN2001	
MATERIAL 材料 PBT	FINISH 仕上 SEE TABLE	APVD N. SAI 24JAN2001	NAME 名称 025 W-W 16POS OPPOSITE LOCK ENGAGED VIEW
		PRODUCT SPEC 製品規格 108-5668	SIZE A3
		APPLICATION SPEC 取付適用規格 114-5291	CAGE CODE 00779
		WEIGHT 5.5 g	DRAWING NO C=1473203
CUSTOMER DRAWING		SCALE 尺度 2:1	RESTRICTED TO -
		SHEET 1	OF 1
		REV D	