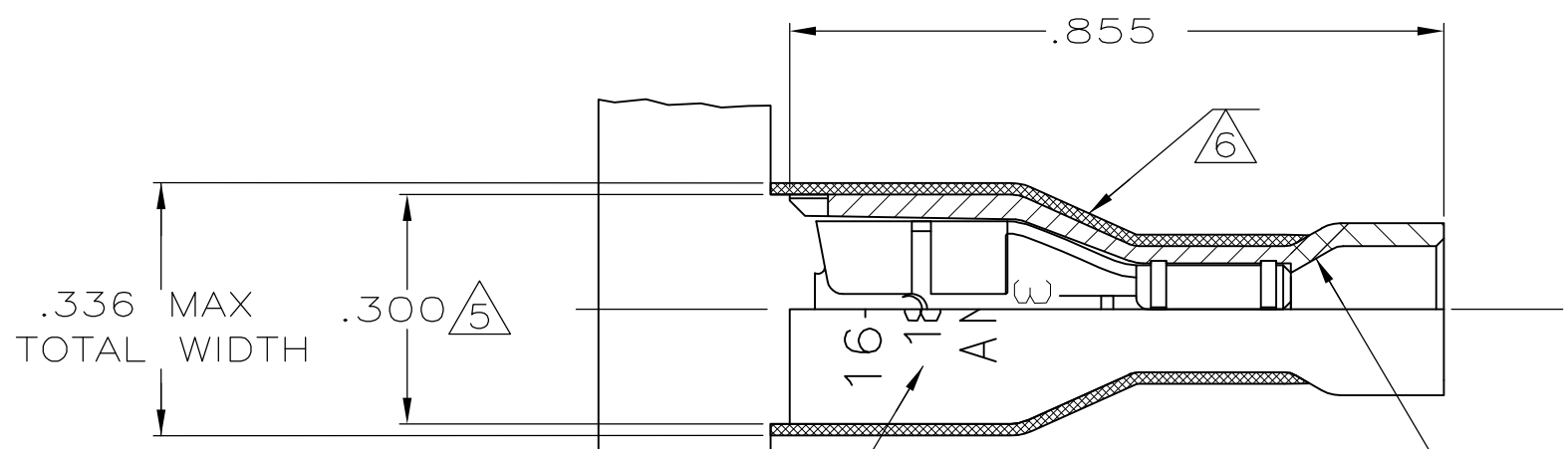
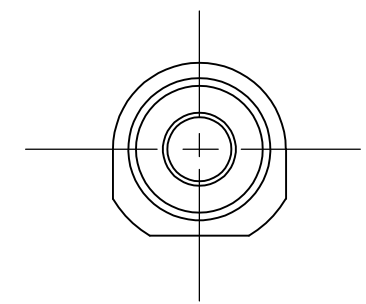
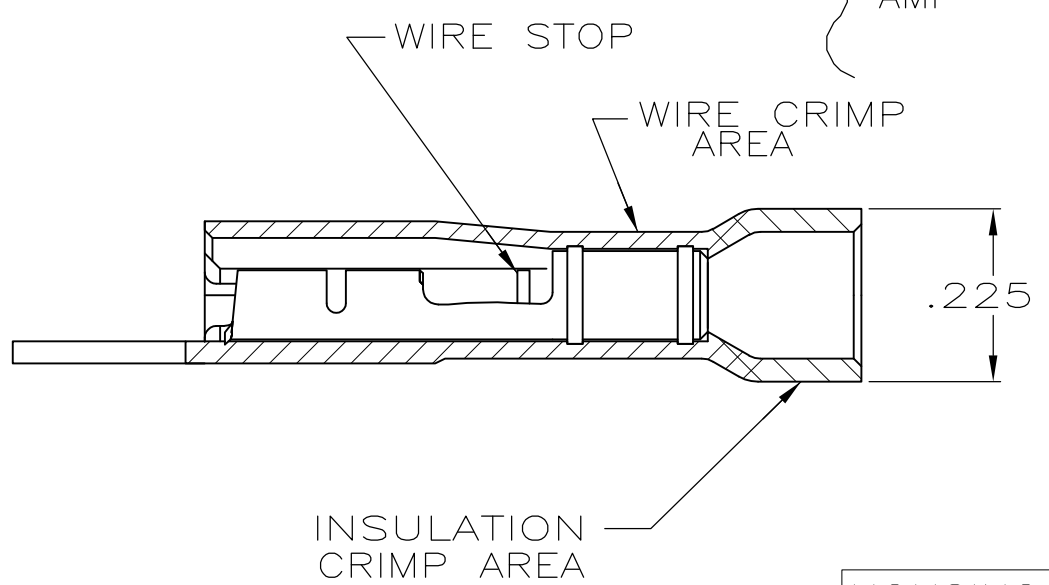
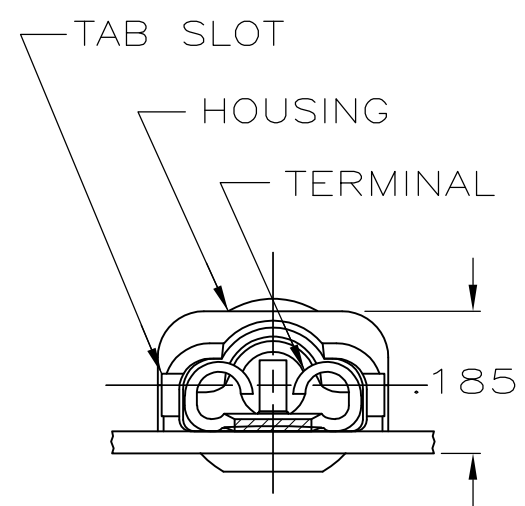


THIS DRAWING IS UNPUBLISHED. RELEASED FOR PUBLICATION
 © COPYRIGHT - By - ALL RIGHTS RESERVED.

LOC	DIST	REVISIONS			
P	LTR	DESCRIPTION	DATE	DWN	APVD
AF	50	K	REVISED PER ECR-12-005303	23JUL12	KH KR



- 1 MATES WITH .032±.001x.187 TAB
- 2 WIRE STRIP LENGTH .281
- 3 INSULATION SIZE .090-.160 DIA
- 4 CONTINUOUS STRIP ON REELS
- △5 DIMENSION DOES NOT INCLUDE TRIM BURR
- △6 .015 MAX CARRIER TRIM BURR PER SIDE IS ALLOWABLE IN THE SHADED AREA



HOUSING: NYLON, COLOR-BLUE TRANSLUCENT	3-520404-2
RECEPTACLE: #3 HARD BRASS TIN	
MATERIAL & FINISH	PART NO

THIS DRAWING IS A CONTROLLED DOCUMENT.		DWN P FORTNEY 11/2/88	TE Connectivity RECEPTACLE ASSY, ULTRA-FAST PLUS, .187 SERIES, 16-14 AWG		
DIMENSIONS: INCHES		CHK MS FEHER 11/2/88			
TOLERANCES UNLESS OTHERWISE SPECIFIED:		APVD K RANDOLH 11/2/88			
0 PLC ± - 1 PLC ± - 2 PLC ± - 3 PLC ± .015 4 PLC ± - ANGLES ± -		NAME			
MATERIAL SEE TABLE		FINISH SEE TABLE	PRODUCT SPEC 108-2044	APPLICATION SPEC 114-2123	RESTRICTED TO
			WEIGHT -	SIZE A3	CAGE CODE 00779
			DRAWING NO C-520404		SCALE 4:1
			CUSTOMER DRAWING		SHEET 1 OF 1
					REV K