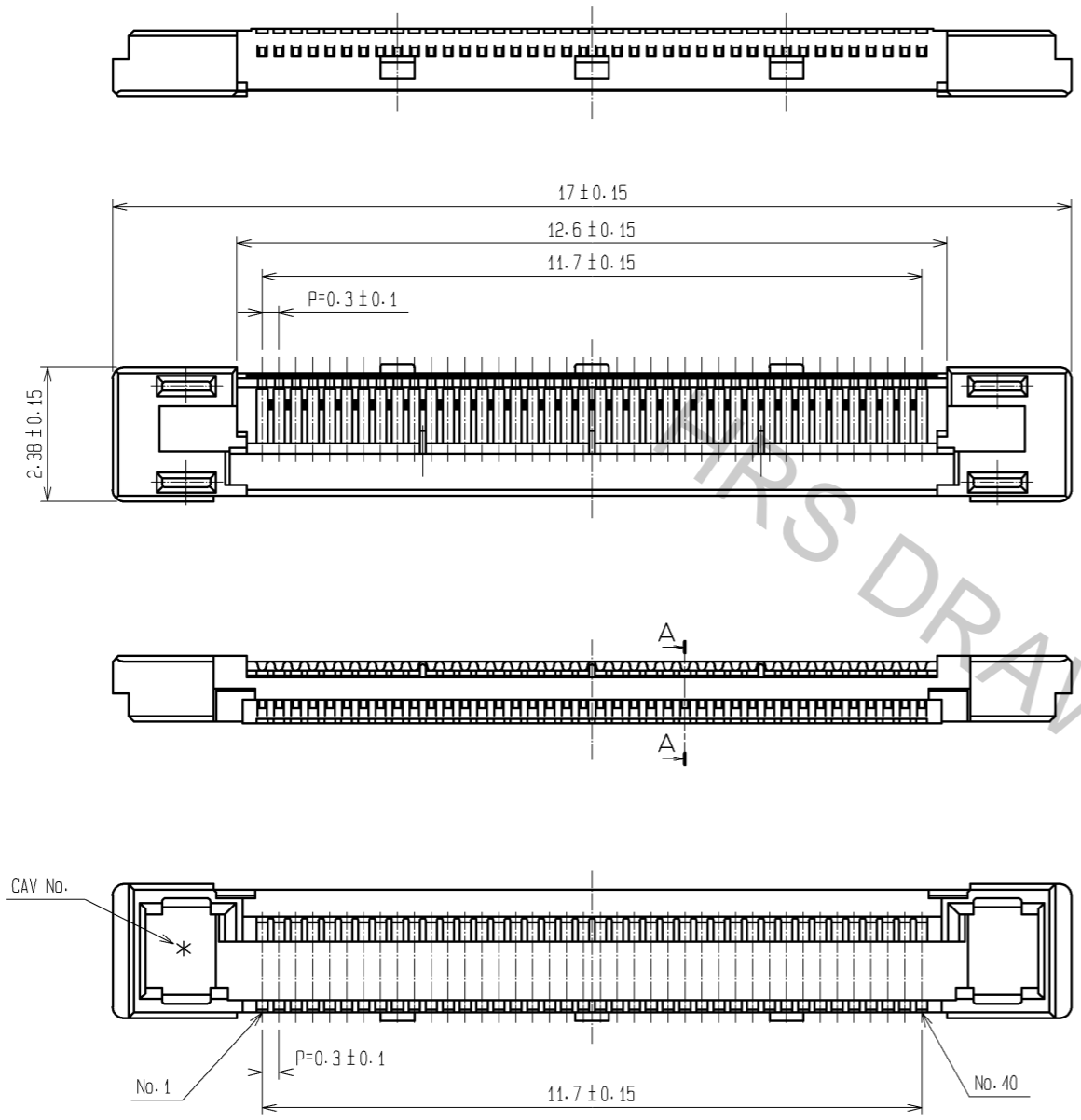
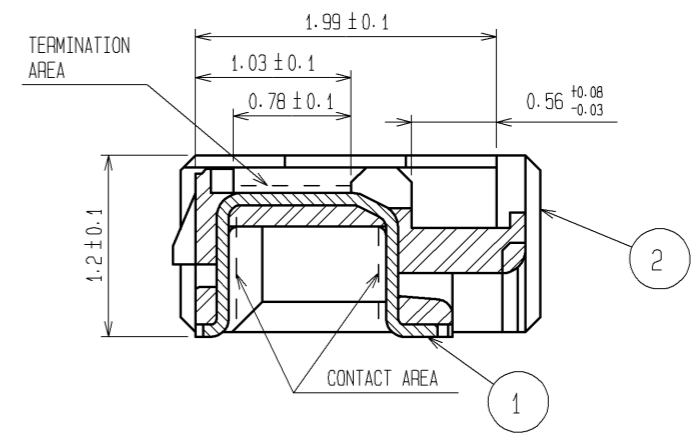


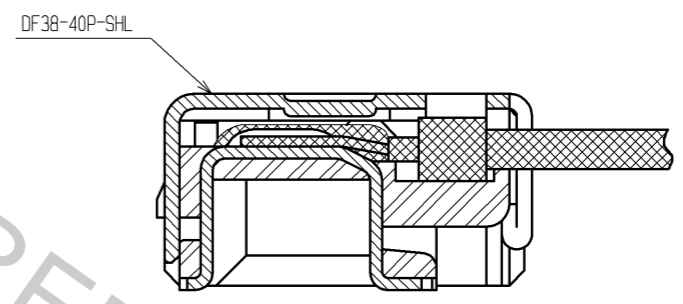
Apr.1.2017 Copyright 2017 HIROSE ELECTRIC CO., LTD. All Rights Reserved.



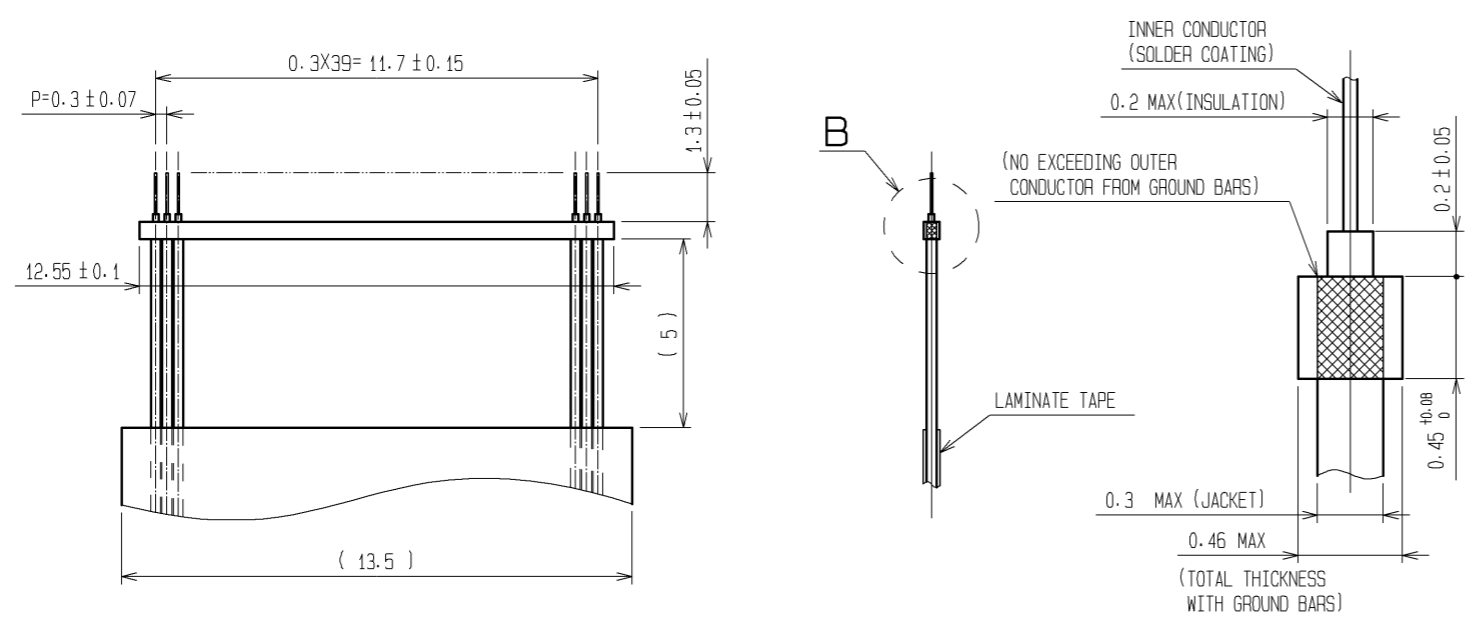
A-A (20:1)



CABLE TERMINATION FIGURE (20:1)



RECOMMENDED CABLE SUBASSEMBLY



NOTES 1. APPLICABLE CABLE: THIN COAXIAL CABLE (AWG#42~AWG#46)  
 2. THIS CONNECTOR IS NOT HOT PLUGGABLE. MATE AND UNMATE WHILE THE POWER IS OFF.  
 3. THE ASSEMBLY IS COMPLETED BY COMBINING TWO PARTS [CONNECTOR UNIT, AND METAL SHIELDING]. REFER TO THE TABLE FOR EACH ITEM No., PART NAME, PART No AND CODE No.

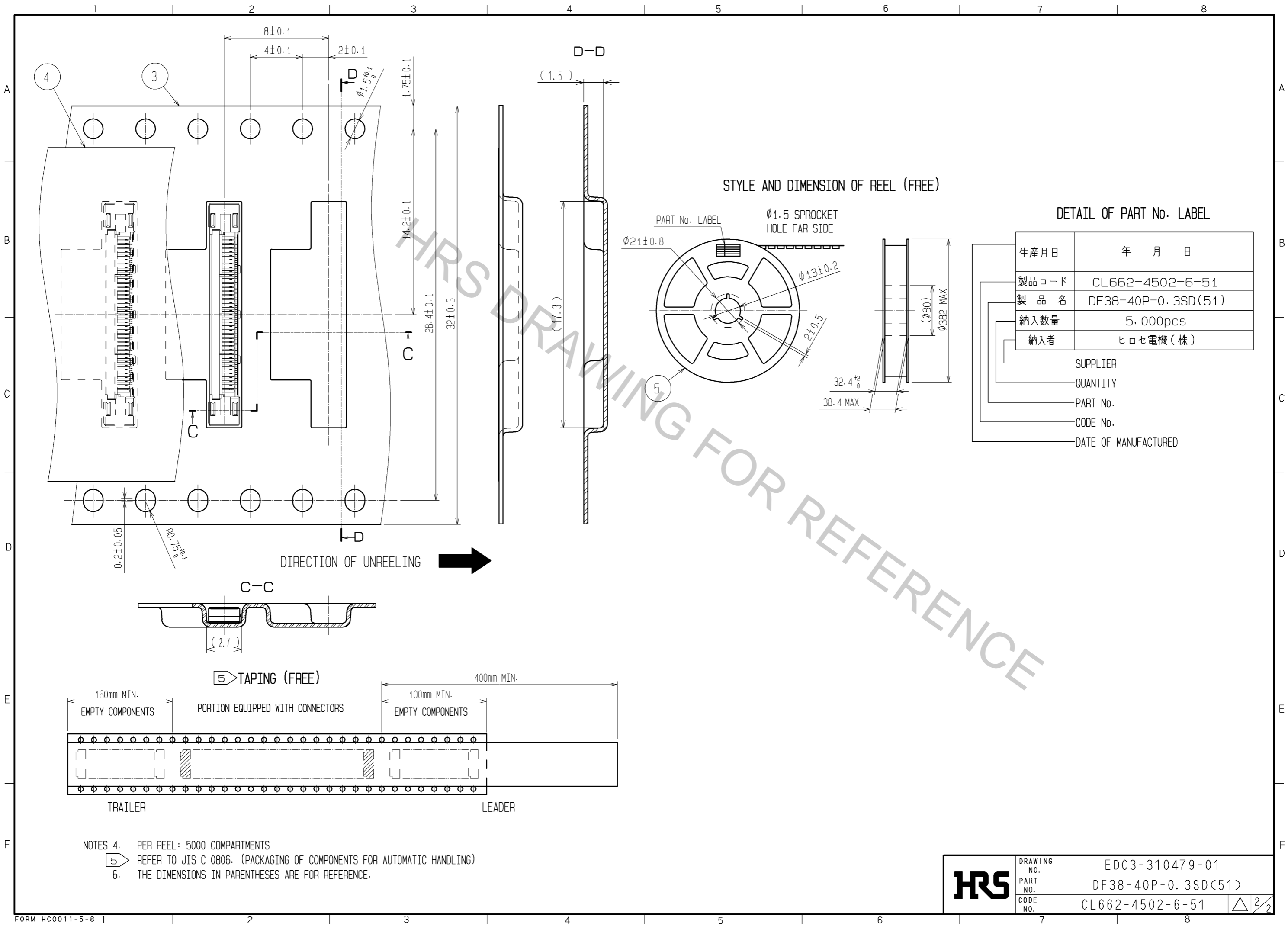
ITEM No.	PART NAME	PART No.	CODE No.
1,2	CONNECTOR UNIT	DF38-40P-0.3SD(51)	CL662-4502-6-51
-	METAL SHIELDING	DF38-40P-SHL	CL662-4503-9

NO.	MATERIAL	FINISH	REMARKS	NO.	MATERIAL	FINISH	REMARKS
2	LCP		UL94V-0, BLACK	5	PS		BLACK
1	PHOSPHOR BRONZE	CONTACT AREA	Au PLATING 0.1µm min	4	POLYESTER		CLEAR
		TERMINATION AREA	Au PLATING 0.1µm min	3	PS		CLEAR
		UNDER PLATING	Ni PLATING 1µm min				

UNITS	SCALE	COUNT	DESCRIPTION OF REVISIONS	DESIGNED	CHECKED	DATE
mm	FREE	△				
APPROVED : TS. SAKATA			13.07.12	DRAWING NO. EDC3-310479-01		
CHECKED : TS. SAKATA			13.07.12	PART NO. DF38-40P-0.3SD(51)		
DESIGNED : TP. MATSUMOTO			13.07.11	CODE NO. CL662-4502-6-51		
DRAWN : TP. MATSUMOTO			13.07.11	△ 1/2		

Apr.1.2017 Copyright 2017 HIROSE ELECTRIC CO., LTD. All Rights Reserved.



<b>HRS</b>	DRAWING NO.	EDC3-310479-01
	PART NO.	DF38-40P-0.3SD(51)
	CODE NO.	CL662-4502-6-51
		△ 2/2