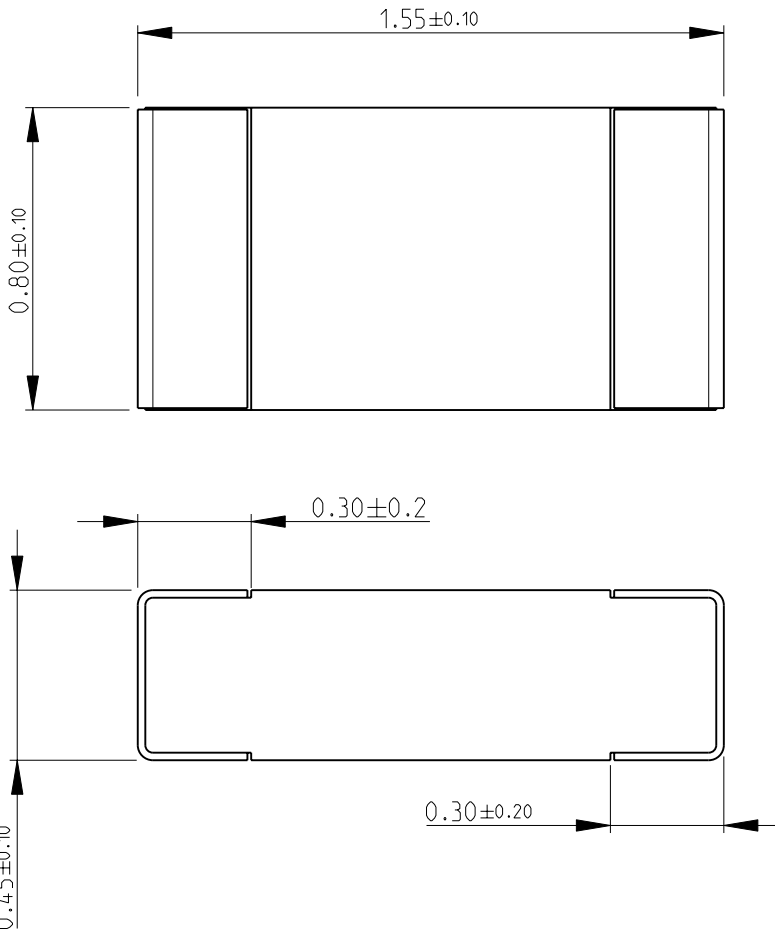
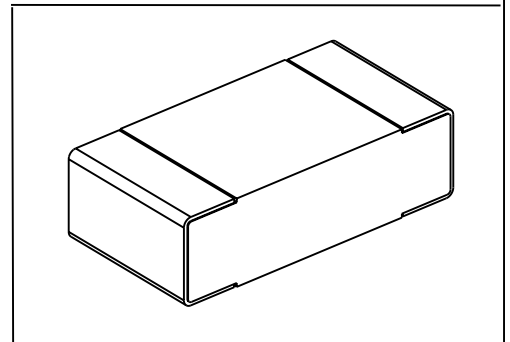
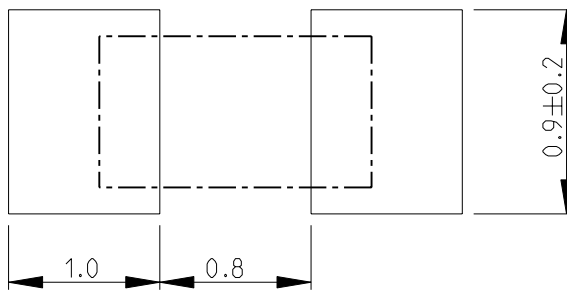


LOC	DIST	REVISIONS					
E	B	P	LTR	DESCRIPTION	DATE	DWN	APVD
			BA	NEW RELEASE	20SEP2010	PT	St.P

FOR FURTHER INFORMATION SEE DATA SHEET FOR
RN73 SERIES-HIGH PRECISION RESISTORS (SMD)



RECOMMENDED LAND PATTERN



2010
 RELEASED FOR PUBLICATION
 THIS DRAWING IS UNPUBLISHED.
 BY TYCO ELECTRONICS CORPORATION. ALL RIGHTS RESERVED.
 COPYRIGHT 2010

DIMENSIONS: mm	DWN	20SEP2010	MATERIAL	FINISH				
	PARUSURAM.T		-	-				
TOLERANCES UNLESS OTHERWISE SPECIFIED:	CHK	20SEP2010	Tyco Electronics Corporation Dorcan, Swindon, SN3 5HH					
	ALLAN.P							
0 PLC ± 0.2	APVD	20SEP2010	NAME HIGH PRECISION RESISTORS (SMD) SERIES RN73 1J					
1 PLC ± 0.1	STEPHEN.P							
2 PLC \pm	PRODUCT SPEC		SIZE	CAGE CODE	DRAWING NO	RESTRICTED TO		
3 PLC \pm	APPLICATION SPEC		A 4	00779	C= 1879192	-		
4 PLC \pm			WEIGHT -					
ANGLES $\pm 5^\circ$			CUSTOMER DRAWING					
			SCALE	20:1	SHEET	1 OF 1	REV	BA