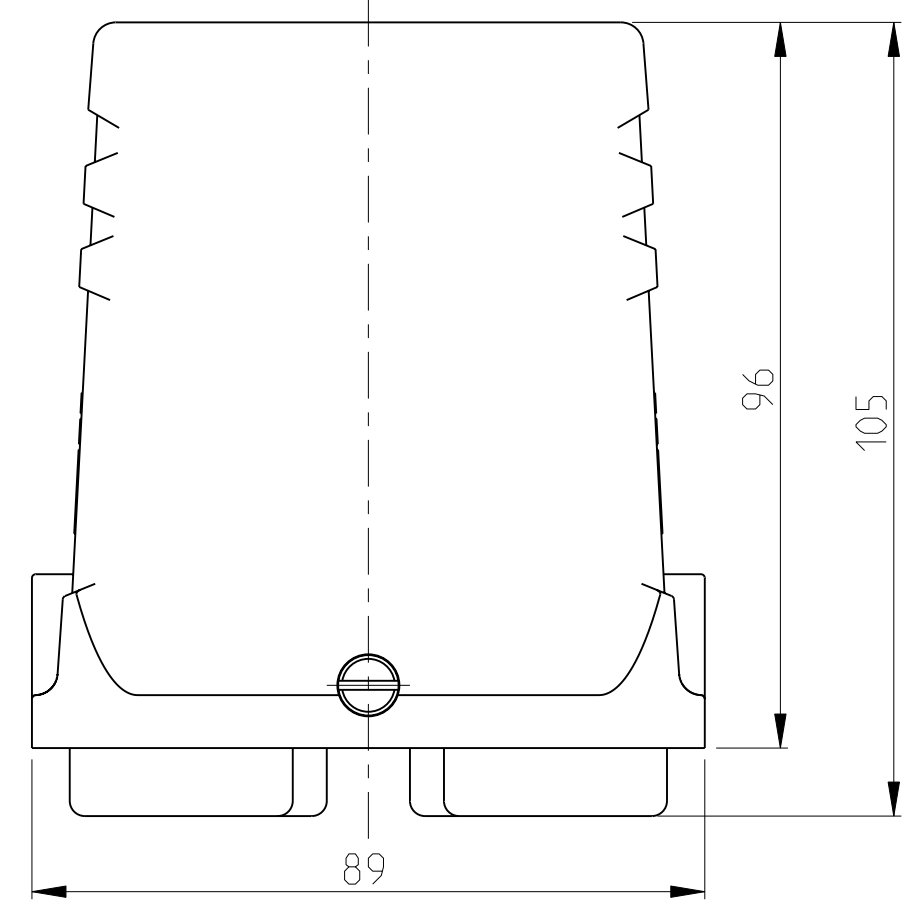
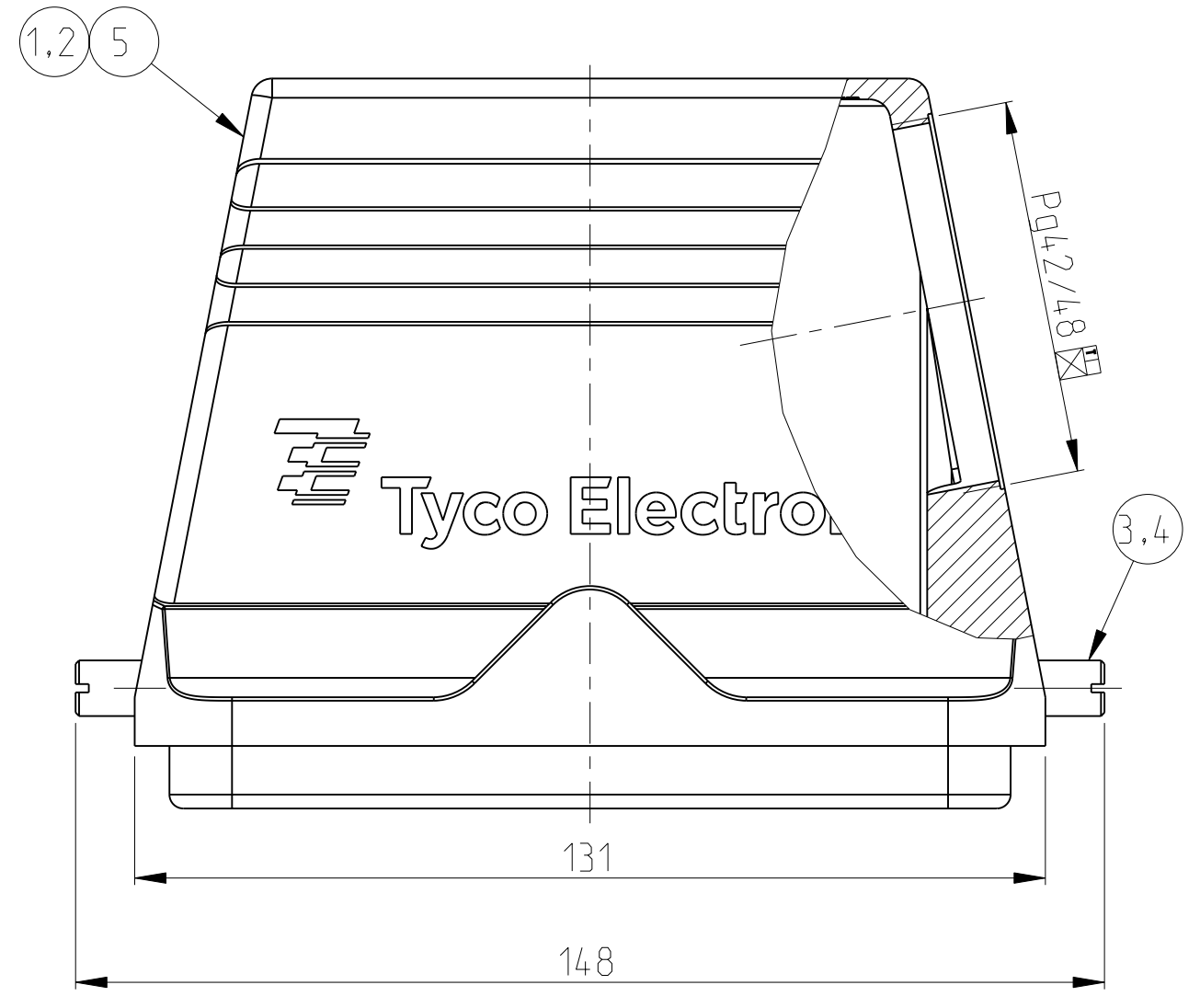


THIS DRAWING IS UNPUBLISHED. RELEASED FOR PUBLICATION 2006
 © COPYRIGHT 2006 BY TYCO ELECTRONICS CORPORATION. ALL RIGHTS RESERVED.

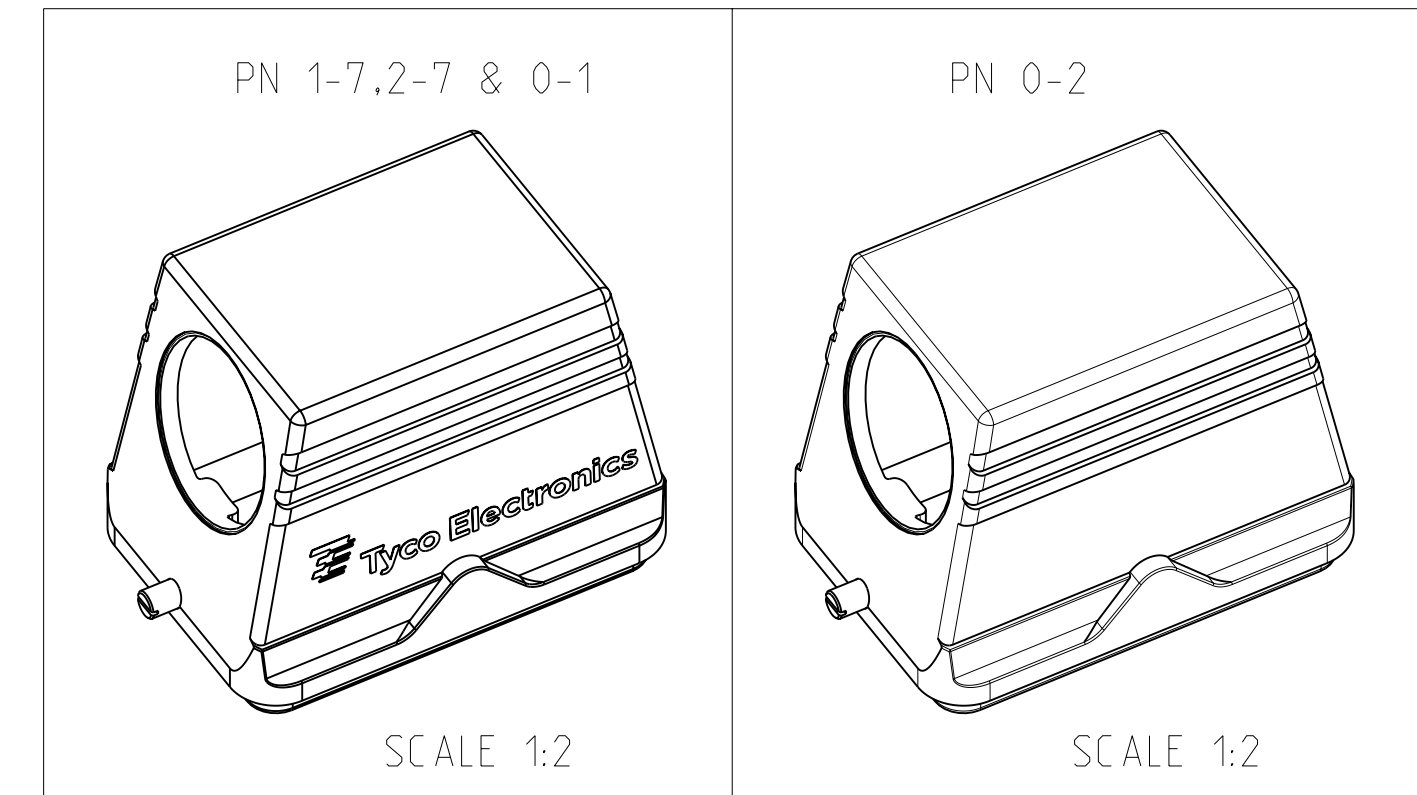
LOC		DIST		REVISIONS				
P	LTR	DESCRIPTION	DATE	DWN	APVD			
A4		Released as per ECR-08-022687	09.Sep.2008	SP	TS			

PN 1-7,2-7 & 0-1

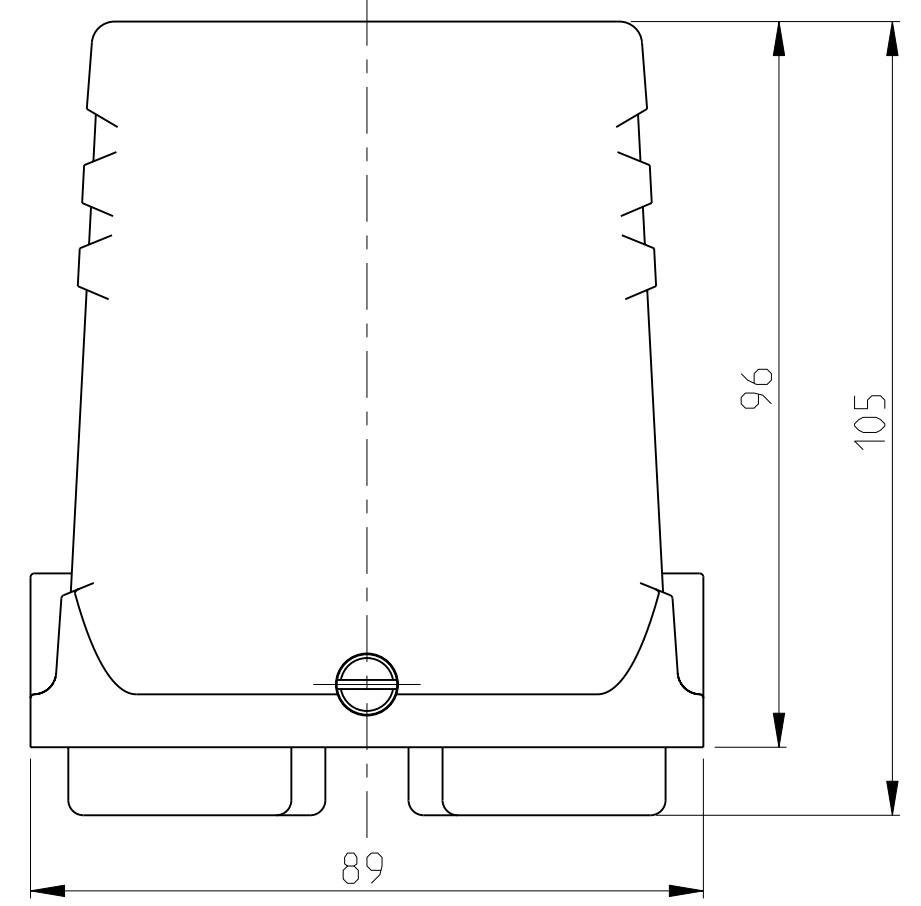
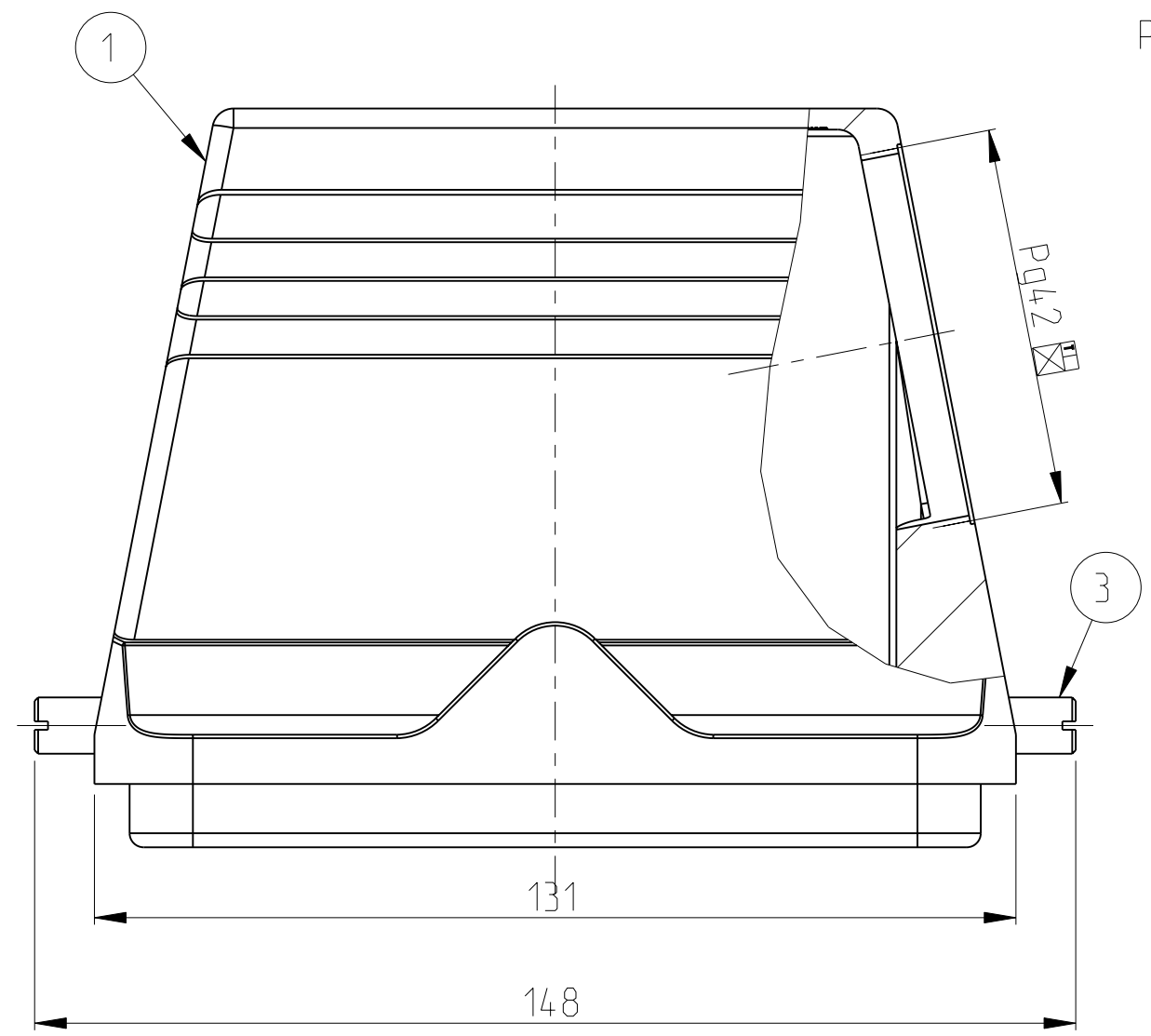


NOTES.

- 1 Material:Housing:Aluminium Diecasting Alloy
- 2 Varnish on the inside not necessary
- 3 Packaging
Quantity 3 Pieces in a box



PN 0-2



QTY	DESCRIPTION	MATERIAL	SURFACE	COLOR	ITEM
1	Hood HB	Aluminium		Grey	5
2	Clip bolt	Stainless steel	Blank		4
2	Clip bolt	Steel	Zinc plated	Blue	3
1	Hood HB	Aluminium	Aluminium oxide	Black	2
1	Hood HB	Aluminium		Grey	1

ORDERING TEXT
 HB.48.STS-GR.1.42.G
 HB-K.48.STS-GR.1.42.G
 HB.48.STS-GR.1.48.G
 HB.48.STS-GR.1.42.G-Natural

THIS DRAWING IS A CONTROLLED DOCUMENT FOR TYCO ELECTRONICS CORPORATION IT IS SUBJECT TO CHANGE AND THE CONTROLLING ENGINEERING ORGANIZATION SHOULD BE CONTACTED FOR THE LATEST REVISION.		DWN R.SCHNEIDER 17.Aug.07 CHK SCHNURPFEL 17.Aug.07 APVD - PRODUCT SPEC - APPLICATION SPEC - WEIGHT - CUSTOMER DRAWING	Tyco Electronics Tyco Electronics,AMP.GmbH 53757 Sankt Augustin,Germany NAME HOOD ASSY HB.48.STS-GR (PG-THREAD) SIZE A2 CAGE CODE 00779 DRAWING NO G-1102379 RESTRICTED TO - SCALE 1:1 SHEET 1 OF 1 REV A4
DIMENSIONS: mm 	TOLERANCES UNLESS OTHERWISE SPECIFIED: ISO 2768-mS ISO 2768-mS-E DIN 9130 0 PLC ± 1 PLC ± 2 PLC ± 3 PLC ± 4 PLC ± ANGLES ± FINISH	MATERIAL -	