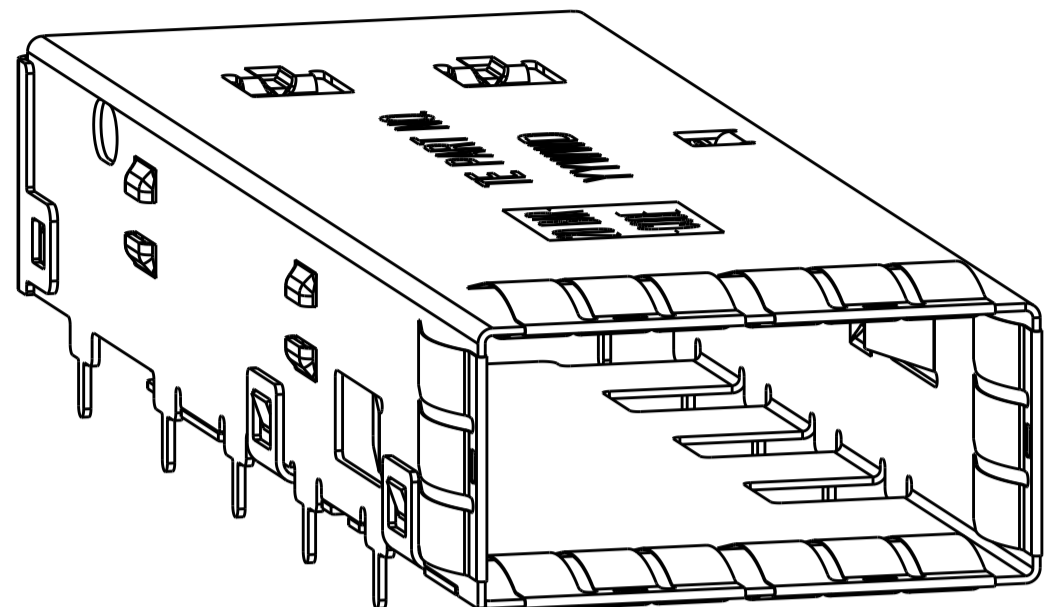
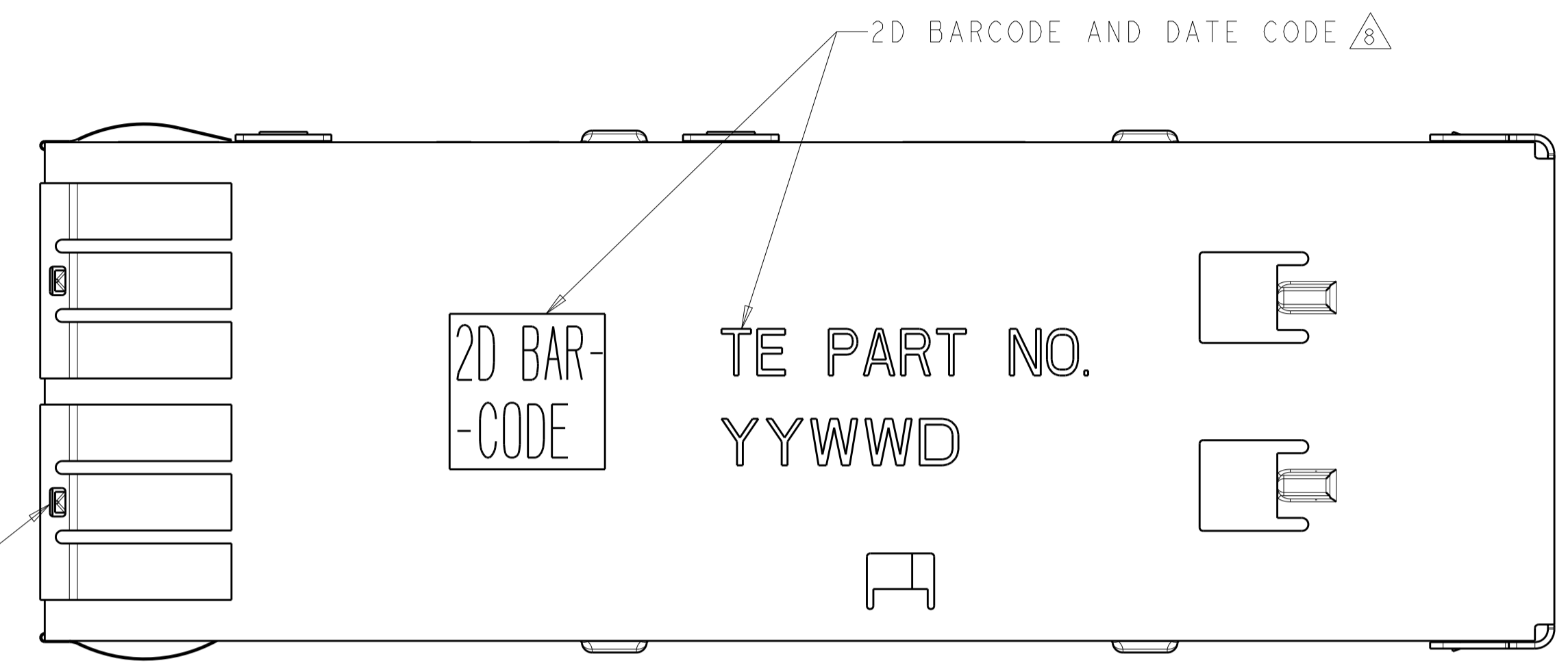


LOC	DIST	REVISIONS					
GP	00	P.	LTN	DESCRIPTION	DATE	DWN	APVD
		3		REVISED	29OCT2009	CR	JP
		4		REVISED	08DEC2010	CJV	EJB
		5		REVISE PER ECO-14-016878	5MAR2015	RG	MC

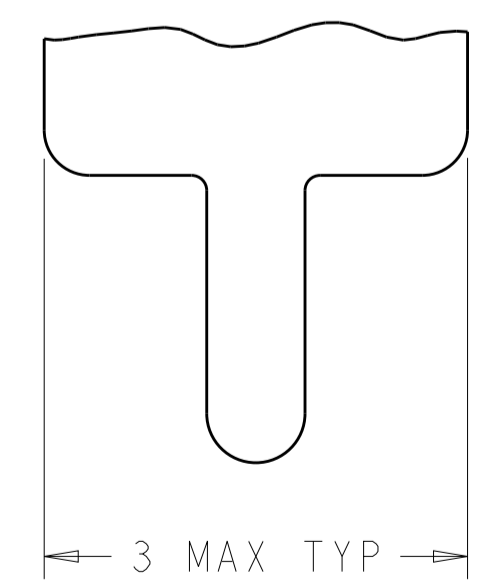
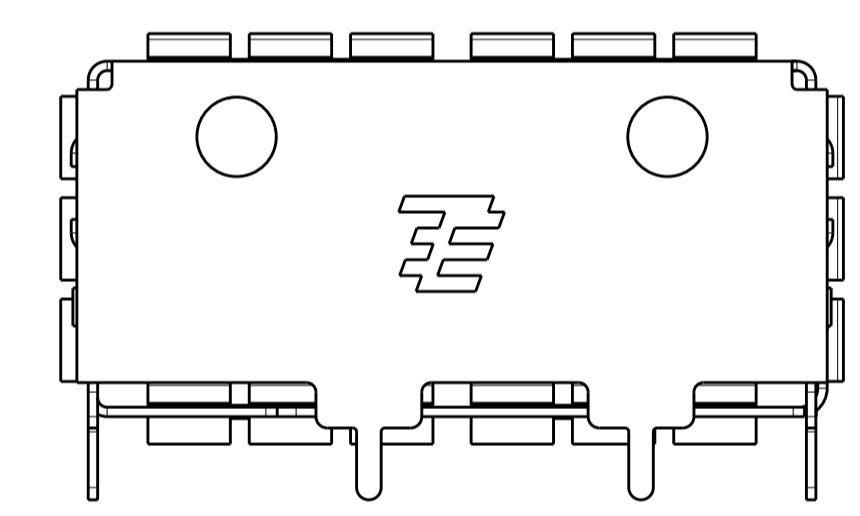
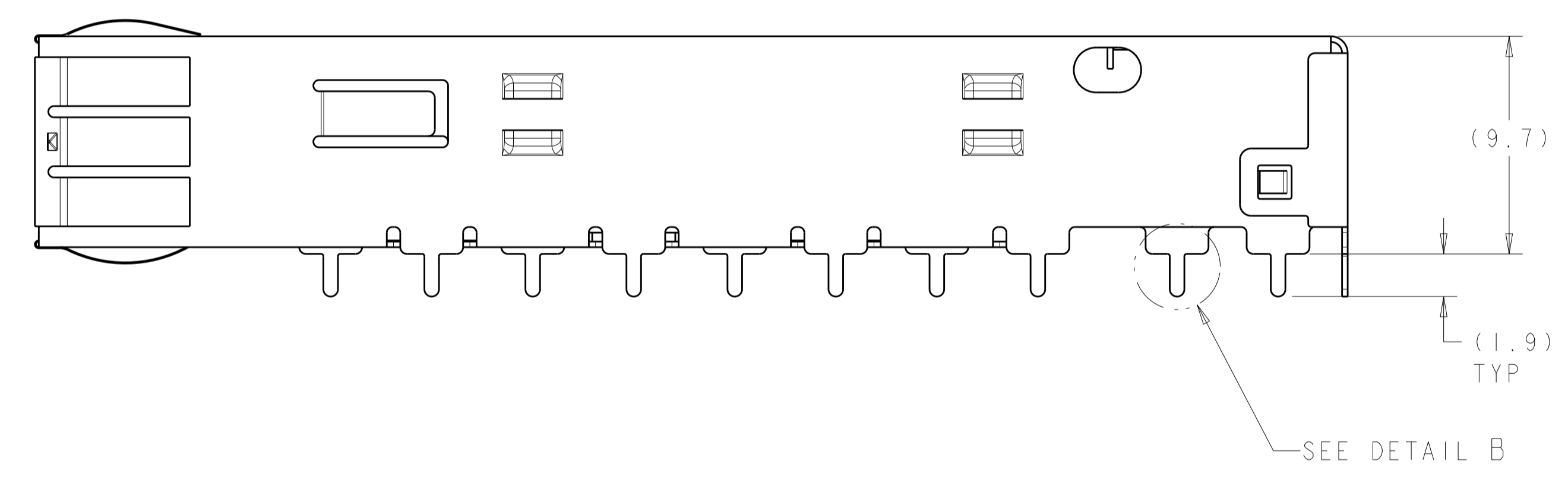
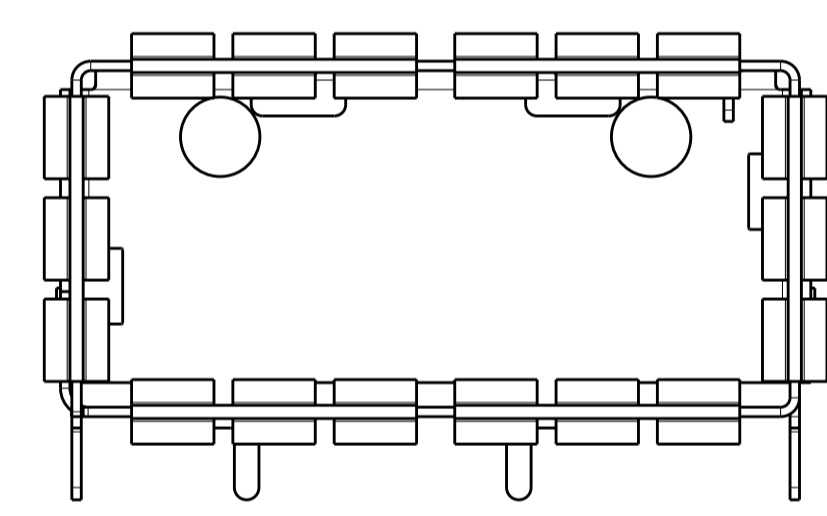


ISOMETRIC VIEW  
SCALE 4:1

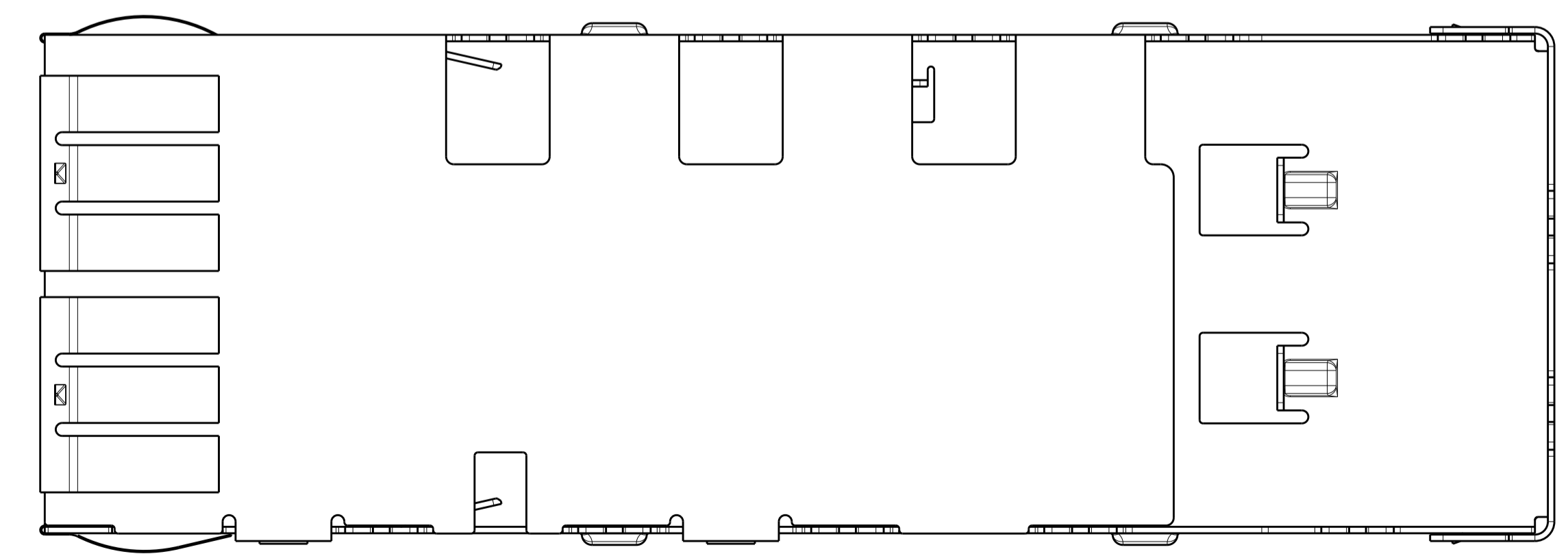
Sn42Bi58 SOLDER  
6 PLACES



- △ MATERIAL:  
CAGE - 0.25 THICK NICKEL SILVER  
SPRINGS - COPPER ALLOY
- △ MINIMUM PITCH DIMENSION.
- 3. MATES WITH QSFP MSA COMPATIBLE TRANSCEIVER.
- △ DATUM AND BASIC DIMENSIONS ESTABLISHED BY CUSTOMERS.
- 5. MINIMUM PC BOARD THICKNESS:  
SINGLE SIDED: 1.45mm  
DOUBLE SIDED: 2.2mm
- △ DATUM -A- IS TOP SURFACE OF THE HOST BOARD.
- △ SURFACE TRACES PERMITTED WITHIN THIS AREA EXCEPT WHERE CAGE STANDOFFS, SHOWN IN DETAIL J, CONTACT PC BOARD.
- △ 2D BARCODE AND DATE CODE (YYWWD) MARKED APPROXIMATELY AS SHOWN.
- △ FINISH:  
SPRINGS - 0.8µm MIN TIN OVER 0.8µm MIN NICKEL,  
NON-PLATED EDGES PERMISSIBLE.
- 10. PRODUCT HAS NOT COMPLETED QUALIFICATION TESTING.



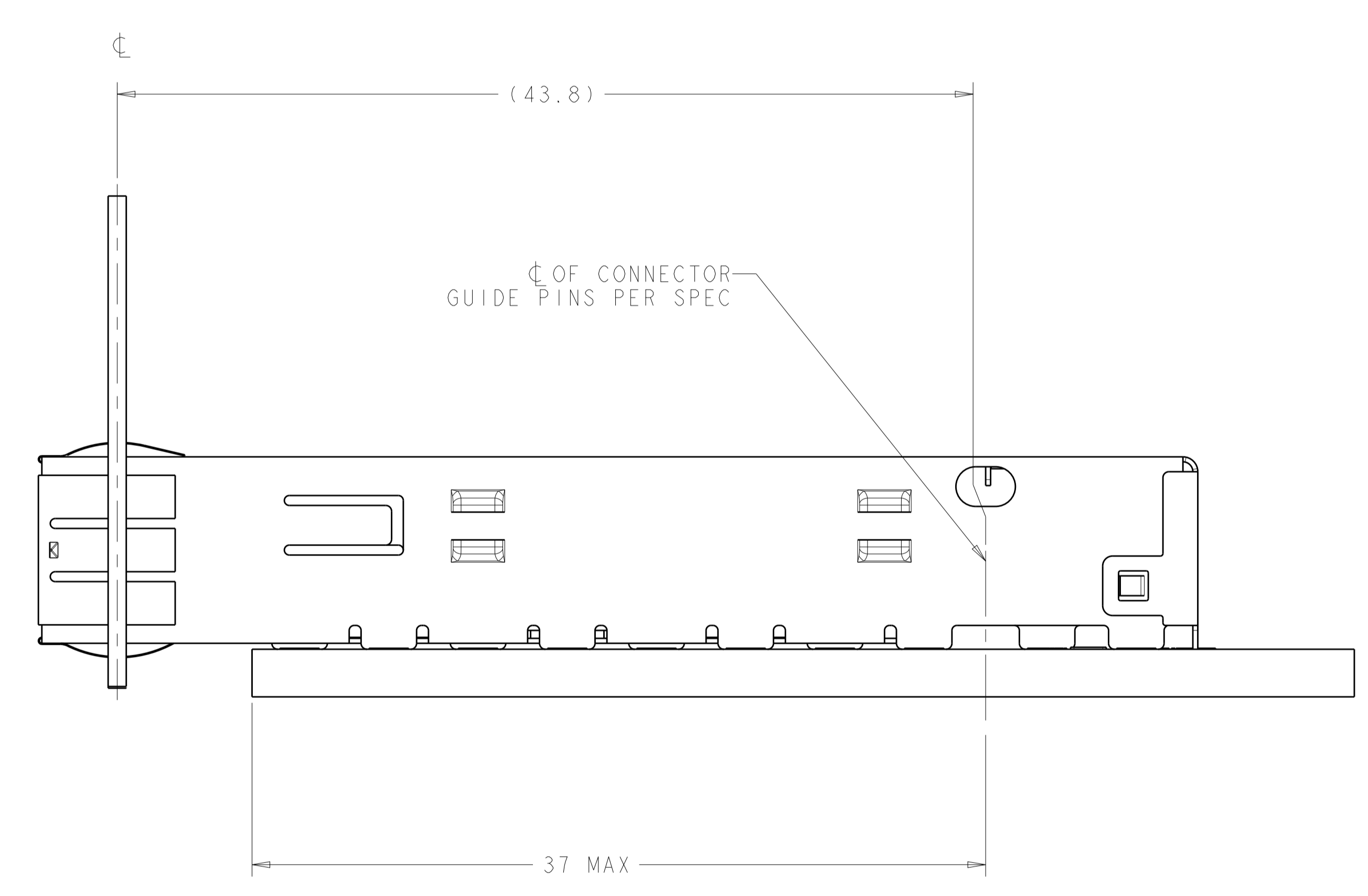
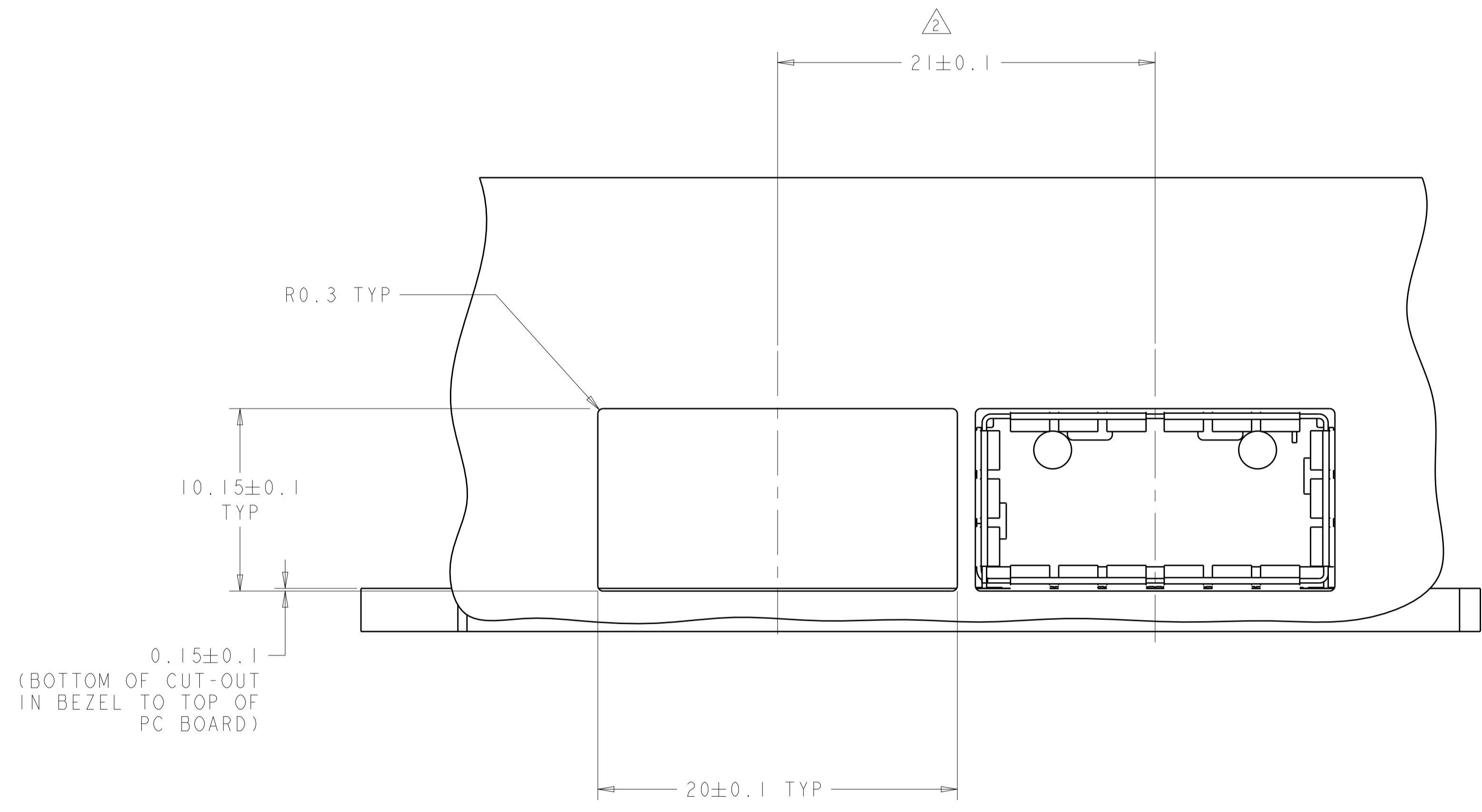
DETAIL B  
SCALE 20:1



2110487-1  
PART NUMBER

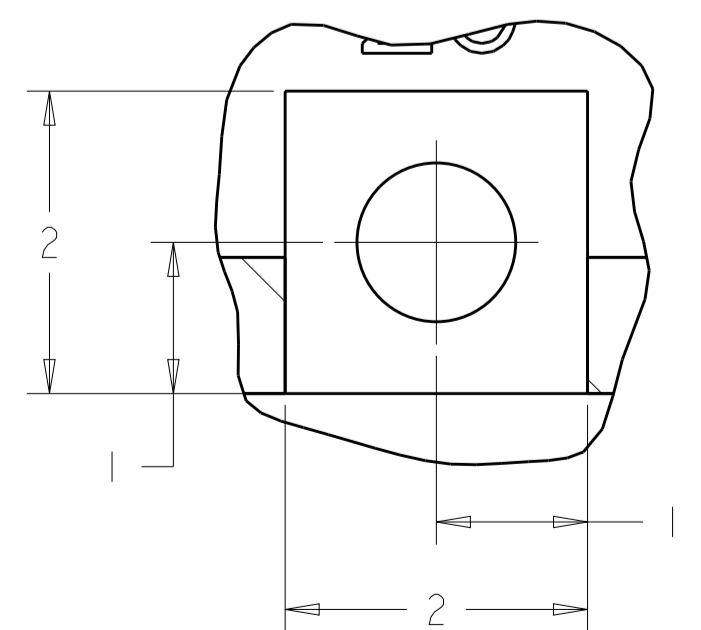
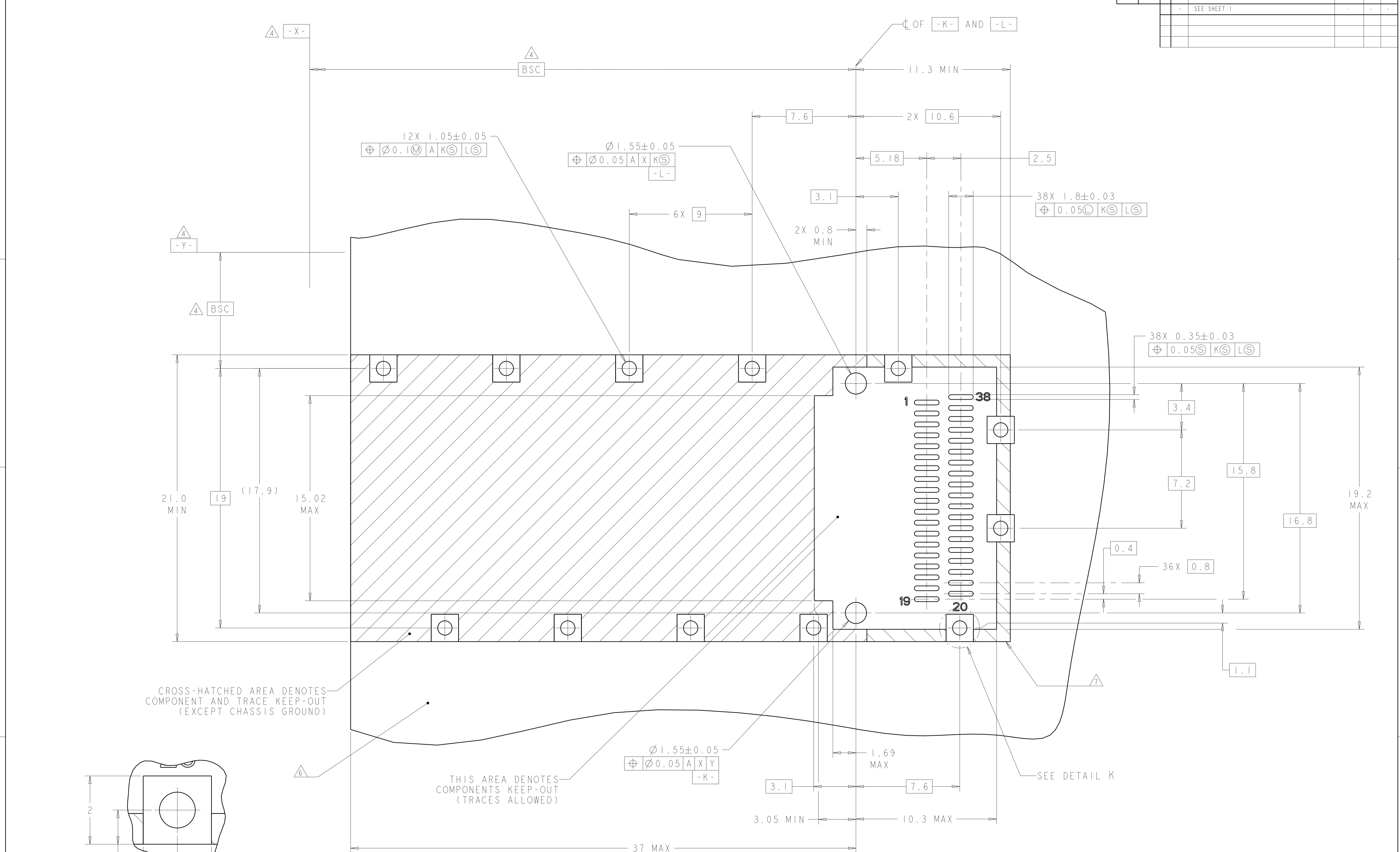
<small>THIS DRAWING IS UNPUBLISHED. RELEASED FOR PUBLICATION BY TYCO ELECTRONICS CORPORATION. ALL RIGHTS RESERVED.</small>		DWN: Z M BEAM 22SEP2009 CMT: J R PETERSON 22SEP2009 APVD: B H WERTZ 22SEP2009	Tyco Electronics Harrisburg, PA 17105-3608
DIMENSIONS: mm 	TOLERANCES UNLESS OTHERWISE SPECIFIED: 0 PLC ±0.1 1 PLC ±0.1 2 PLC ±0.1 3 PLC ±0.1 4 PLC ±0.1 ANGLES ±°	PRODUCT SPEC: 108-2286 APPLICATION SPEC: 114-13217 WEIGHT: -	Tyco Electronics Harrisburg, PA 17105-3608 QSFP IXI CAGE ASSEMBLY SOLDER, THRU BEZEL SIZE: 114-13217 CAGE CODE: 2110487 DRAWING NO: 2110487-1
MATERIAL: △1	FINISH: △9	RESTRICTED TO: -	CUSTOMER DRAWING SCALE: 5:1 SHEET 1 OF 5 REV 5

LOC	DIST	REVISIONS					
GP	00	P	LTN	DESCRIPTION	DATE	DWN	APVD
-	-	-	-	SEE SHEET 1	-	-	-



<small>THIS DRAWING IS UNPUBLISHED. IT IS THE PROPERTY OF TYCO ELECTRONICS CORPORATION. IT IS TO BE USED ONLY FOR THE PROJECT AND FOR THE CUSTOMER'S USE. IT IS TO BE RETURNED TO TYCO ELECTRONICS CORPORATION IMMEDIATELY UPON COMPLETION OF THE PROJECT. NO PARTS OF THIS DRAWING ARE TO BE REPRODUCED OR TRANSMITTED IN ANY FORM OR BY ANY MEANS, ELECTRONIC OR MECHANICAL, INCLUDING PHOTOCOPYING, RECORDING, OR BY ANY INFORMATION STORAGE AND RETRIEVAL SYSTEM. TYCO ELECTRONICS CORPORATION SHALL BE CONTACTED FOR THE LATEST REVISION.</small>		DWN: Z.M. REAM 22SEP2009 CHK: J.R. PETERSON 22SEP2009 APVD: B.H. WERTZ 22SEP2009	Tyco Electronics Harrisburg, PA 17105-3608
DIMENSIONS: mm 	TOLERANCES UNLESS OTHERWISE SPECIFIED: 0 PLC ±0.1 1 PLC ±0.1 2 PLC ±0.1 3 PLC ±0.1 4 PLC ±0.1 ANGLES ±° FINISH -	NAME: QSFP PRODUCT SPEC: 108-2286 APPLICATION SPEC: 114-13217 WEIGHT: - CUSTOMER DRAWING	SIZE: A CAGE CODE: 00779 DRAWING NO: C=2110487 RESTRICTED TO: - SCALE: 5:1 SHEET: 2 OF 5 REV: 5

LOC	DIST	REVISIONS			
GP	00	REV	DATE	BY	APPV
-	-	SEE SHEET 1	-	-	-

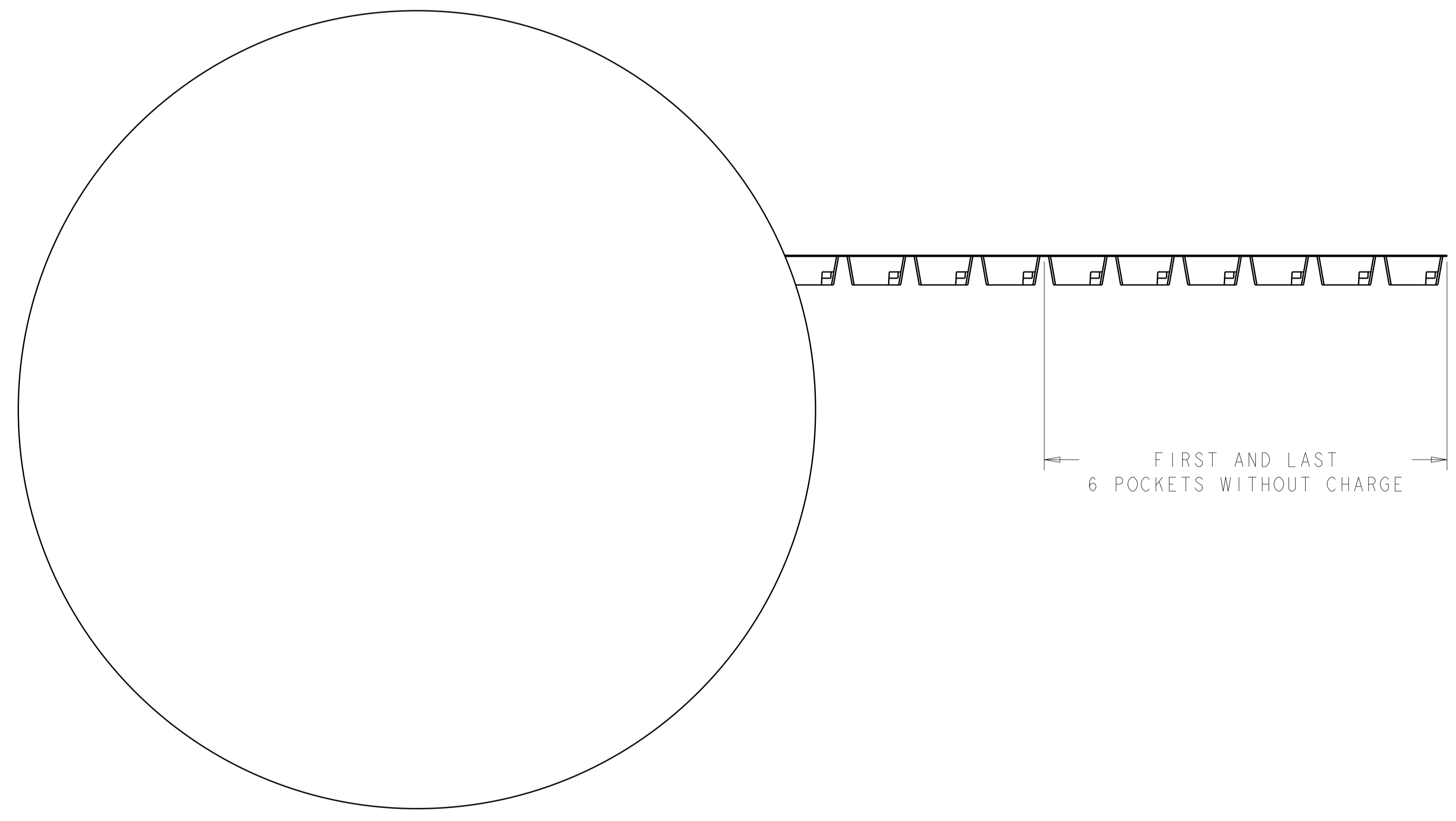
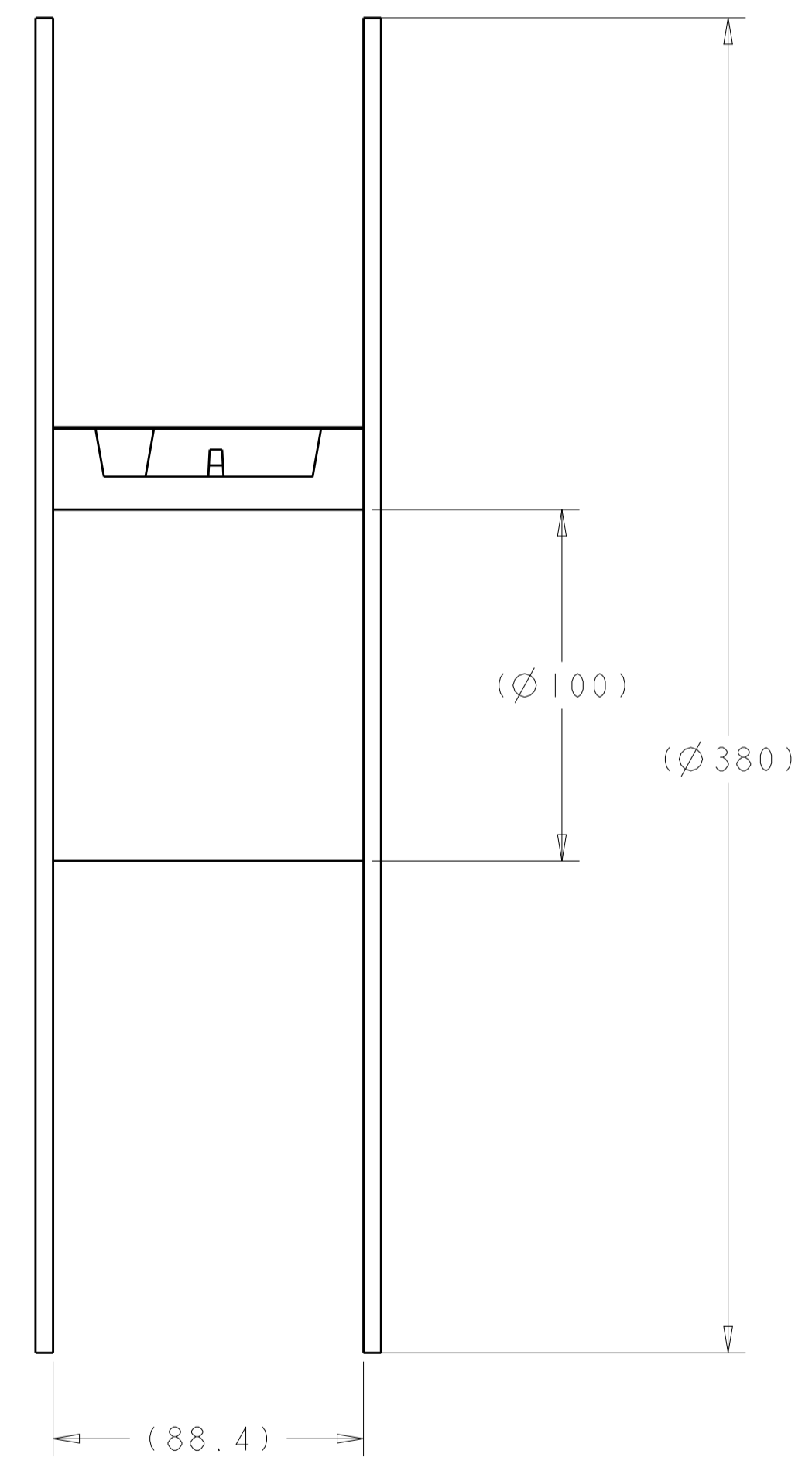
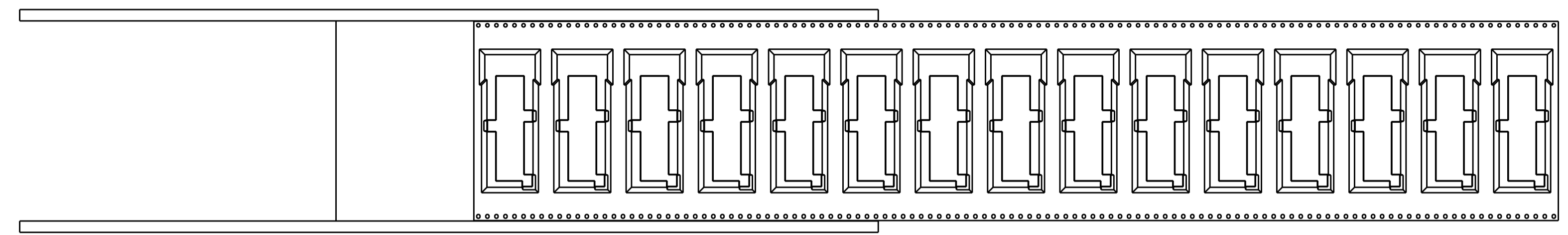


DETAIL K  
SCALE 20:1

RECOMMENDED PC BOARD LAYOUT  
SCALE 8:1

<small>THIS DRAWING IS UNPUBLISHED. RELEASED FOR PUBLICATION BY TYCO ELECTRONICS CORPORATION. ALL RIGHTS RESERVED.</small>		DWN: Z.M.BEAM 22SEP2009 CHK: J.R.PETERSON 22SEP2009 APVD: B.H.WERTZ 22SEP2009	Tyco Electronics Harrisburg, PA 17105-3608
DIMENSIONS: mm 	TOLERANCES UNLESS OTHERWISE SPECIFIED: 0 PLC ±0.1 1 PLC ±0.1 2 PLC ±0.1 3 PLC ±0.1 4 PLC ±0.1 ANGLES ±°	NAME: OSFP PRODUCT SPEC: 108-2286 APPLICATION SPEC: 114-13217 WEIGHT: - CUSTOMER DRAWING	SIZE: A100779C=2110487 SCALE: 5:1 SHEET: 3 of 5 REV: 5

LOC	DIST	REVISIONS			
P	LTN	DESCRIPTION	DATE	DWN	APVD
GP	00	SEE SHEET 1	-	-	-



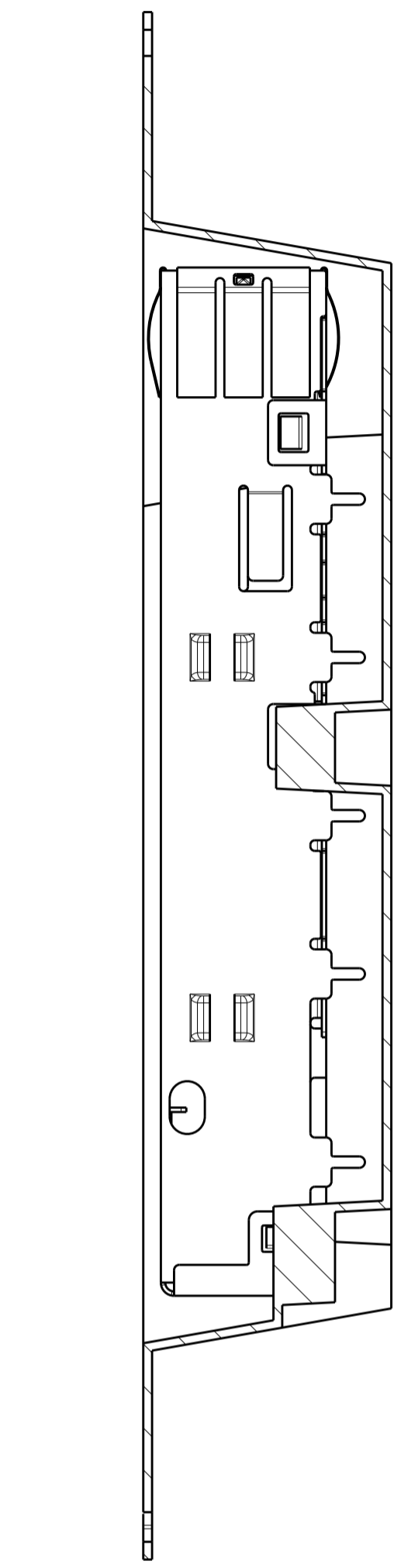
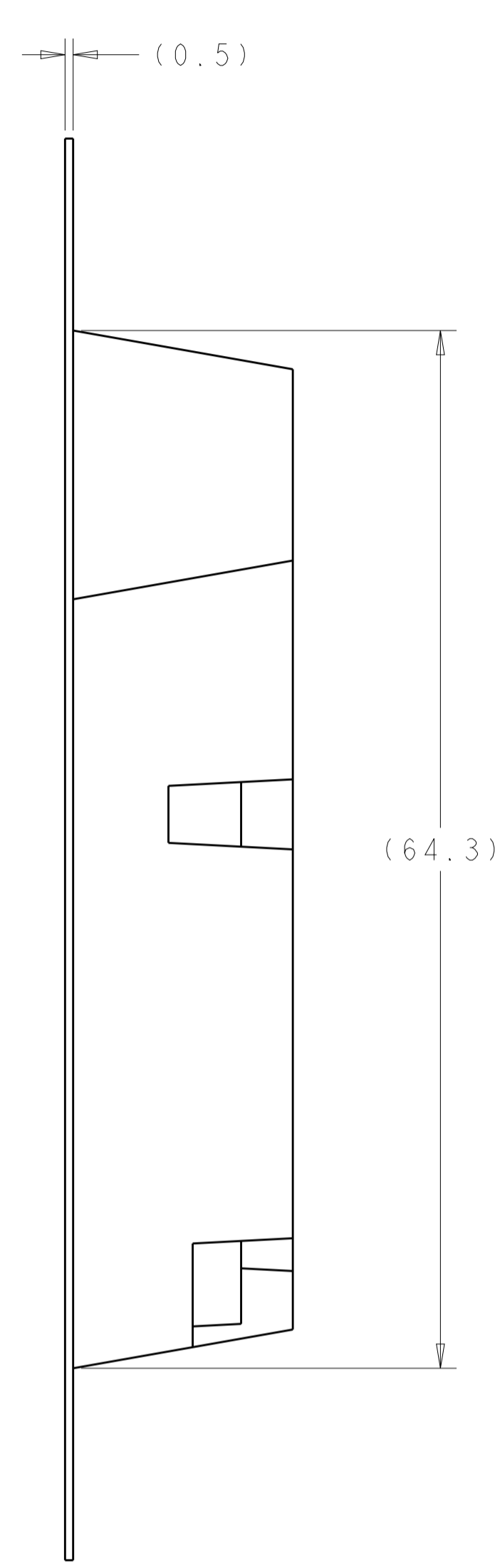
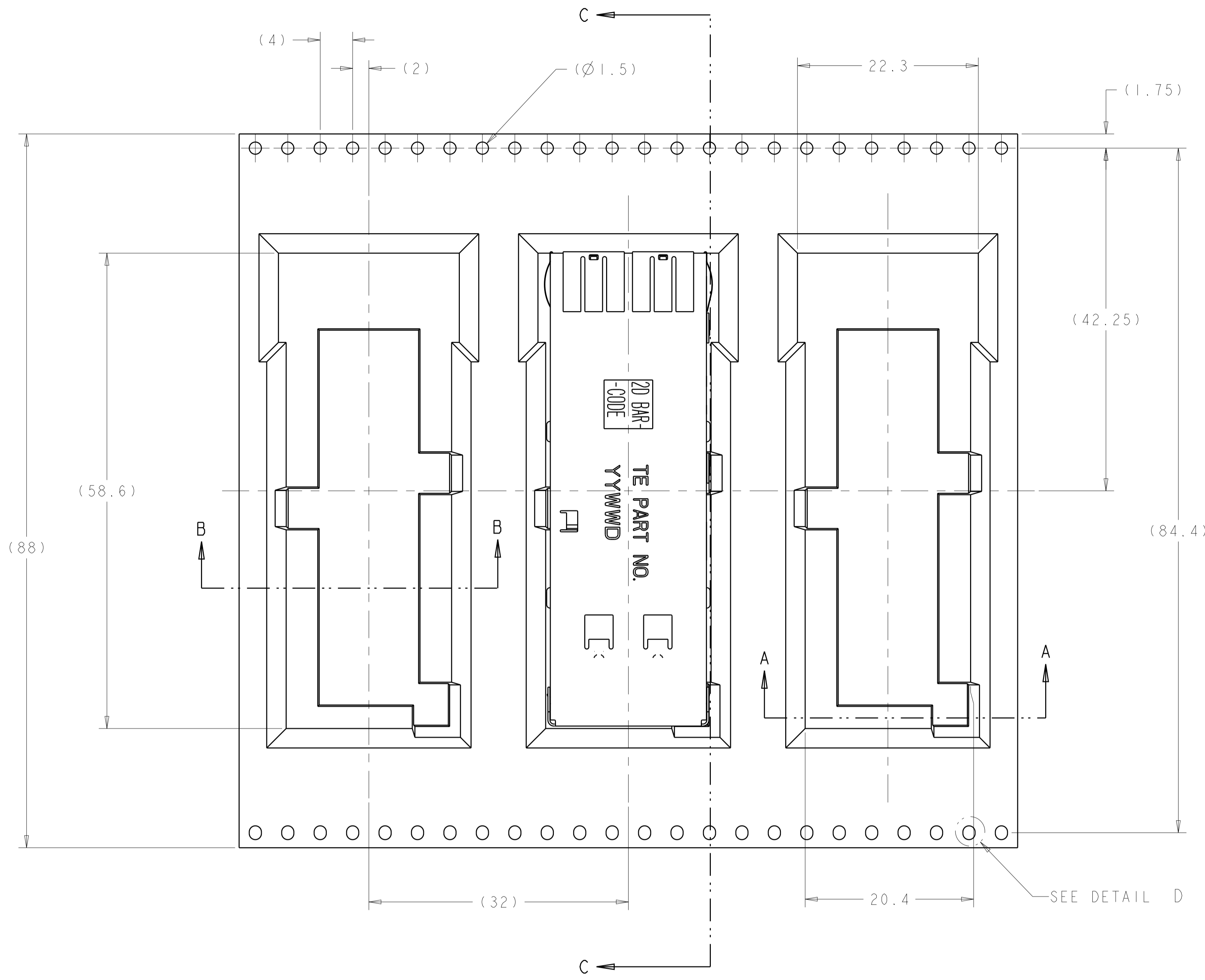
FIRST AND LAST  
6 POCKETS WITHOUT CHARGE

DIRECTION OFF  
TOP OF REEL

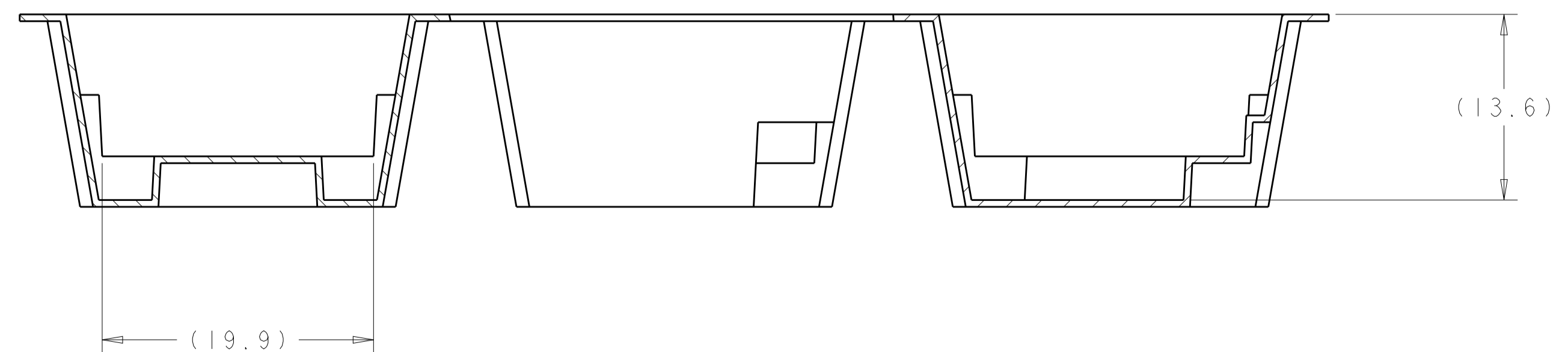
REEL PACKAGING  
180 PCS PER REEL  
SCALE APPROXIMATE  
SCALE 3:5

<small>THIS DRAWING IS UNPUBLISHED. RELEASED FOR PUBLICATION. IT IS THE POLICY OF TYCO ELECTRONICS CORPORATION TO CONTROL THE DISTRIBUTION OF THIS DRAWING. CONTACT YOUR LOCAL TYCO SALES OFFICE FOR THE LATEST REVISION.</small>		DWN: Z.M. BEAM 22SEP2009 CHK: J.R. PETERSON 22SEP2009 APVD: B.H. WERTZ 22SEP2009	Tyco Electronics Harrisburg, PA 17105-3608
DIMENSIONS: mm 	TOLERANCES UNLESS OTHERWISE SPECIFIED: 0 PLC ±0.1 1 PLC ±0.1 2 PLC ±0.1 3 PLC ± 4 PLC ± ANGLES ± FINISH	NAME: OSFP PRODUCT SPEC: 108-2286 APPLICATION SPEC: 114-13217 WEIGHT:	SIZE: A CAGE CODE: 00779 DRAWING NO: C=2110487 RESTRICTED TO:
MATERIAL: -	FINISH: -	WEIGHT: -	SCALE: 5:1 SHEET 4 OF 5 REV 5
CUSTOMER DRAWING		SCALE 5:1 SHEET 4 OF 5 REV 5	

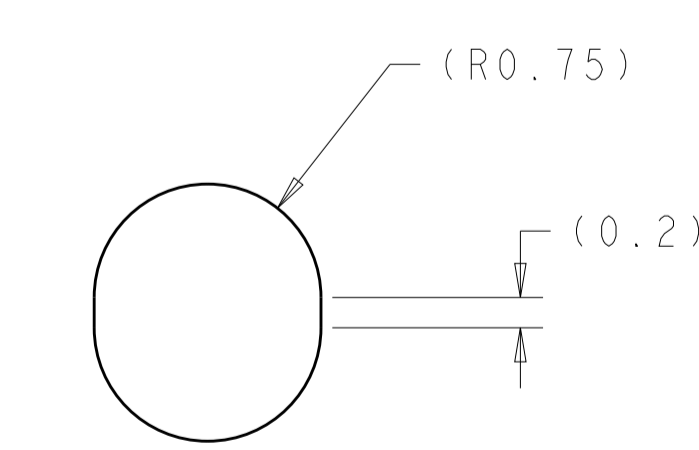
LOC	DIST	REVISIONS			
P	LTN	DESCRIPTION	DATE	DMN	APVD
-	-	SEE SHEET 1	-	-	-



SECTION C-C



PACKAGING TAPE LAYOUT  
SCALE APPROXIMATE



DETAIL D  
SCALE 20:1

THIS PRINT IS  
**PRELIMINARY**  
 UNQUALIFIED PRODUCT  
 CONTACT PRODUCT ENGINEERING  
 BEFORE USING THIS PRINT

<small>THIS DRAWING IS UNPUBLISHED. RELEASED FOR PUBLICATION BY TYCO ELECTRONICS CORPORATION. ALL RIGHTS RESERVED.</small>		DMN: Z.M. REAM 22SEP2009 CHK: J.R. PETERSON 22SEP2009 APVD: B.H. WERTZ 22SEP2009	Tyco Electronics Harrisburg, PA 17105-3608
DIMENSIONS: mm 	TOLERANCES UNLESS OTHERWISE SPECIFIED: 0 PLC ±0.1 1 PLC ±0.1 2 PLC ±0.1 3 PLC ±0.1 4 PLC ±0.1 ANGLES ±° FINISH	NAME: QSFP PRODUCT SPEC: 108-2286 APPLICATION SPEC: 114-13217 WEIGHT: - CUSTOMER DRAWING	SIZE: A CAGE CODE: 00779 DRAWING NO: C=2110487 RESTRICTED TO: - SCALE: 5:1 SHEET 5 OF 5 REV 5