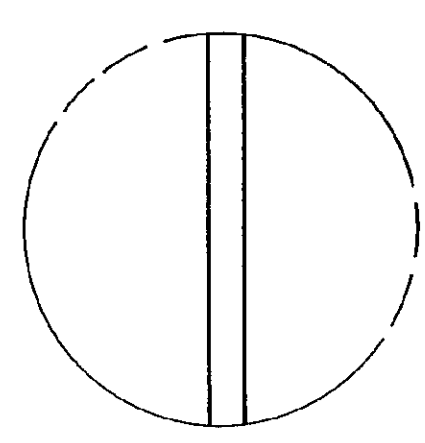
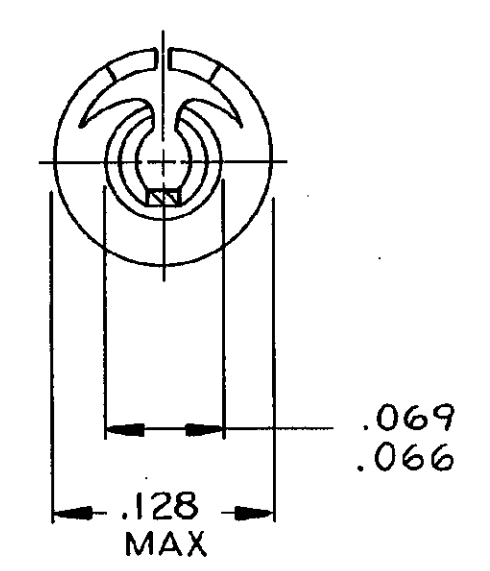
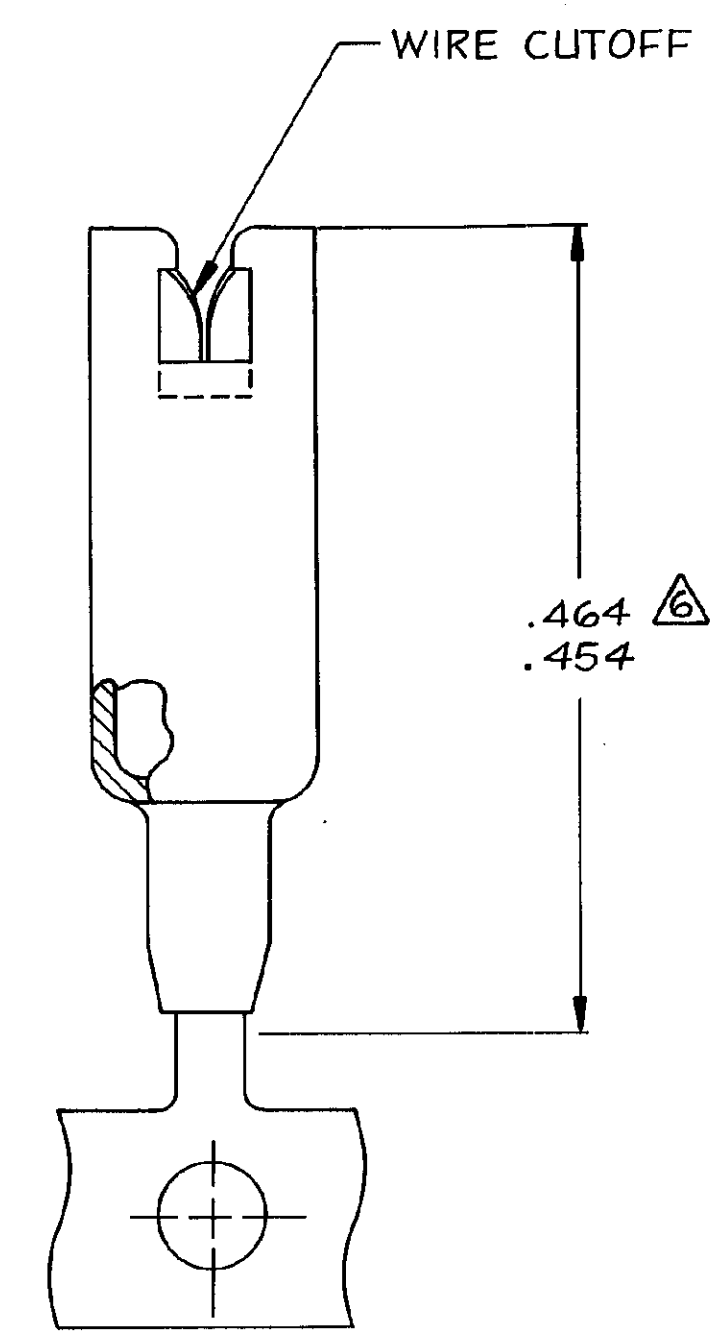
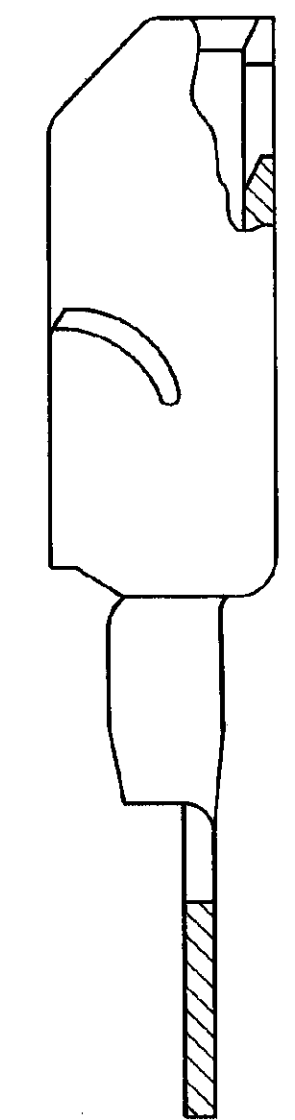
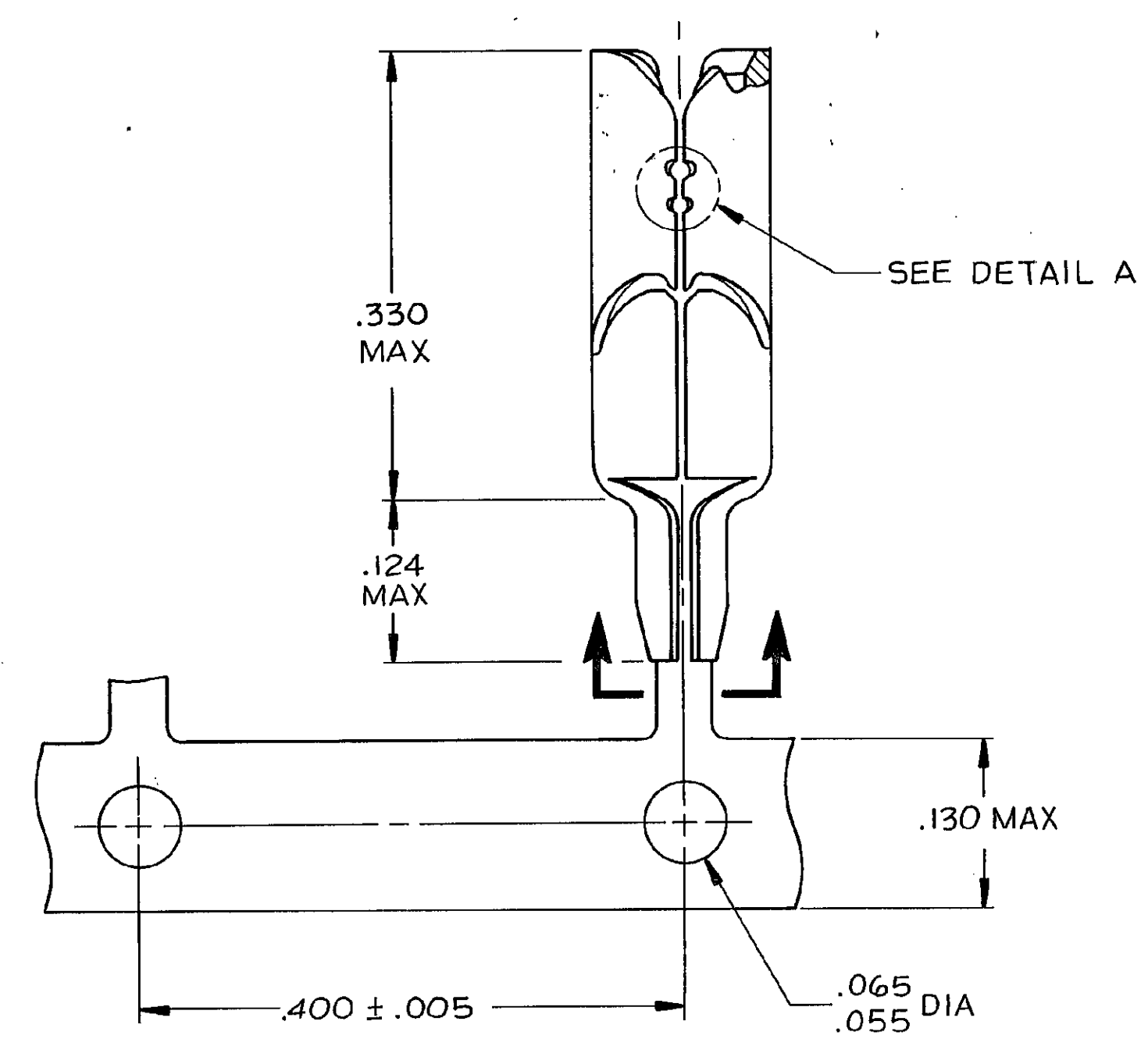


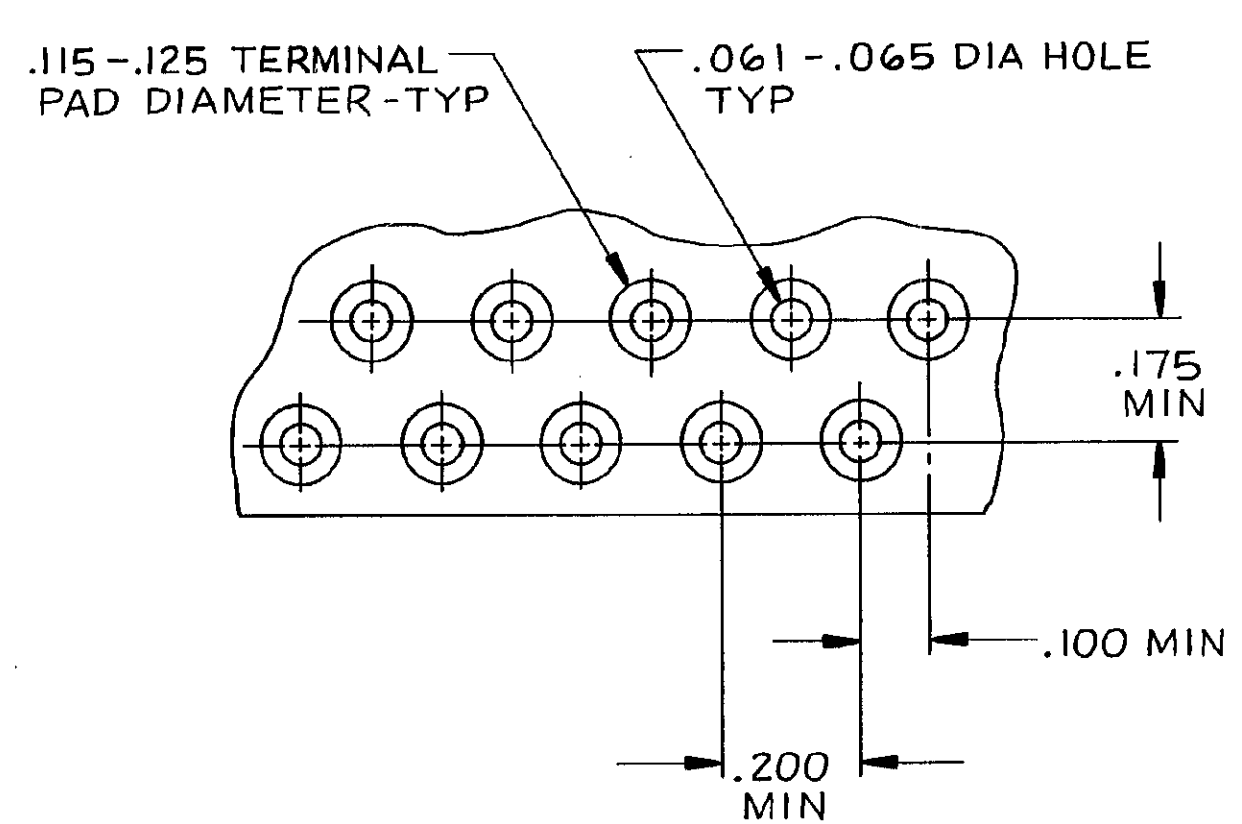
THIS DRAWING IS UNPUBLISHED. RELEASED FOR PUBLICATION 19  
 © COPYRIGHT 19 BY AMP INCORPORATED, HARRISBURG, PA. ALL INTERNATIONAL RIGHTS RESERVED. AMP PRODUCTS MAY BE COVERED BY U.S. AND FOREIGN PATENTS AND/OR PATENTS PENDING.

REVISIONS				DATE	APPROVED
P	F	ZONE	LTR		
		U		OBS:-4; EC 0502-0222-96	31MAY97

- FOR USE IN PRINTED CIRCUIT BOARDS .062-.094 THICK.
  - WIRE RANGE :22-26 AWG SOLID OR STRANDED WIRE. MAXIMUM INSULATION DIAMETER OF .086 IS ACCEPTABLE FOR MOST APPLICATIONS.
  - TERMINAL SHALL ACCOMMODATE ONE OR TWO WIRES OF THE SAME TYPE AND WITHIN PLUS OR MINUS ONE WIRE GAGE SIZE. EXAMPLE: 24 AWG MAY BE MIXED WITH EITHER 26 OR 22 AWG.
  - USE INSERTION TOOL, PART NUMBER 231890-1.
- ⚠ WHEN USING TEFLON INSULATED WIRES USE 554935-1 OR 554935-2.
- ⚠ CUT-OFF DIMENSION FOR LOOSE PIECE PARTS ONLY.



DETAIL A  
SCALE-40:1  
FOR -3 AND -4 ONLY



SUGGESTED PRINTED CIRCUIT BOARD  
MOUNTING DIMENSIONS  
SCALE - NTS

OBSOLETE	230549-1	LOOSE PIECE ⚠	AS SHOWN WITH DETAIL A	-3
	1-453973-4	STRIP MOUNTED		-2
OBSOLETE	230549-1	LOOSE PIECE ⚠	AS SHOWN	554935-1
	TERMINAL INSERTION TOOL		DESCRIPTION	PART NO
UNLESS OTHERWISE SPECIFIED DIMENSIONS ARE IN INCHES.		AMP INCORPORATED Harrisburg, Pa. 17105		
TOLERANCES ON:		NAME		
DECIMALS ±		TERMINAL, .125 DIA W/ CUTOFF, AMP BARREL®		
ANGLES ±		SIZE		
MATERIAL	PHOS BRONZE	SIZE	FSCM NO	DRAWING NO
FINISH	PRE-TINNED	D	00779	554935
CONTRACT NO		SCALE 10:1		
DR <i>Shultz</i> 8-21-86		SHEET 1 OF 1		
CHK <i>A. Fox</i> 8-25-86				
APPD <i>Steve Keller</i> 8/25/86				
APPD <i>J. W. Harrison</i> 8/25/86				