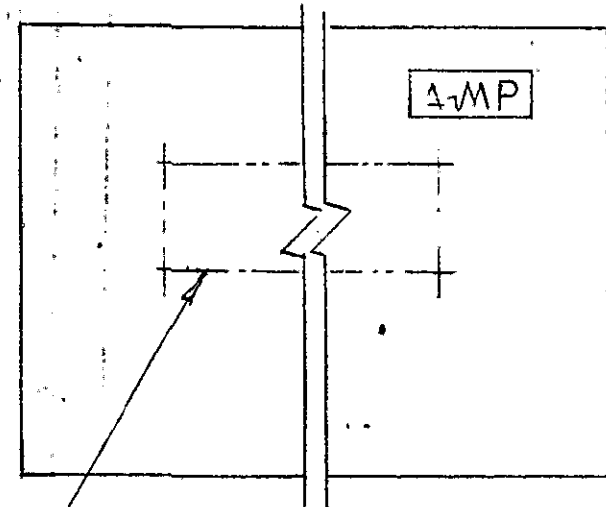
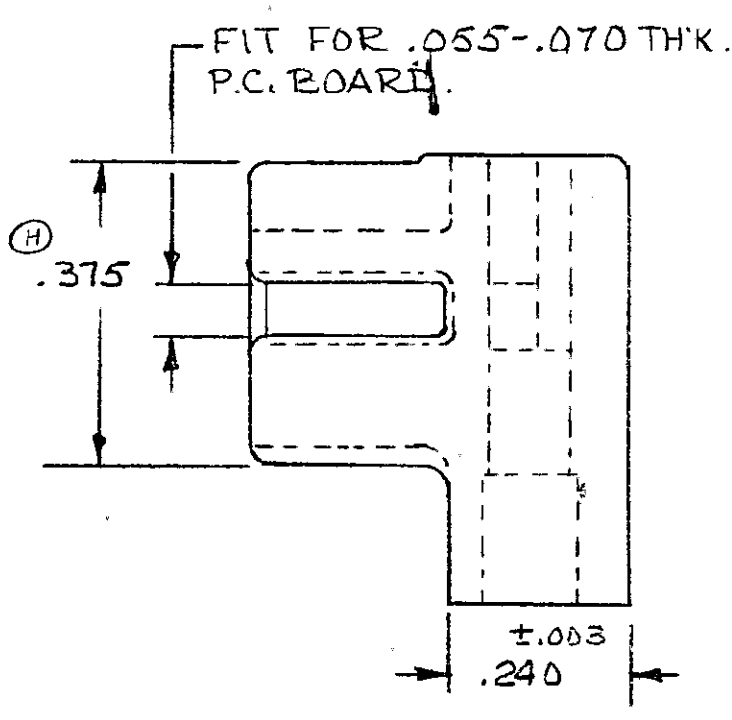
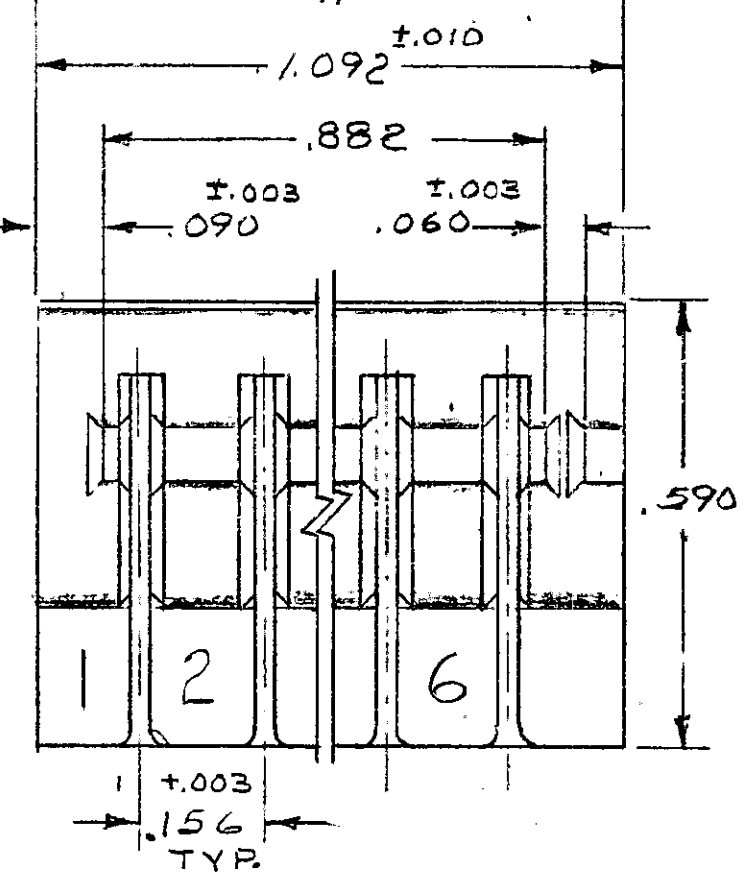
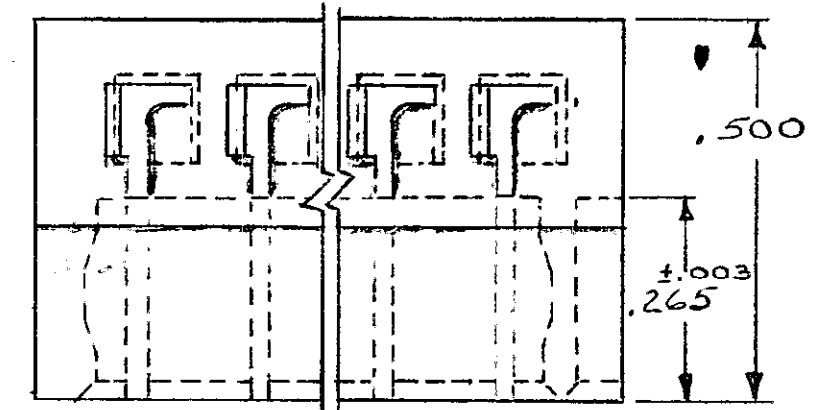


© 1962 BY AMP INCORPORATED. ALL RIGHTS RESERVED. AMP PRODUCTS COVERED BY PATENTS AND OR PATENTS PENDING.

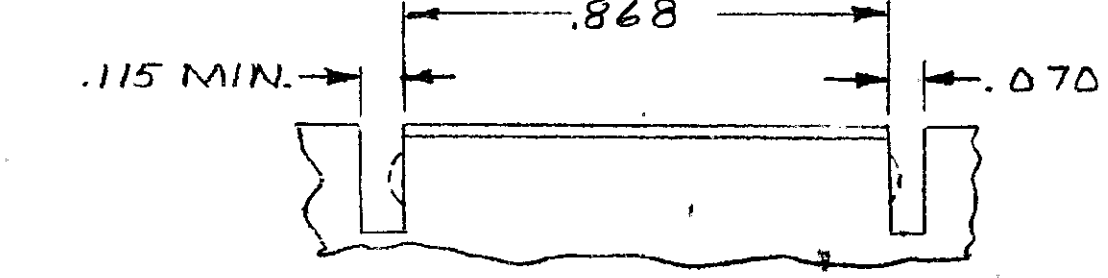
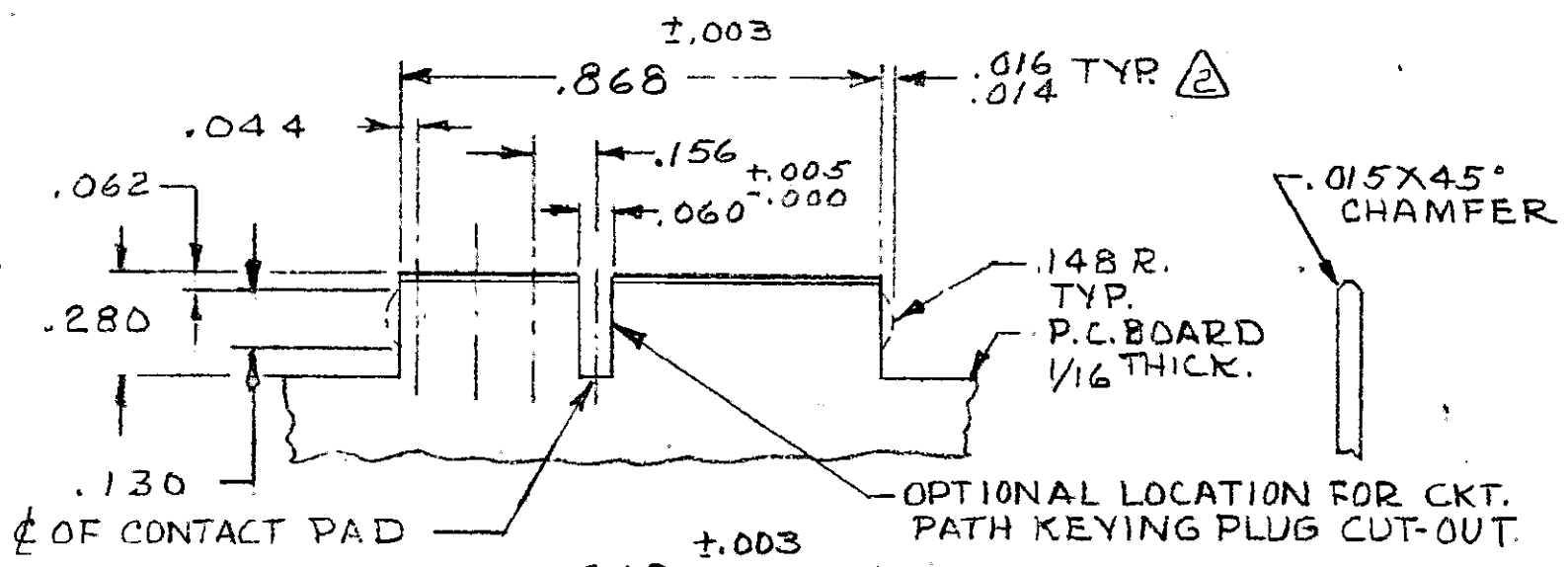
REVISIONS				
ZONE	LTR	DESCRIPTION	DATE	APPROVED
	G1	REDRAWN WITHOUT CHANGE 3388 DR	2-9-72	D.H.
	H	REVISED 3535	6-8-72	M.S. D.H.
	H1	OBS -6 AD 1097 AD	2-7-80	RL
	J	REV 1 AD 1746	6-81	H.W.R.
	K	REV 1 AD 1840, OBS-2, -3 & -4	3-88	H.W.R.
	L	REV PER AD 3589	9/88	MM
	M	REV PER 0010-1143-95	11-95	P.B.
	N	REV PER EC 0G3C-233-01	03OCT01	MM

PART NO.	COLOR
582371-1	BROWN
582371-2	RED
582371-3	ORANGE
582371-4	YELLOW
582371-5	GREEN
582371-6	BLUE
582371-7	VIOLET
582371-8	GRAY
582371-9	NATURAL
1-582371-0	BLACK

OBSOLETE



1. REFER TO 60215 & 583284 FOR TERMINAL
 2. THE RETAINING DIMPLES ARE OPTIONAL IN BOTH CUT-OUTS.



OPTIONAL CUT-OUTS

UNLESS OTHERWISE SPECIFIED, DIMENSIONS ARE IN INCHES TOLERANCES ON : DECIMALS ±.005 ANGLES ±	CONTRACT NO.	AMP INCORPORATED HARRISBURG, PENNSYLVANIA	
	DR	AMP	
	CHK	NAME	
	APPD	HOUSING, DUO-TYNE FLAG, 6 POSITION.	
MATERIAL	REL	SIZE	CODE IDENT NO. NUMBER
NYLON	DSGN APPD	C	00779 582371
	OTHER APPD	SCALE 4-1	SHEET 1 OF 1

CUSTOMER DRAWING

NUMBER 582371