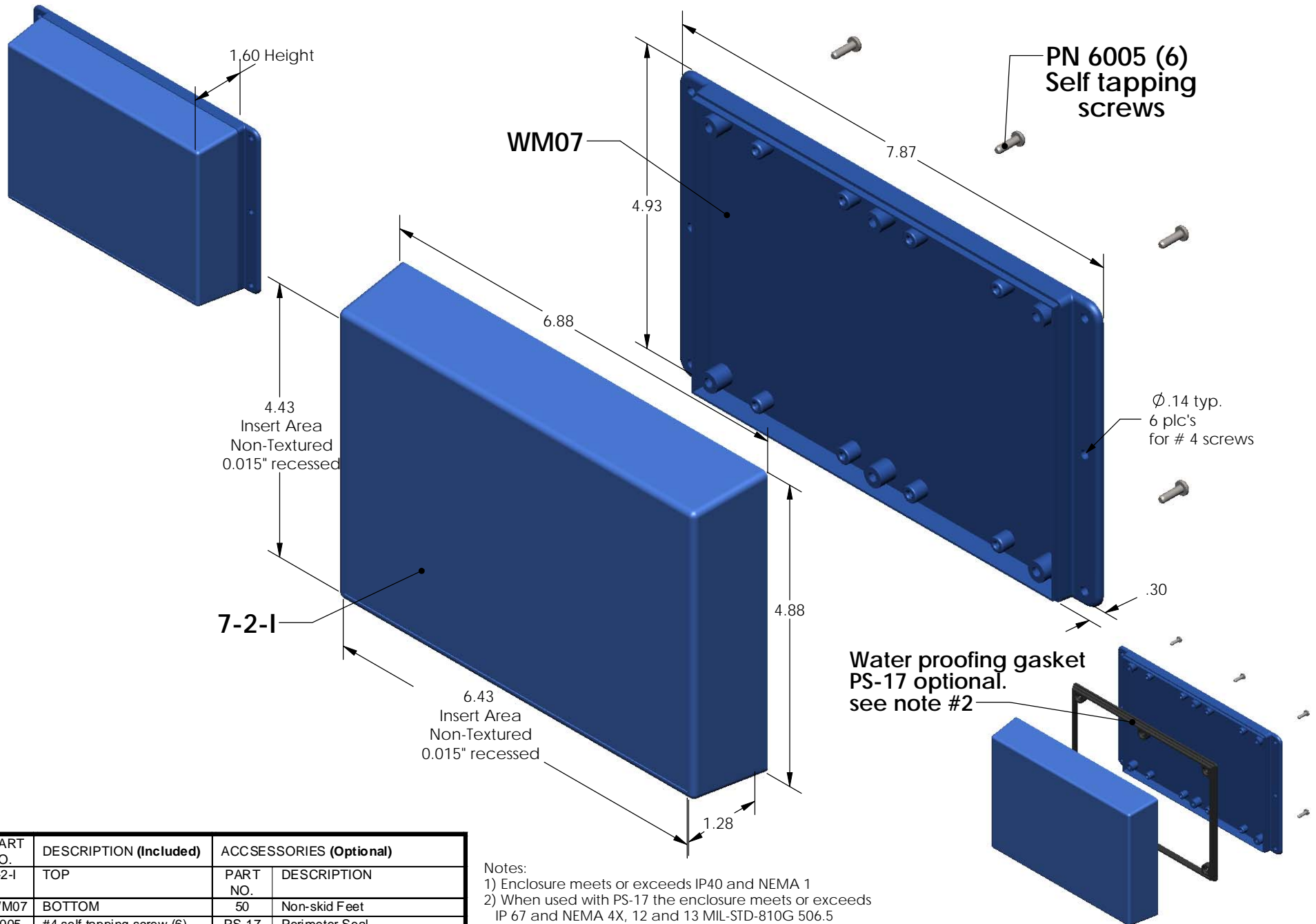


# SERPAC WM072-1 (exploded isometric)

Electronic Enclosures



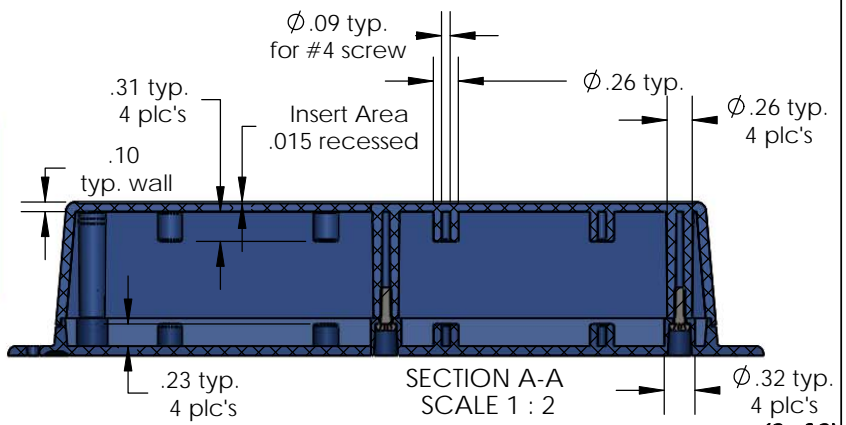
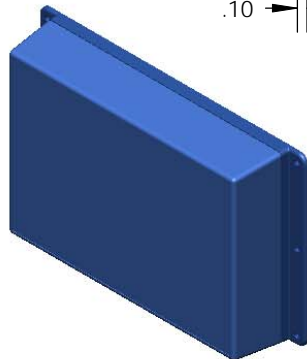
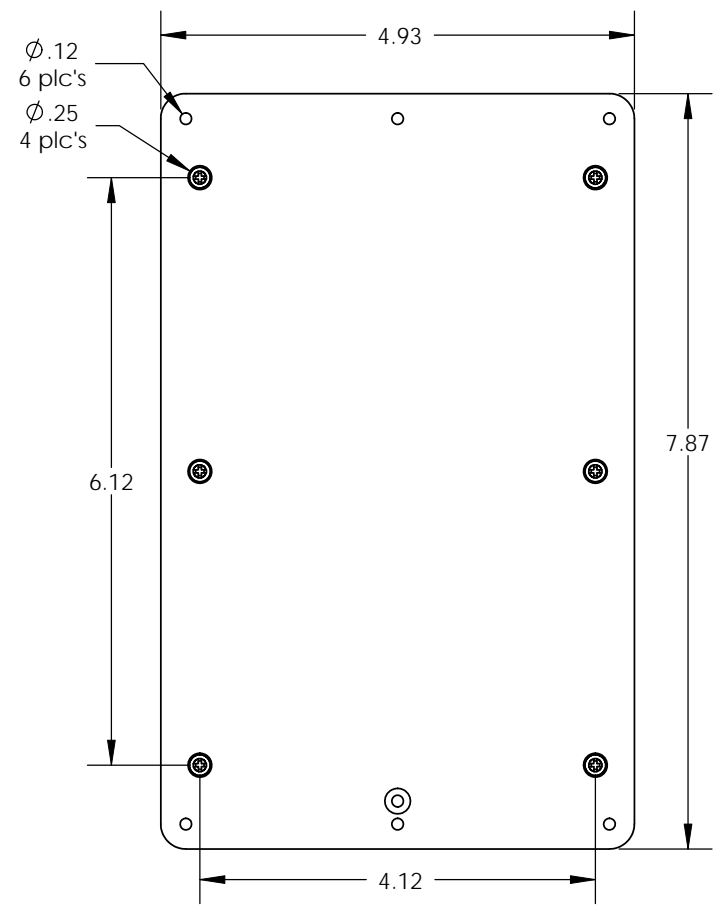
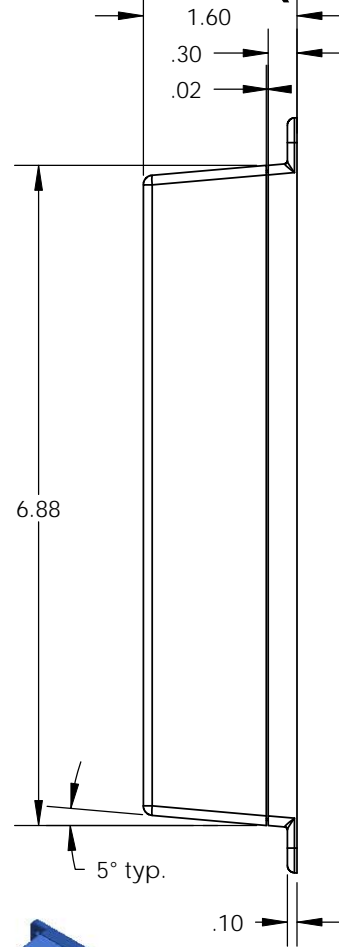
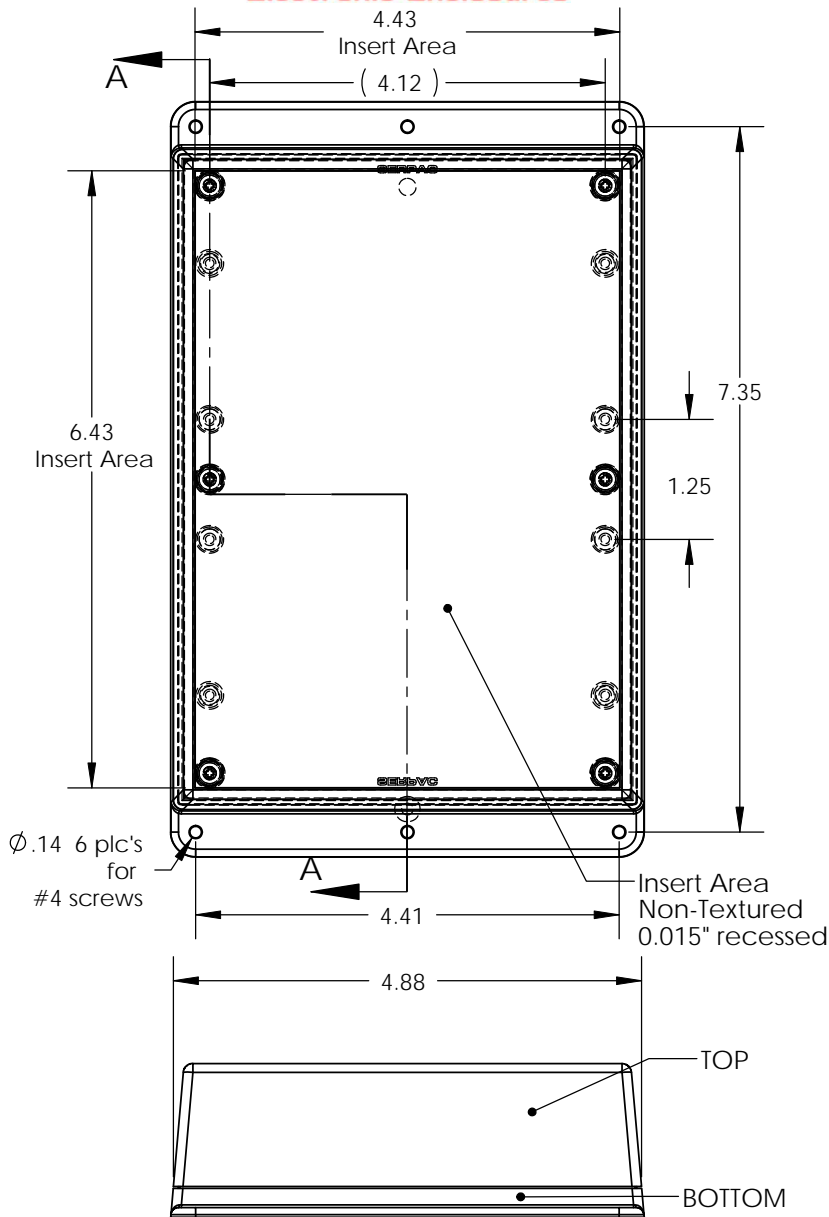
PART NO.	DESCRIPTION (Included)	ACCESSORIES (Optional)	
7-2-1	TOP	PART NO.	DESCRIPTION
WM07	BOTTOM	50	Non-skid Feet
6005	#4 self tapping screw (6)	PS-17	Perimeter Seal

- Notes:
- 1) Enclosure meets or exceeds IP40 and NEMA 1
  - 2) When used with PS-17 the enclosure meets or exceeds IP 67 and NEMA 4X, 12 and 13 MIL-STD-810G 506.5
  - 3) Circuit Board drawings can be download at: <http://www.serpac.com/Accessories/CircuitBoard/drawings/370-470.pdf>
  - 4) All components are RoHS Compliant.

ALL DIMENSIONS ARE ±.010" 6/03/09 (1 of 2)  
 619 Commercial Ave. Covina, CA 91723  
 Ph. (626) 331-0517 Fx. (626) 331-8584 serpac.com

# SERPAC WM072-1 (user print)

Electronic Enclosures



SECTION A-A  
SCALE 1 : 2

PART NO.	DESCRIPTION (Included)	ACCESSORIES (Optional)	
7-2-1	TOP	PART NO.	DESCRIPTION
WM07	BOTTOM	50	Non-skid Feet
6005	#4 self tapping screw (6)	PS-17	Perimeter Seal

- Notes:
- 1) Enclosure meets or exceeds IP40 and NEMA 1
  - 2) When used with PS-17 the enclosure meets or exceeds IP 67 and NEMA 4X, 12 and 13 MIL-STD-810G 506.5
  - 3) Circuit Board drawings can be download at: <http://www.serpac.com/Accessories/CircuitBoard/drawings/370-470.pdf>
  - 4) All components are RoHS Compliant.

ALL DIMENSIONS ARE ± .010" 6/03/09 (2 of 2)  
619 Commercial Ave. Covina, CA 91723  
Ph. (626) 331-0517 Fx. (626) 331-8584 www.serpac.com